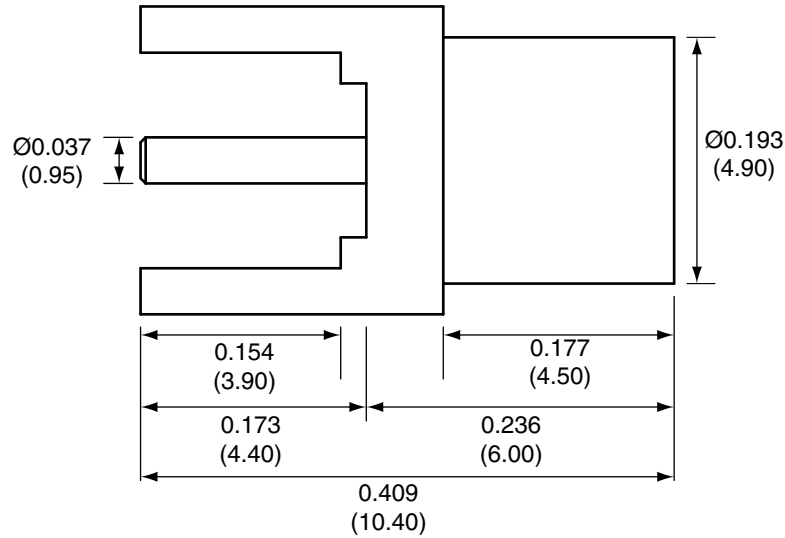


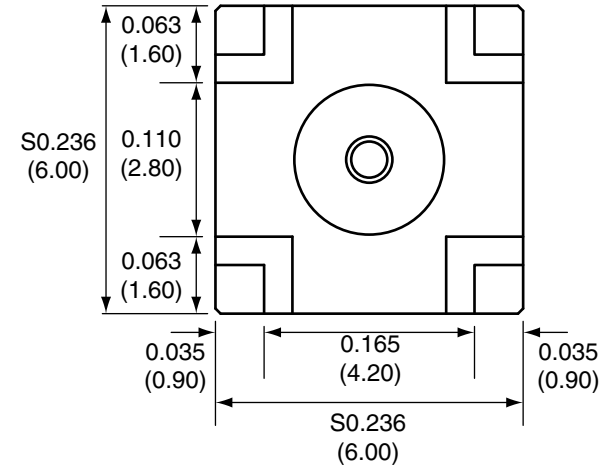
| Description | Material | Finish |
|-------------|----------|--------|
| Body        | Brass    | Gold   |
| Socket      | BE CU    | Gold   |
| Insulation  | PTFE     | N/A    |

| REVISIONS |   |           |      |
|-----------|---|-----------|------|
| REV       | DESCRIPTION   | DATE      | APPV |
| B         | Updated footprint and dimensions; Added new title block | 11-JUL-12 | SAH  |

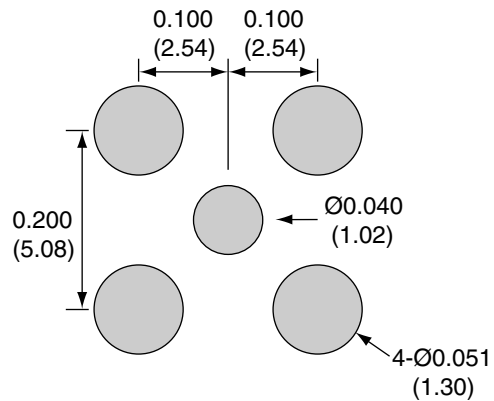
SIDE VIEW



BOTTOM VIEW



RECOMMENDED FOOTPRINT



NOTES: (UNLESS OTHERWISE SPECIFIED)

1. ALL DIMENSIONS ARE IN INCHES [mm].
2. DIMENSIONS APPLY AFTER FINISHING.
3. MANUFACTURE TO BE COMPLIANT WITH EU RoHS DIRECTIVE.
4. SAFETY BREAK ALL SHARP CORNERS AND EDGES .02 MAXIMUM.

WARNING: THIS DRAWING CONTAINS PROPRIETARY INFORMATION THAT IS THE SOLE PROPERTY OF LINX TECHNOLOGIES, AND SHALL BE TREATED AS SUCH. NO DISCLOSURE OR REPRODUCTION OF THIS DOCUMENT IS PERMITTED, IN WHOLE OR IN PART, WITHOUT THE EXPRESS WRITTEN PERMISSION OF LINX TECHNOLOGIES OR ITS DESIGNATED AGENTS.

|           |  |                 |
|-----------|--|-----------------|
| MATERIAL: | TOLERANCES:<br>.020 [0.50]-.200 [5.00]= ±.008 [0.20]<br>.200 [5.00]-1.200 [30.00]= ±.016 [0.40]<br>1.20 [30.0]-4.75 [120.0]= ±.024 [0.60]<br>4.75 [120.0]-12.40 [315.0]= ±.040 [1.0] | PROJECTION:<br> |
| FINISH:   | DRAWN: B.MURPHY  | DT: 11-JUL-12   |
|           | ENGR: S.HOGAN  | DT: 11-JUL-12   |

|                                |                       |                                  |  |
|--------------------------------|-----------------------|----------------------------------|--|
| <b>Linx</b>                    |                       | 159 ORT LANE<br>MERLIN, OR 97532 |  |
| TITLE:<br>MCX FEMALE PCB MOUNT |                       |                                  |  |
| SIZE<br><b>A</b>               | DWG. NO.<br>CONMCX001 | REV<br><b>B</b>                  |  |
| SCALE: 2:1                     | DO NOT SCALE DRAWING  | SHEET 1 OF 1                     |  |

# Mouser Electronics

Authorized Distributor

Click to View Pricing, Inventory, Delivery & Lifecycle Information:

[Linx Technologies:](#)

[CONMCX001](#)