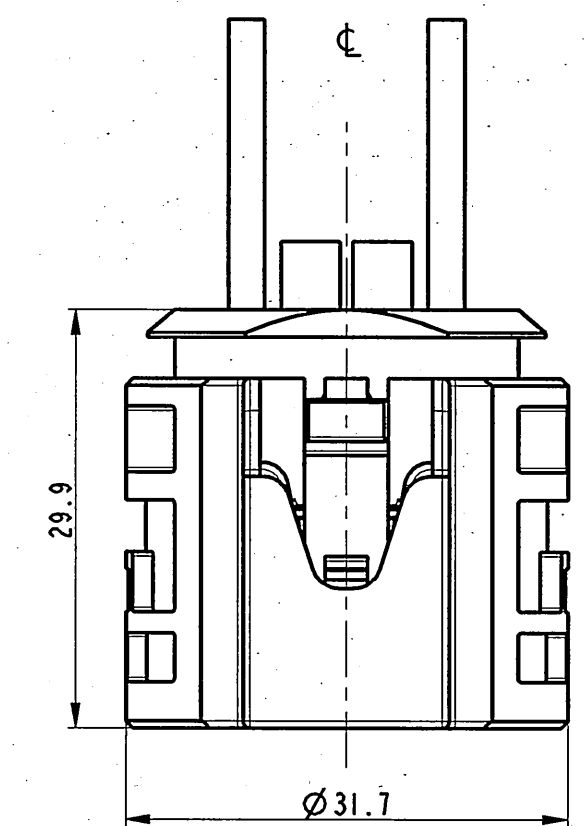
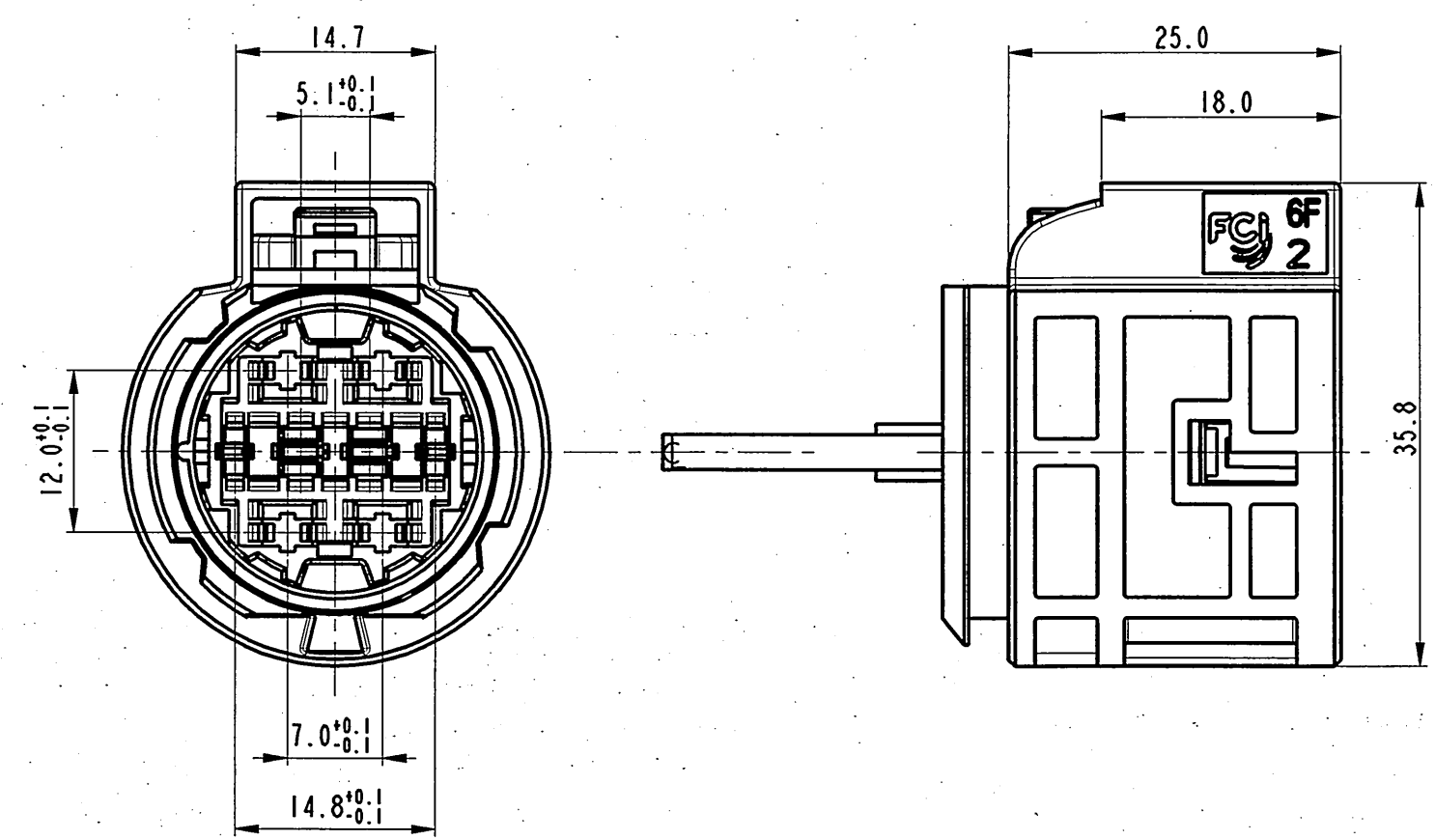


**STRICTLY CONFIDENTIAL**

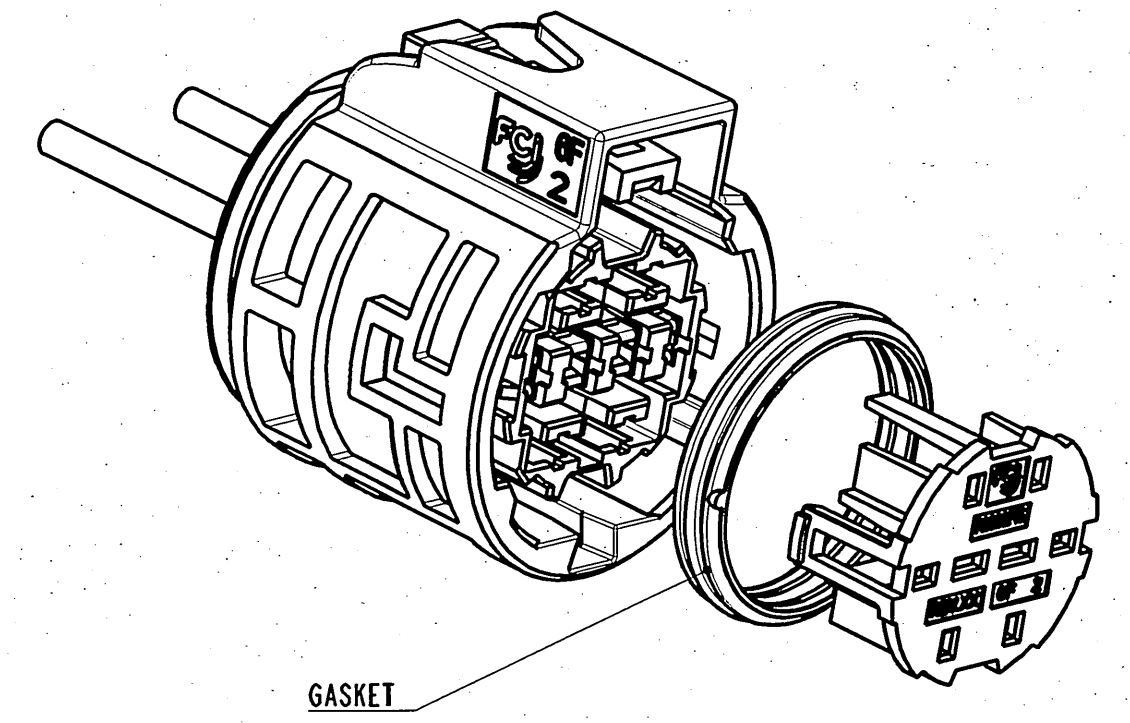
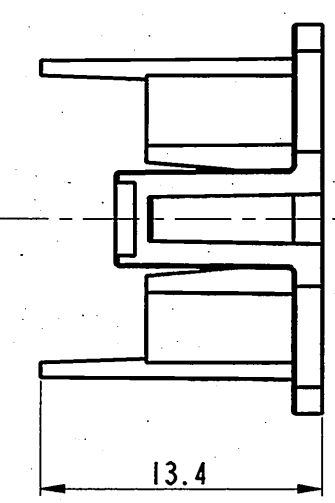
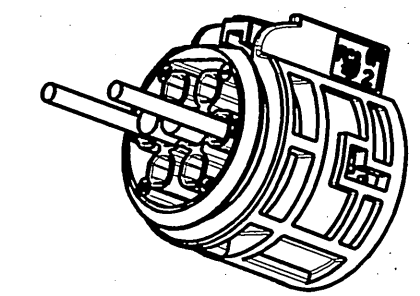
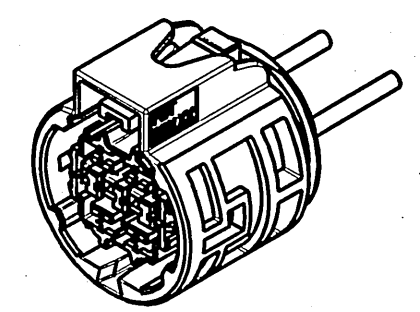
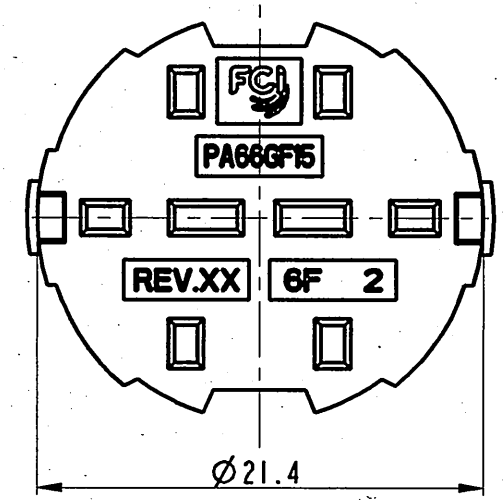
| ASSEMBLY FEMALE                                    |                           |
|----------------------------------------------------|---------------------------|
| HOUSING                                            | material PBT              |
| GASKET                                             | material LSR - colour RED |
| <b>BLACK COLOUR (colore nero)</b>                  |                           |
| <b>8 way</b>                                       |                           |
| MECHANICAL POLARIZATION (polarizzazione meccanica) |                           |
|                                                    | SCALE 1:1                 |
| P/N                                                | 17260805                  |

| ASSEMBLY FEMALE                                    |                           |
|----------------------------------------------------|---------------------------|
| HOUSING                                            | material PBT              |
| GASKET                                             | material LSR - colour RED |
| <b>BROWN COLOUR (colore marrone)</b>               |                           |
| <b>5 way</b>                                       |                           |
| MECHANICAL POLARIZATION (polarizzazione meccanica) |                           |
|                                                    | SCALE 1:1                 |
| P/N                                                | 17260815                  |

| ASSEMBLY FEMALE                                    |                           |
|----------------------------------------------------|---------------------------|
| HOUSING                                            | material PBT              |
| GASKET                                             | material LSR - colour RED |
| <b>GREEN COLOUR (colore verde)</b>                 |                           |
| <b>4 way</b>                                       |                           |
| MECHANICAL POLARIZATION (polarizzazione meccanica) |                           |
|                                                    | SCALE 1:1                 |
| P/N                                                | 17260855                  |



| SECONDARY LOCK FEMALE |                              |
|-----------------------|------------------------------|
| MATERIAL (materiale)  | PA66-GF15%                   |
| COLOUR (colore)       | VIOLET COLOUR (colore viola) |
| P/N                   | 17260879                     |



GASKET  
SEC-LOCK

THE SEC-LOCK IS SUPPLIED SEPARATELY  
IL SEC-LOCK VIENE FORNITO SEPARATAMENTE

| CAVITY SUITABLE FOR TERMINAL              | WIRE SIZE (mm <sup>2</sup> ) | P/N SWS COLOUR     | P/N CAVITY PLUG COLOUR |
|-------------------------------------------|------------------------------|--------------------|------------------------|
| SICMA3 FEMALE 1.5 (T3)<br>P/N 211CC2S0161 | 0.35                         | 211M0007<br>YELLOW | 211M0012<br>WHITE      |
| SICMA3 FEMALE 1.5 (T3)<br>P/N 211CC2S1161 | 0.50 - 0.75                  |                    |                        |
| SICMA3 FEMALE 1.5 (T3)<br>P/N 211CC2S4161 | 1.0                          | 211M0008<br>GREEN  | 211M0013<br>WHITE      |
| SICMA3 FEMALE 1.5 (T3)<br>P/N 211CC2S2161 | 1.5                          |                    |                        |
| SICMA2 FEMALE 2.8 (T3)<br>P/N 17062000    | 0.35 - 0.75                  | 211M0009<br>RED    | 211M0010<br>BLUE       |
| SICMA2 FEMALE 2.8 (T3)<br>P/N 17062010    | 1.0 - 2.5                    |                    |                        |

|                                             |                                         |                                            |                                                                                                                                                                                                                              |                        |                                                                                                                                                                                                                                 |
|---------------------------------------------|-----------------------------------------|--------------------------------------------|------------------------------------------------------------------------------------------------------------------------------------------------------------------------------------------------------------------------------|------------------------|---------------------------------------------------------------------------------------------------------------------------------------------------------------------------------------------------------------------------------|
| 01-09                                       | 02/02/2009                              | 02-R                                       | RELEASED FOR PRODUCTION<br>Mould revision not necessary                                                                                                                                                                      |                        |                                                                                                                                                                                                                                 |
| 92/06                                       | 12/12/06                                | 02                                         | UPDATED MODEL DRAWING AND NOTES                                                                                                                                                                                              |                        | FP MC                                                                                                                                                                                                                           |
|                                             | 23/06/06                                | 01                                         | UPDATED MODEL DRAWING AND NOTES                                                                                                                                                                                              |                        | FP MC                                                                                                                                                                                                                           |
| ECH-NO.<br>NUMERO - FCH                     | DATE<br>DATA                            | DD / MM / YY                               | REVISIONE                                                                                                                                                                                                                    | POSIZIONE              | CHANGE DESCRIPTION<br>DESCRIZIONE MODIFICA                                                                                                                                                                                      |
| PRODUCT SPEC.<br>SPEC. DI PRODOTTO          | PACKAGING SPEC.<br>SPEC. DI IMBALLAGGIO | APPLICATION SPEC.<br>SPEC. DI APPLICAZIONE | THIS DRAWING AND ALL OTHER INFORMATION CONTAINED THEREIN IS PROPRIETARY AND THE PROPERTY OF FCI. This drawing may not be copied, reproduced or disclosed to any third party without the expressed written permission of FCI. |                        | QUESTO DISEGNO ED OGNI ALTRA INFORMAZIONE IN ESSO CONTENUTA SONO ESCLUSIVAMENTE DELLA PROPRIETA' DELLA FCI. Questo disegno non puo' essere copiato, riprodotto o divulgato a terzi senza l'espresso consenso scritto della FCI. |
| IPS 310                                     |                                         | IPS 311                                    |                                                                                                                                                                                                                              |                        |                                                                                                                                                                                                                                 |
| TOLERANCES<br>TOLLERANZE                    | ±0.3mm / ±1°                            | MATERIAL:<br>MATERIALE:                    | SURFACE FINISH<br>FINITURA SUPERFICIALE                                                                                                                                                                                      |                        | CAD SYSTEM                                                                                                                                                                                                                      |
| COUNTERPART N°.<br>CONTROPARTE N°.          |                                         | SEE TABLE                                  |                                                                                                                                                                                                                              |                        | ISO PROJECTION<br>PROIEZIONE ISO                                                                                                                                                                                                |
| DO NOT SCALE DRAWING<br>DISEGNO FUORI SCALA |                                         | TOOL NO.                                   | LOC. CODE<br>NAZIONALITA'                                                                                                                                                                                                    |                        | pro / eng.                                                                                                                                                                                                                      |
| DATE<br>DATA                                | 12/04/06                                | NAME<br>NOME                               | TITLE<br>DESCRIZIONE                                                                                                                                                                                                         |                        | DWG SIZE<br>FORMATO                                                                                                                                                                                                             |
| DRAWN BY<br>DISEGNATORE                     | G.STELLA                                |                                            | DRAWING NUMBER<br>NUMERO DISEGNO                                                                                                                                                                                             |                        | A2                                                                                                                                                                                                                              |
| CHECKED BY<br>CONTROLLATO                   |                                         |                                            | ASSEMBLY FEMALE<br>8 WAY SEALED CONNECTOR                                                                                                                                                                                    |                        | SHEET<br>FOGLIO                                                                                                                                                                                                                 |
| APPROVED BY<br>APPROVATO                    | 12/04/06                                | ESR NO.<br>NUMERO ESR                      | EU-060274                                                                                                                                                                                                                    | FILE NAME<br>NOME FILE | 1-1                                                                                                                                                                                                                             |
|                                             |                                         | CAT. NO.<br>NUMERO CAT.                    | SEE TABLE                                                                                                                                                                                                                    | FSD 309914             | SCALE<br>SCALA                                                                                                                                                                                                                  |
|                                             |                                         |                                            |                                                                                                                                                                                                                              | fsd309914-1.1-02       | 2:1                                                                                                                                                                                                                             |

# Mouser Electronics

Authorized Distributor

Click to View Pricing, Inventory, Delivery & Lifecycle Information:

[Aptiv:](#)

[17260805](#) [17260805-B](#)