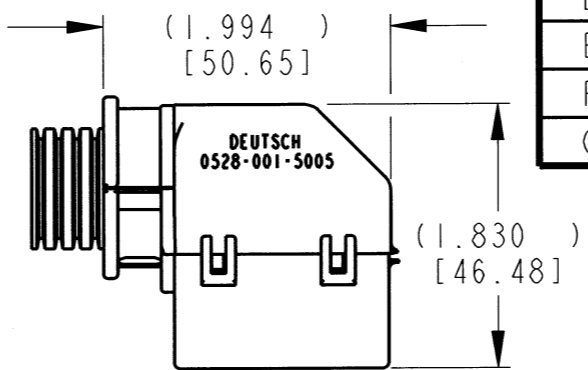
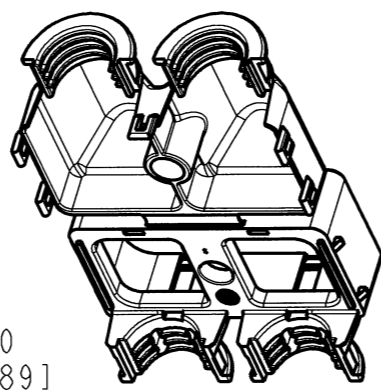
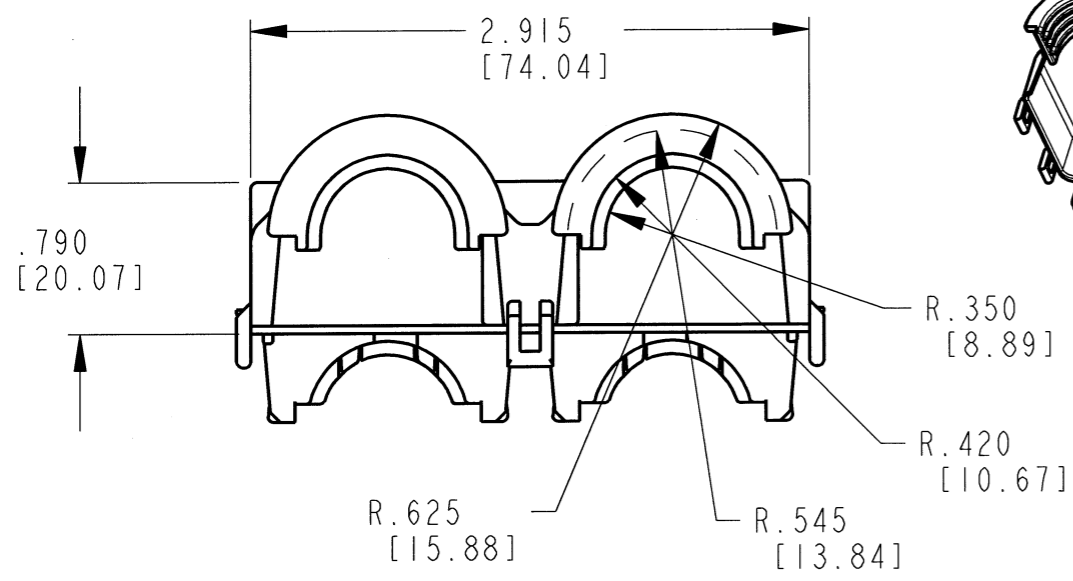
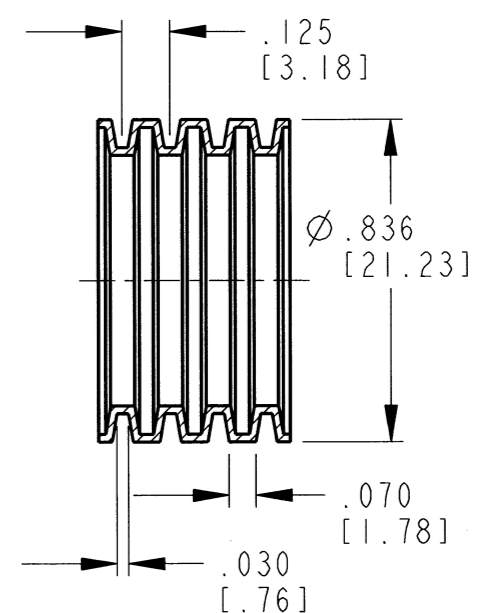


REV  
G 0528-001-5005

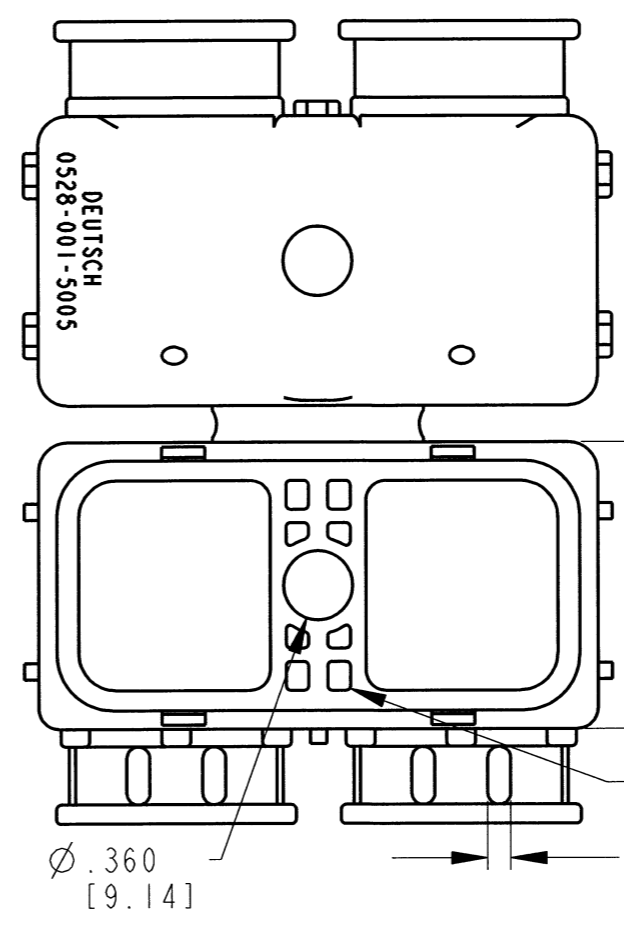
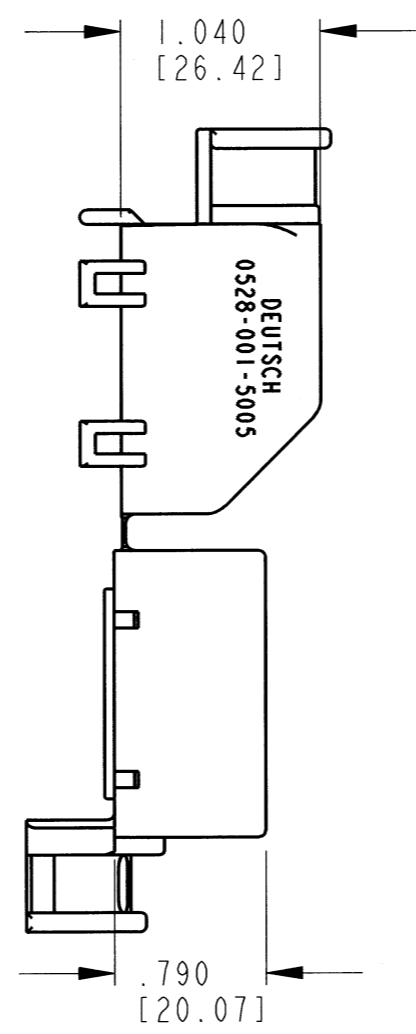
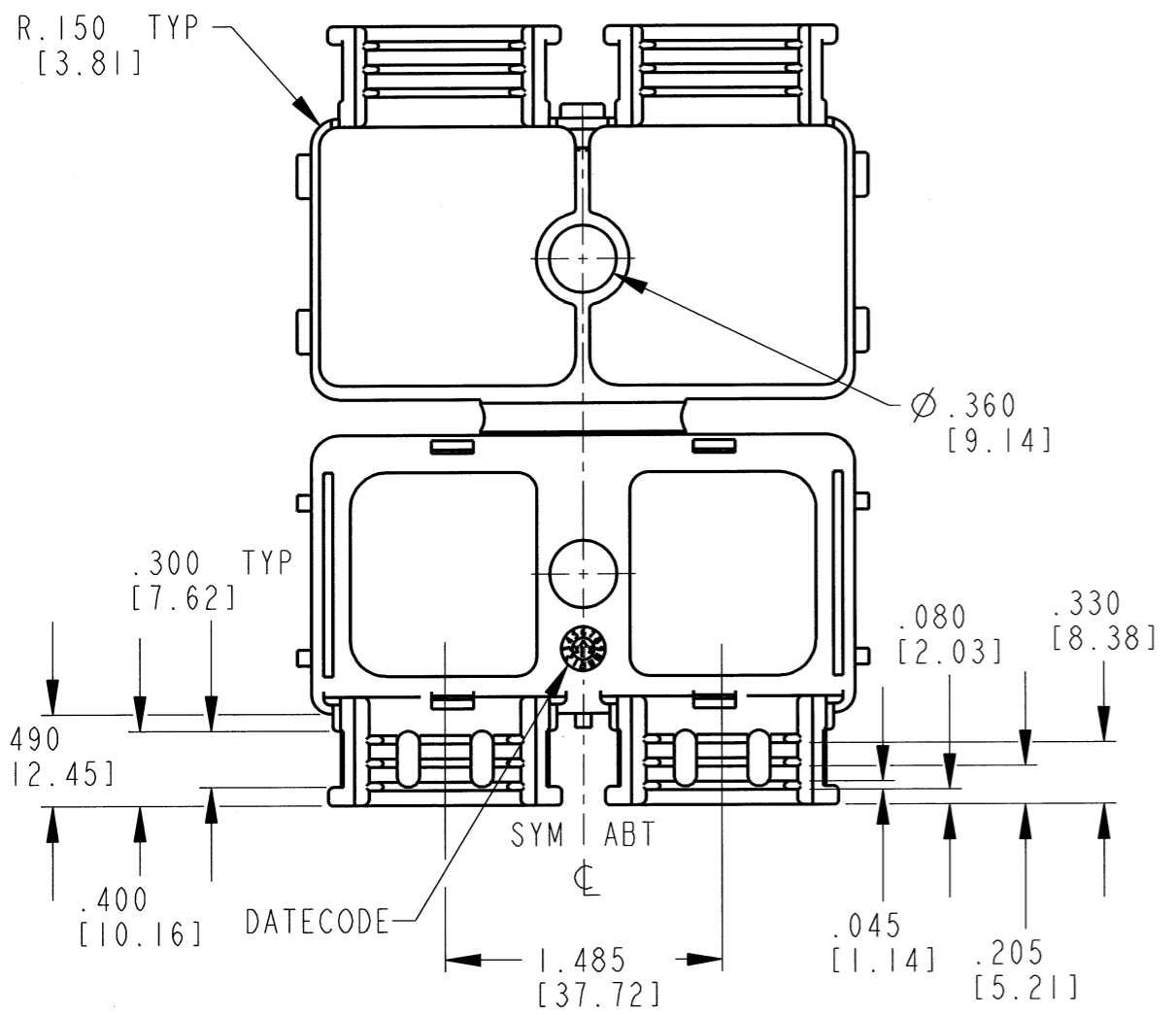
REVISIONS			
SYM	DESCRIPTION	DATE	APPROVED
D	REVISED PER E.O. P20381	11-23-09	R.D.R.
E	REVISED PER E.O. P20417	1-8-10	R.D.R.
F	REVISED PER E.O. P21186	1-3-12	R.D.R.
G	REVISED PER E.O. P21455	12/13/12	DM



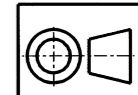
BACKSHELL CLOSED



RECOMMENDED  
CONVOLUTE TUBING  
DIMENSIONS ARE FOR  
REFERENCE ONLY  
CUSTOMER SUPPLIED



OPTIONAL FEATURES TYP



- NOTES:
1. DIMENSIONAL TOLERANCE: ±.025 [.63].
  2. ALL DIMENSIONS ARE INCHES [mm].
  3. THIS PART SNAPS ONTO DRC26-50S01 THROUGH DRC26-50S10.

SIGNATURE & DATE	
DR	D. MEYER 08/29/97
CHK	Jaimie C. Apostol 12/10/12
PE	D. Hasibuan 12/10/12
APPD	D. Meyer 12/13/12
SCALE	NONE WP 35g

90° BACKSHELL  
FOR 50 PIN PLUG  
SIZE 20 CNT  
DRC SERIES

ENVELOPE

EP 002	MATL. CODE
3850 INDUSTRIAL AVE. HEMET, CA 92545	
<b>B 0528-001-5005</b>	
DWG SIZE	SHEET   OF

# Mouser Electronics

Authorized Distributor

Click to View Pricing, Inventory, Delivery & Lifecycle Information:

[TE Connectivity:](#)

[0528-001-5005](#)