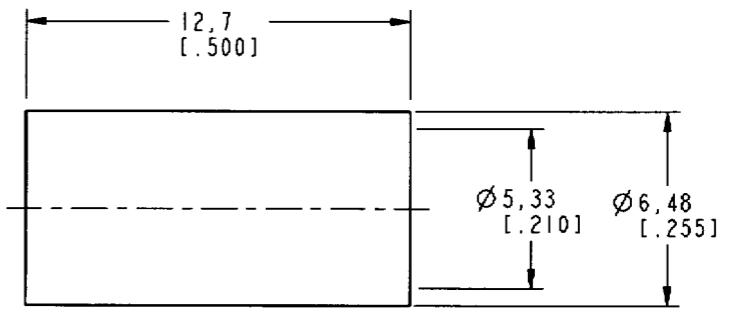
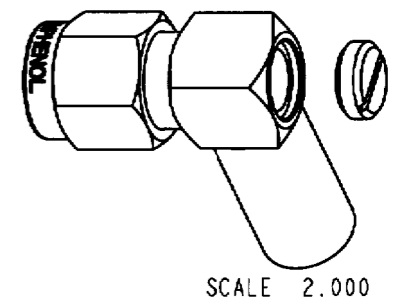
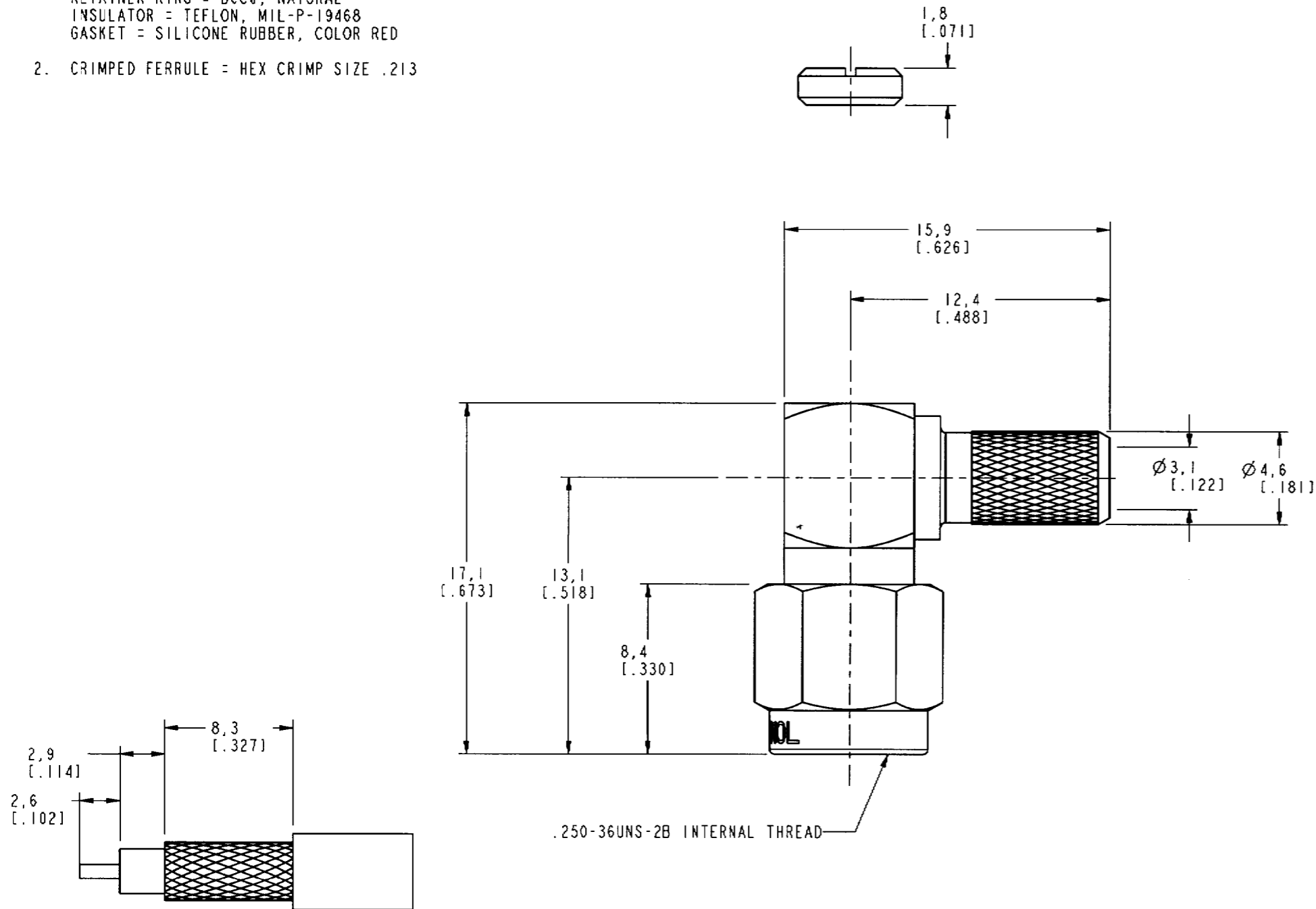


NOTES:

- MATERIALS OF CONSTRUCTION:
 SHELL, HOUSING W/ BARREL & COVER = BRASS, NICKEL PLATED
 FERRULE = COPPER, NICKEL PLATED
 CONTACT PIN = BRASS, GOLD PLATED
 RETAINER RING = BeCu, NATURAL
 INSULATOR = TEFLON, MIL-P-19468
 GASKET = SILICONE RUBBER, COLOR RED
- CRIMPED FERRULE = HEX CRIMP SIZE .213

901-9880-RFX		REVISIONS		
DRAWING NO.	REV	DESCRIPTION	DATE	ECO
THIRD ANGLE PROJ.	A	RELEASE TO MFG.	1-25-01	43650
				CPM



RECOMMENDED CABLE STRIPPING DIMENSIONS
SCALE 3.000

CUSTOMER OUTLINE DRAWING
FOR REFERENCE ONLY

UNLESS OTHERWISE SPECIFIED, DIMENSIONS ARE IN INCHES AND TOLERANCES ARE: 0.5 - 6mm ±0.2mm 6 - 30mm ±0.4mm 30 - 120mm ±0.6mm	MATERIAL	DRAWN C. McGRATH	DATE 08-Jan-01	TITLE SMA R/A CRIMP PLUG (FOR RG-58C/U, 58/U CABLES)	Amphenol Amphenol Corporation Communication and Network Products Division Danbury, CT U.S.A. 06810
	REFERENCE	ENGINEER O. BARTHELMES	DATE 08-Jan-01		
NOTICE - These drawings, specifications, or other data (1) are, and remain the property of Amphenol Corp. (2) must be returned upon request; and (3) are confidential and not to be disclosed to any person other than those to whom they are given by Amphenol Corp. The furnishing of these drawings, specifications, or other data by Amphenol Corp., or to any other person to anyone for any purpose is not to be regarded by implication or otherwise in any manner licensing, granting rights or permitting such holder or any other person to manufacture, use or sell any product, process or design, patented or otherwise, that may in any way be related to or disclosed by said drawings, specifications, or other data.	EAR# 967698-0 GEN# 901-9881-RFX_ASSY	APPROVED <i>[Signature]</i>	DATE 1/45/01	SCALE: 4.0:1	SHEET 2 OF 2
		CAD FILE I:\SMA\901-9880-RFX	CODE ID 74868	DWG SIZE B	DRAWING NO. 901-9880-RFX

Mouser Electronics

Authorized Distributor

Click to View Pricing, Inventory, Delivery & Lifecycle Information:

[Amphenol:](#)

[901-9880-RFX](#)