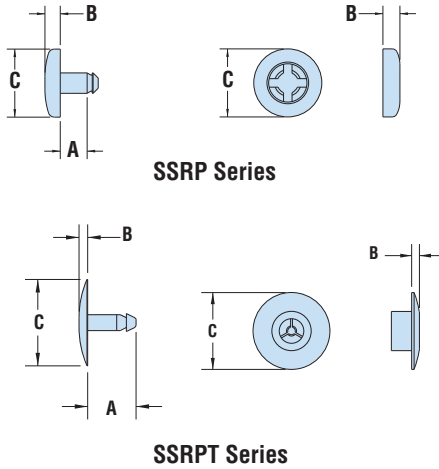


“Stay Connected with” HEYware



HEYClip™ Shorty Snap Rivets

Two Piece Snap Together Rivets

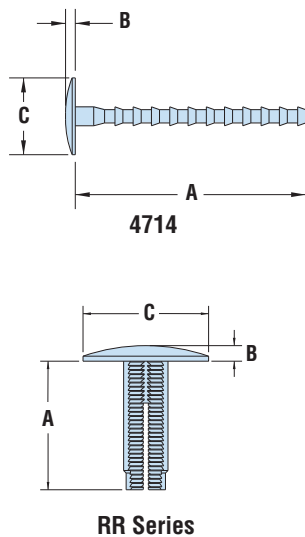


WILL FIT THESE PANELS				PART NO.	DESCRIPTION	PART DIMENSIONS						STYLE
MOUNTING HOLE DIA.		ASSEMBLED PANEL THICKNESS				A Length	B Head Height		C Head Diameter			
in.	mm.	in.	mm.	Natural			in.	mm.	in.	mm.	in.	mm.
SSRP Series - Pin fits a .125" (3,2 mm) diameter hole												
.125	3,2	.030	0,8	4064	SSRP-030	.06	1,6	.09	2,3	.40	10,2	1
		.062	1,6	4065	SSRP-062	.10	2,4					
		.100	2,5	4069	SSRP-100	.13	3,4					
		.125	3,2	4071	SSRP-125	.16	4,0					
		.187	4,8	4073	SSRP-187	.22	5,6					
		.250	6,4	4075	SSRP-250	.28	7,2					
FEMALE CAP for the above parts				4077	SSRC	n/a	.10	2,5	.40	10,2	2	
SSRPT Series - Cap fits a .320" (8,1 mm) diameter hole												
.320	8,1	.170 - .190	4,3 - 4,8	4715	SSRPT-190	.21	5,3	.06	1,6	.40	10,2	3
		.220 - .240	5,6 - 6,1	4716	SSRPT-220	.26	6,6					
		.320 - .340	8,1 - 8,6	4717	SSRPT-340	.35	8,9					
		.320 - .600	8,1 - 15,2	4718	SSRPT-600	.63	16,0					
		ADJUSTABLE		4714	SSRPT-ADJ	1.50	38,1					
FEMALE CAP for the above parts				4719	SSRCT	n/a	.06	1,6	.63	15,9	5	

Standard color natural.



HEYClip™ Ratchet Rivets



WILL FIT THESE PANELS				PART NO.	DESCRIPTION	PART DIMENSIONS													
MOUNTING HOLE DIA.		ASSEMBLED PANEL THICKNESS				A Length	B Head Height		C Head Diameter										
		Min.	Max.	Natural			in.	mm.	in.	mm.	in.	mm.							
RR Series																			
.281	7,1	.235	6,0	.297	7,5	12480	RR 0297-41	.23	5,7	.06	1,6	.41	10,3						
		.345	8,8	.500	12,7	12481	RR 0500-41	.34	8,7										
		.500	12,7	.813	20,7	12482	RR 0813-41	.49	12,4										
		.780	19,8	1.375	34,9	12483	RR 1375-41	.77	19,5										
		.235	6,0	.298	7,6	12484	RR 0298-75	.23	5,7										
		.345	8,8	.500	12,7	12485	RR 0500-75	.34	8,7										
		.500	12,7	.812	20,6	12486	RR 0812-75	.49	12,4										
		.780	19,8	1.375	34,9	12487	RR 1375-75	.77	19,5										
				.235	6,0	.298	7,6	12484	RR 0298-75					.23	5,7	.09	2,4	.75	19,1
				.345	8,8	.500	12,7	12485	RR 0500-75					.34	8,7				

Standard color natural.

Quick Specs

Material Nylon 6/6
 Flammability Rating 94 V-2
 Temperature Range 32°F (0°C) to 185°F (85°C)

Mouser Electronics

Authorized Distributor

Click to View Pricing, Inventory, Delivery & Lifecycle Information:

[Heyco:](#)

[4714](#) [4718](#) [12483](#) [4716](#) [4717](#) [12481](#) [12484](#) [12487](#) [12485](#) [12486](#) [4715](#) [12482](#) [12480](#) [4077](#) [4069](#) [4065](#) [4064](#)
[4075](#) [4071](#) [4073](#) [4719](#) [1248](#) [1248-P](#)