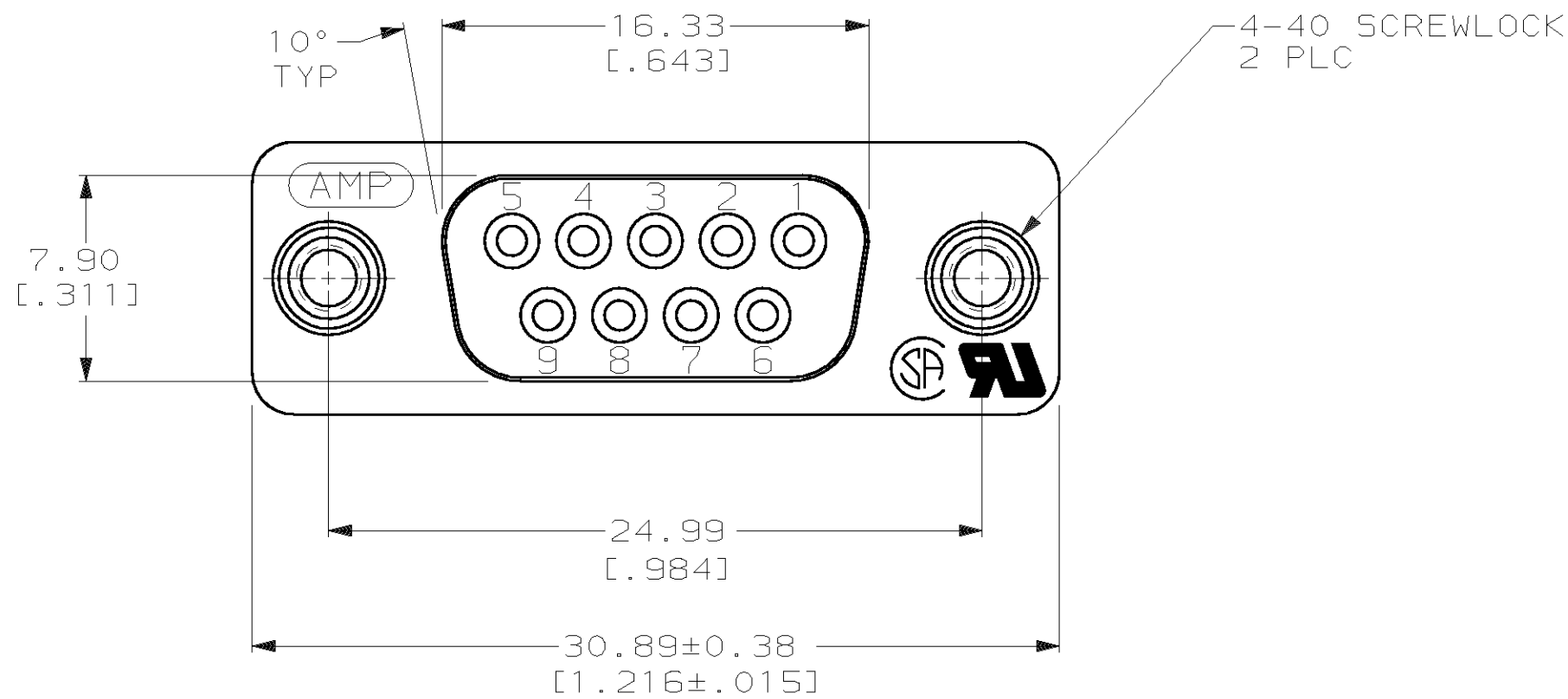
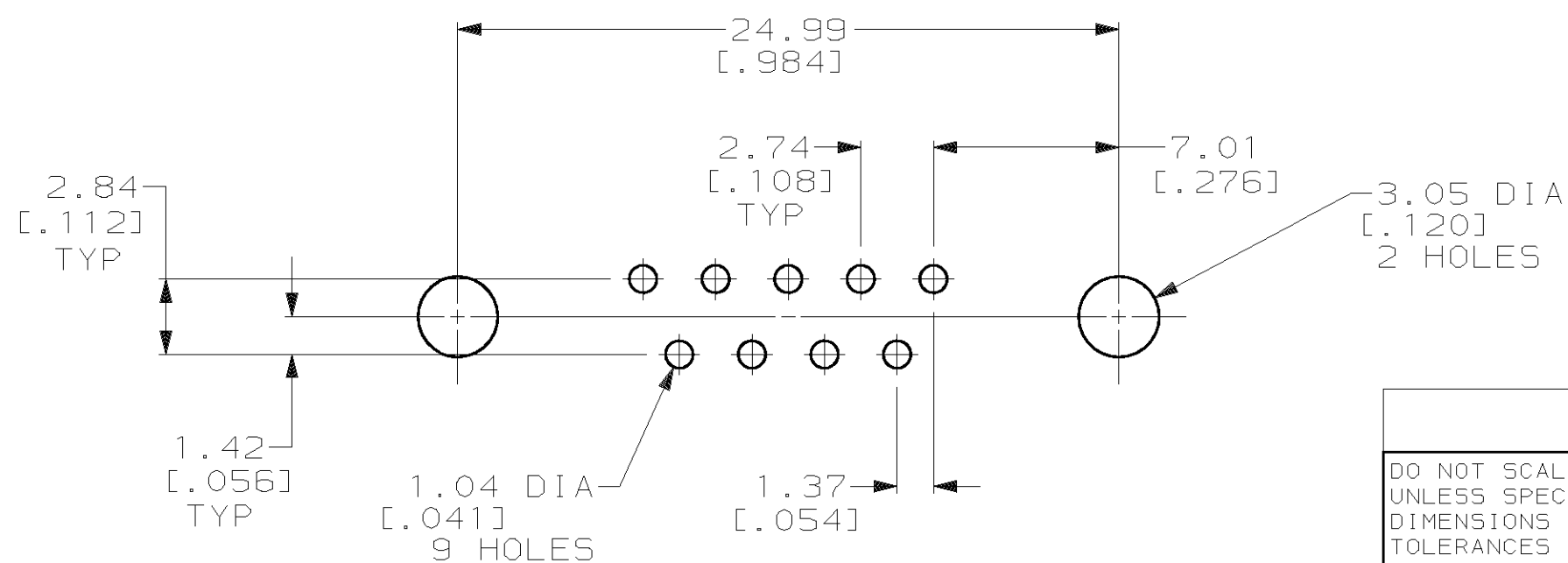
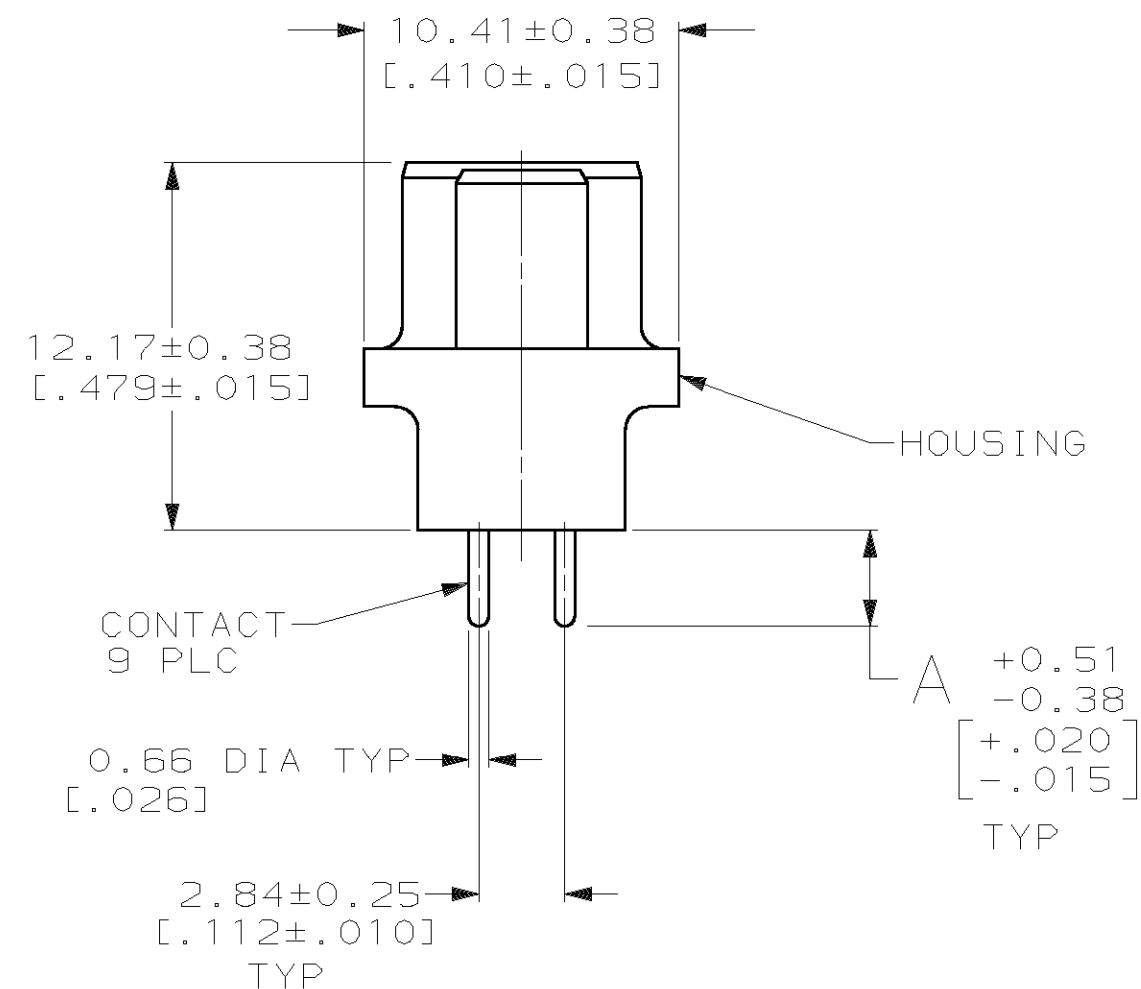
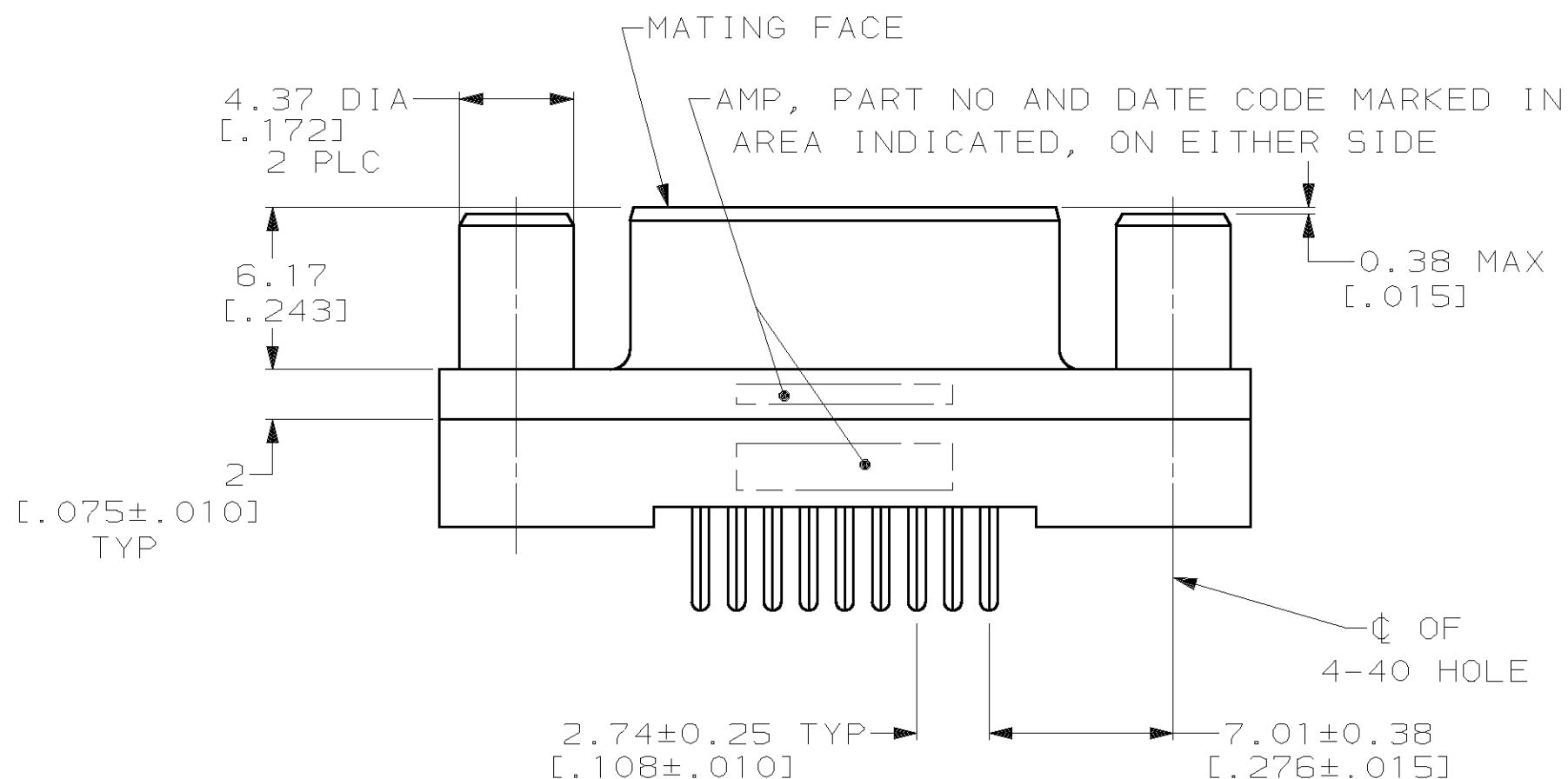


THIS DRAWING IS UNPUBLISHED. RELEASED FOR PUBLICATION
 © COPYRIGHT 19 BY AMP INCORPORATED. ALL INTERNATIONAL RIGHTS RESERVED.

LOC		DIST		P		F		REVISIONS			
ZONE	LTR	DESCRIPTION	DATE	APPD							
GP	00					G	REVISD PER EC 0513-0017-03	12MAY03	JG		



- ① HOUSING: BLACK POLYESTER, UL 94V-0 RATED; CONTACTS: PHOSPHOR BRONZE PER QQ-B-750; SCREWLOCKS: BRASS PER QQ-B-626.
- ② GOLD PLATING PER MIL-G-45204, TIN PLATING PER MIL-T-10727, NICKEL PLATING PER QQ-N-290, COPPER PLATING PER MIL-C-14550.
- ③ GOLD FLASH FOR A LENGTH OF 2.54[.100] MIN FROM MATING END, 2.54µm[.000100] MIN TIN OR TIN-LEAD FOR A LENGTH OF DIMENSION A FROM OPPOSITE END, ALL OVER 1.27µm[.000050] MIN NICKEL.
- ④ 0.76µm[.000030] MIN GOLD FOR A LENGTH OF 2.54[.100] MIN FROM MATING END, 2.54µm[.000100] MIN TIN OR TIN-LEAD FOR A LENGTH OF DIMENSION A FROM OPPOSITE END, ALL OVER 1.27µm[.000050] MIN NICKEL.
- ⑤ 1.27µm[.000050] MIN NICKEL OVER COPPER FLASH.



RECOMMENDED PC BOARD MOUNTING DIMENSIONS

OBSOLETE	6.35 [.250]	④	745076-8
OBSOLETE	6.35 [.250]	③	745076-7
	4.32 [.170]	④	745076-6
OBSOLETE	4.32 [.170]	③	745076-5
	3.18 [.125]	④	745076-4
	3.18 [.125]	③	745076-3

		A	CONTACT FINISH	PART NO
DO NOT SCALE PRINT. UNLESS SPECIFIED DIMENSIONS IN mm [INCHES] TOLERANCES ON:		AMP INCORPORATED Harrisburg, Pa. 17105		
2 PLC DEC ± 0.13 [.005]				
3 PLC DEC ± -				
ANGLES ± 2°				
MATERIAL	DR 11-16-89 J McCLINTON	NAME		
	CHK 2-1-90 R.STONE	RECEPTACLE ASSEMBLY, SIZE 1, 9 POSN, VERTICAL, AMPLIMITE® HD-20		
	APPD 2-2-90 S.SCHIEFFERLY	SIZE		
	APPD 2-2-90 C.ROHDE	C	00779	745076
	PRODUCT SPEC 108-40025	DRAWING NO		
FINISH	APPLICATION SPEC	SCALE	4:1	SHEET 1 OF 1
CONTACT: SEE TABLE				
SCREWLOCK: ⑤	WEIGHT -			

Mouser Electronics

Authorized Distributor

Click to View Pricing, Inventory, Delivery & Lifecycle Information:

[TE Connectivity:](#)

[745076-3](#)