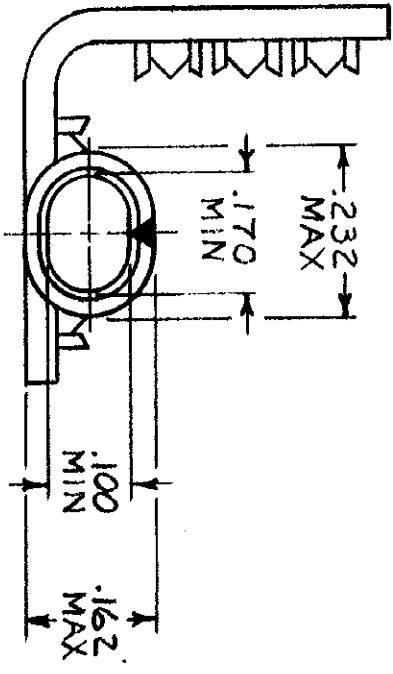
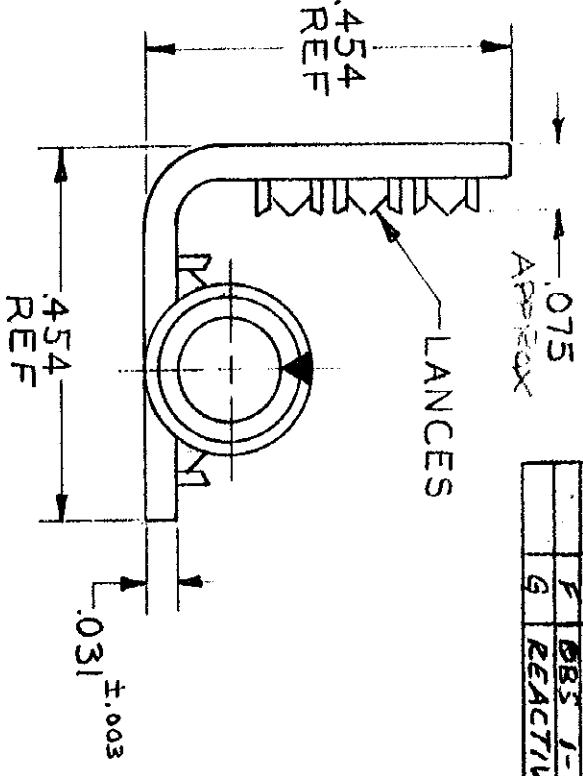
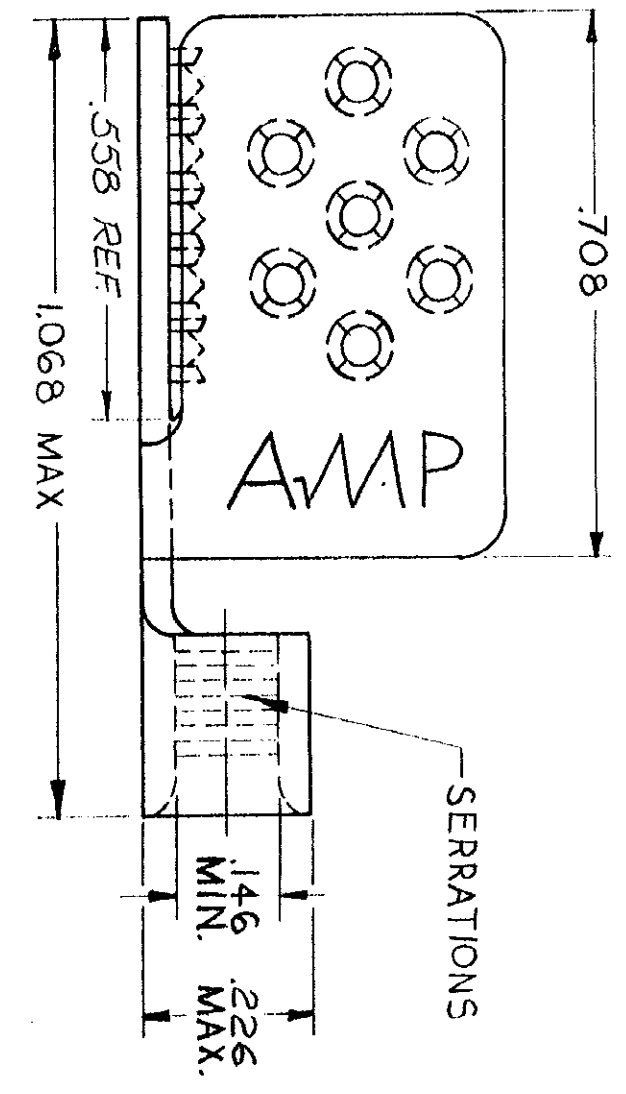


©1963 BY AMP INCORPORATED. ALL RIGHTS RESERVED. AMP PRODUCTS COVERED BY PATENTS AND/OR PATENTS PENDING.



FORMED VIEW (BARREL)
STYLE II

FORMED VIEW (BARREL)
STYLE I

REVISIONS		DATE	APPROVED
0	NPS 62-145G	3/27/67	RHM
A	ADDED REF TO .454 DIM ECN E-334	7/9/67	RHM
B	REV PER D.S. 2.1.2	9-1-71	FCY
C	ADDED 1-330716-2 NPS 74-1806	12-16-74	R.M. [unclear]
D	ADDED .558 REF DIM. - ECN PC7536	7/28/75	SM/102
E	ADDED 1-330716-3 P84-0031	5-7-74	QUANIER
F	BBS 1-330716-3 G-2841	8/15/82	182/m
G	REACTIVATE 1-330716-3 G-4877	11-9-88	DKS/ [unclear]

1-330716-3	N/ PL (QQ-N-290) .0002 MIN EXT THK	II
1-330716-2	TIN PL (MIL-T-10727)	I
330716	NICKEL PL (QQ-N-290) .0002 MIN EXT THK	
PART NO.	FINISH	STYLE

UNLESS OTHERWISE SPECIFIED DIM. ARE IN INCHES. TOLERANCES ON: DECIMALS ±.008 ANGLES ±.5°

MATERIAL
COPPER
(QQ-C-576)
ANNEALED

AMP INFO
LOC PRINT DIST
G 86
FINISH SEE TABLE

CONTRACT NO. 4
3-27-67
DR. Wm. Young
CHK. S. [unclear] 7/27/67
APPR. Barabara 3-31-67
DESIGNER [unclear] 12/16/64
OTHER APPR. [unclear]

AMP AMP INCORPORATED
HARRISBURG, PENNSYLVANIA

NAME
WIRE TERMINAL
TERMI-FOIL SOLISTRAND
WIRE SIZE: 12-10

SIZE CODE IDENT NO. NUMBER
B 100779 330716

SCALE 4-1 WT. CALC ACTUAL SHEET 1 OF 1

CUSTOMER DRAWING

Mouser Electronics

Authorized Distributor

Click to View Pricing, Inventory, Delivery & Lifecycle Information:

[TE Connectivity:](#)

[1-330716-2](#)