

Max. 170 m³/h

DC axial fans

□ 119 x 32 mm



- Material: Housing: GRP¹⁾ (PBT)
Impeller: GRP¹⁾ (PA)
 - Direction of air flow: Exhaust over struts
 - Direction of rotation: Clockwise,
looking towards rotor
 - Connection: Via single wires AWG 22,
TR 64
 - Highlights: Speed automatically adjusted
to cooling requirement
 - Weight: 220 g
- Possible special versions:
(See chapter DC fans - specials)
 - Speed signal
 - Go / NoGo alarm
 - Alarm with speed limit
 - External temperature sensor
 - Internal temperature sensor
 - PWM control input
 - Analog control input
 - Moisture protection

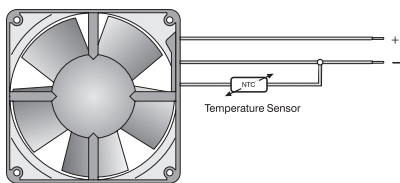
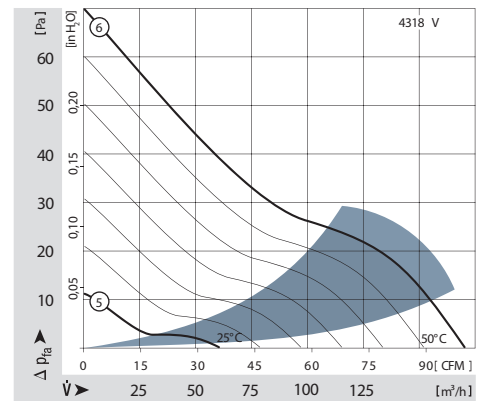
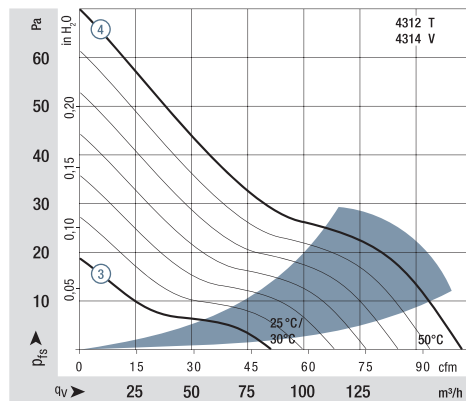
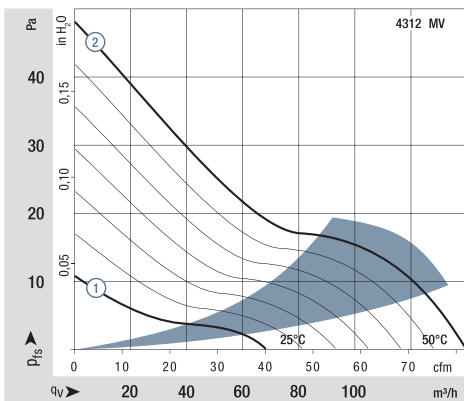
1) Fiberglass-reinforced plastic

Series 4300 VARIOFAN

Nominal data

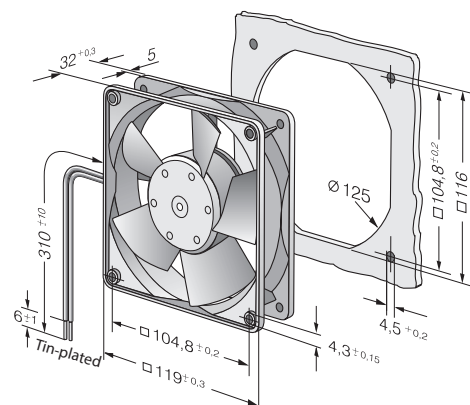
Type	Air flow		Nominal voltage VDC	Voltage range VDC	Sound pressure level dB(A)	Sound power level Bel(A)	Sinter sleeve bearings Ball bearings	Power consumption Watts	Nominal speed rpm ⁻¹	Temperature range °C	Service life L ₁₀ (40 °C) ebm-papst standard Hours	Service life L ₀ (T _{max}) ebm-papst standard Hours	Life expectancy L _{10Δ} (40 °C) see P. 15 Hours	Curve
	m ³ /h	cfm												
4312 MT	25°C	65	12	8...15	25	3.9	■	1.1	1 100	-20...+65	70 000 / 40 000	117 500	117 500	①
	50°C	138												38
4312 T	25°C	85	12	8...13.2	29	4.2	■	1.7	1 400	-20...+65	65 000 / 35 000	110 000	110 000	③
	50°C	170												50
4314 T	30°C	85	24	18...32	29	4.2	■	1.6	1 400	-20...+65	65 000 / 35 000	110 000	110 000	③
	50°C	170												50
4318 V	30°C	61	48	40...53	21	-	■	2.6	1 000	-20...+65	65 000 / 35 000	110 000	110 000	⑤
	50°C	170												36

Subject to change



The temperature sensor for controlling the motor speed is not included in the scope of delivery. For the temperature sensor LZ 370, see accessories.

Rotor protrusion max. 0.4 mm.



Mouser Electronics

Authorized Distributor

Click to View Pricing, Inventory, Delivery & Lifecycle Information:

[ebm-papst:](#)

[4318V](#) [4314T](#) [4318/17V](#)