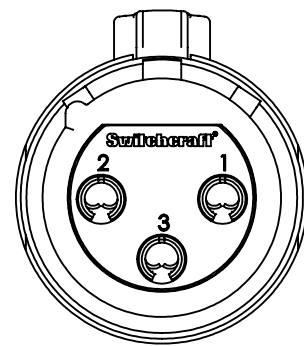
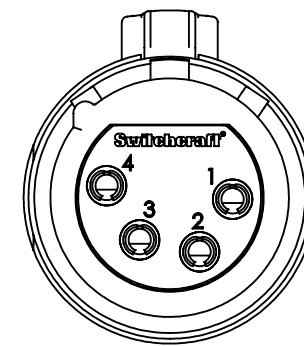


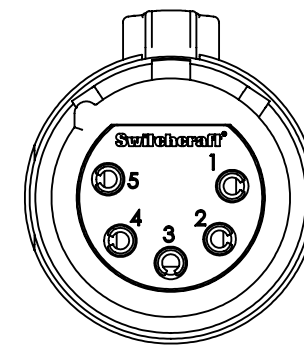
PART NUMBER	CONTACT PINS		HOUSING AND LATCH FINISH	INSULATOR COLOR
	QTY	FINISH		
QT3FZ	3	SILVER	NICKEL	GREEN
QT3FAUZ	3	GOLD	NICKEL	GREEN
QT3FBZ	3	SILVER	BLACK CHROME	BLACK
QT3FBAUZ	3	GOLD	BLACK CHROME	BLACK
QT4FZ	4	SILVER	NICKEL	GREEN
QT4FAUZ	4	GOLD	NICKEL	GREEN
QT4FBZ	4	SILVER	BLACK CHROME	BLACK
QT4FBAUZ	4	GOLD	BLACK CHROME	BLACK
QT5FZ	5	SILVER	NICKEL	GREEN
QT5FAUZ	5	GOLD	NICKEL	GREEN
QT5FBZ	5	SILVER	BLACK CHROME	BLACK
QT5FBAUZ	5	GOLD	BLACK CHROME	BLACK
QT6FZ	6	SILVER	NICKEL	GREEN
QT6FAUZ	6	GOLD	NICKEL	GREEN
QT6FBZ	6	SILVER	BLACK CHROME	BLACK
QT6FBAUZ	6	GOLD	BLACK CHROME	BLACK
QT7FZ	7	SILVER	NICKEL	GREEN
QT7FAUZ	7	GOLD	NICKEL	GREEN
QT7FBZ	7	SILVER	BLACK CHROME	BLACK
QT7FBAUZ	7	GOLD	BLACK CHROME	BLACK



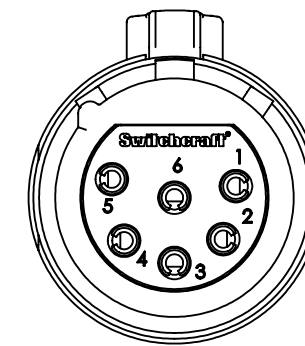
3 PIN



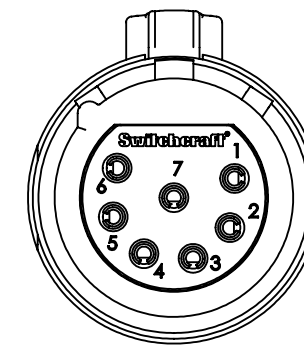
4 PIN



5 PIN

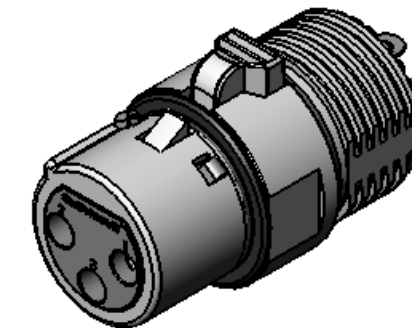
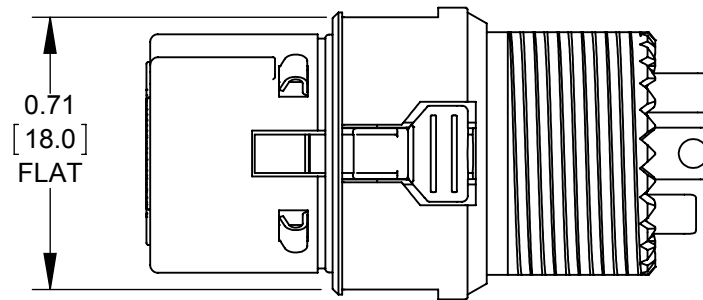


6 PIN

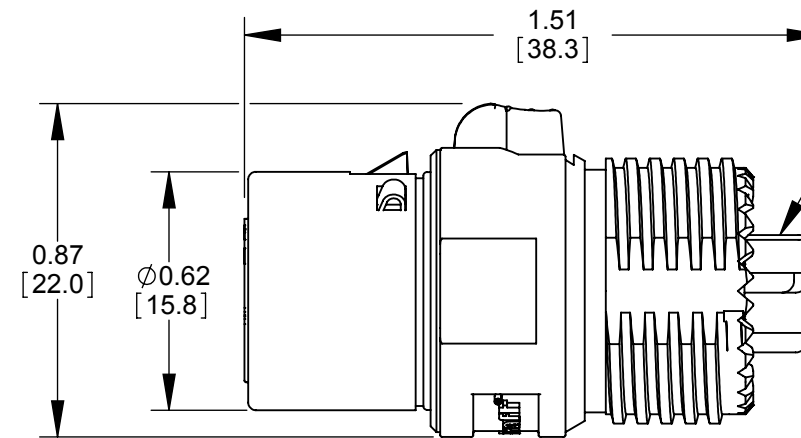
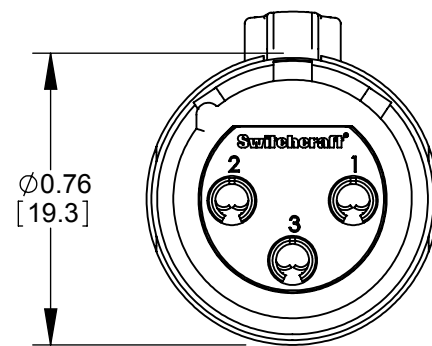


7 PIN

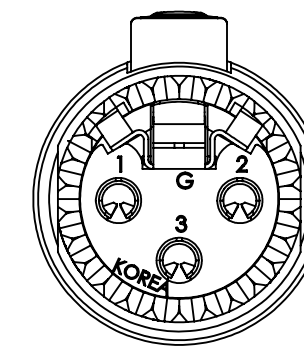
CONTACTS AS VIEWED FACING FEMALE CONNECTOR



QT3FZ SHOWN



GROUND TERMINAL



CUSTOMER DRAWING

NOTES:

- MATERIALS:
HOUSING - ZINC ALLOY
LATCH - ZINC ALLOY
INSULATOR - THERMOPLASTIC
GROUND TERMINAL - SPECIAL COPPER ALLOY
SOCKET CONTACTS - SPECIAL COPPER ALLOY
O-RING - THERMOPLASTIC RUBBER, BLACK
- THESE PRODUCTS ARE RoHS COMPLIANT.

REV	ECO NUMBER	DATE	BY	APVD
E	27081	01/25/13	BL	TJK
D	25891	9-9-08	RS	TJK
C	24940	3-10-05	JL	TJK
B	24552	10-10-03	JL	BRH
A	24446	8-11-03	JL	BRH

REVISIONS

★ STAR SYMBOL DENOTES CRITICAL DIMENSION

UNLESS OTHERWISE SPECIFIED

- ALL DIMENSIONS IN INCHES
- TWO PLACE DECIMALS ±0.01
- THREE PLACE DECIMALS ±0.005
- ANGLES ±1°
- ALL DIA. CONCENTRIC WITHIN 0.005 T.I.R.
- FEATURES ON THE SAME CENTERLINE MUST BE ALIGNED WITHIN ±0.002
- REMOVE ALL BURRS

DO NOT SCALE DRAWING

THIS DRAWING DESCRIBES A DESIGN CONSIDERED PROPRIETARY IN NATURE, DEVELOPED AND MANUFACTURED BY SWITCHCRAFT INC. AND IS RELEASED ON A CONFIDENTIAL BASIS FOR IDENTIFICATION PURPOSES ONLY.

SIZE	WIDTH	MULT	LBS/M	TEMPER
FINISH		MATERIAL		
SPEC No.		SPEC No.		
FIRST USED ON AAA3FZ		SCALE 2:1		
DATE DRAWN 03-07-03	BY BRH	CHKD BRH 8-11-03	APVD BRH 8-11-03	
NAME FEMALE XLR INSERT SUB-ASSY, RoHS		PART No. QT_FZ SERIES		
SHEET 1 OF 1				REV E

Switchcraft®

Mouser Electronics

Authorized Distributor

Click to View Pricing, Inventory, Delivery & Lifecycle Information:

[Switchcraft:](#)

[QT3FZ](#)