
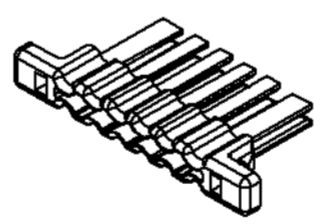
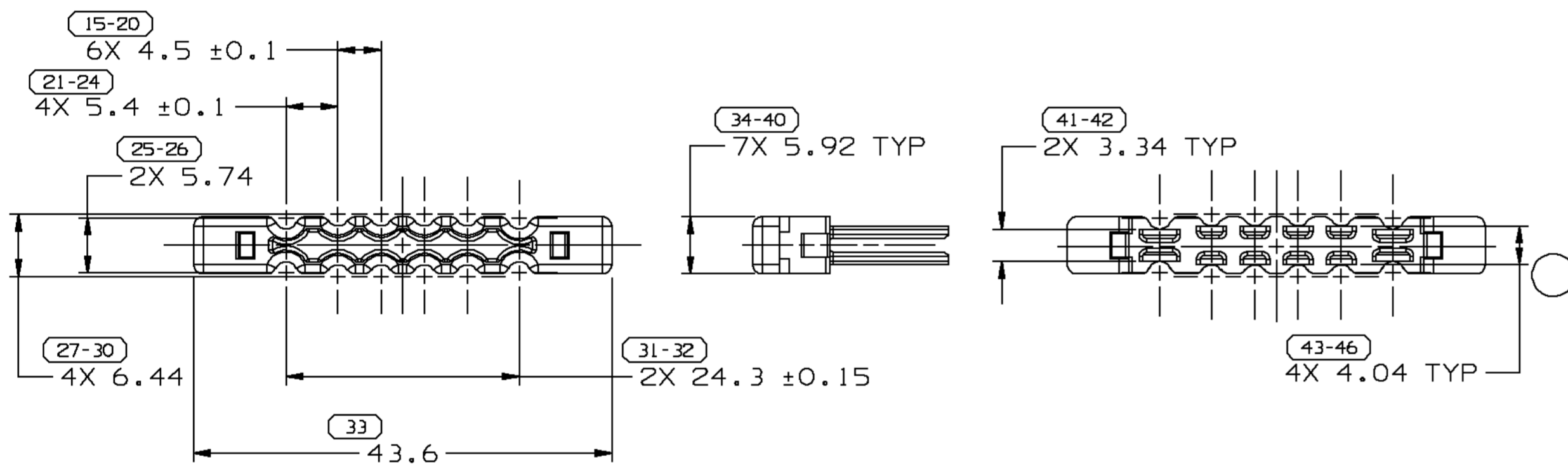
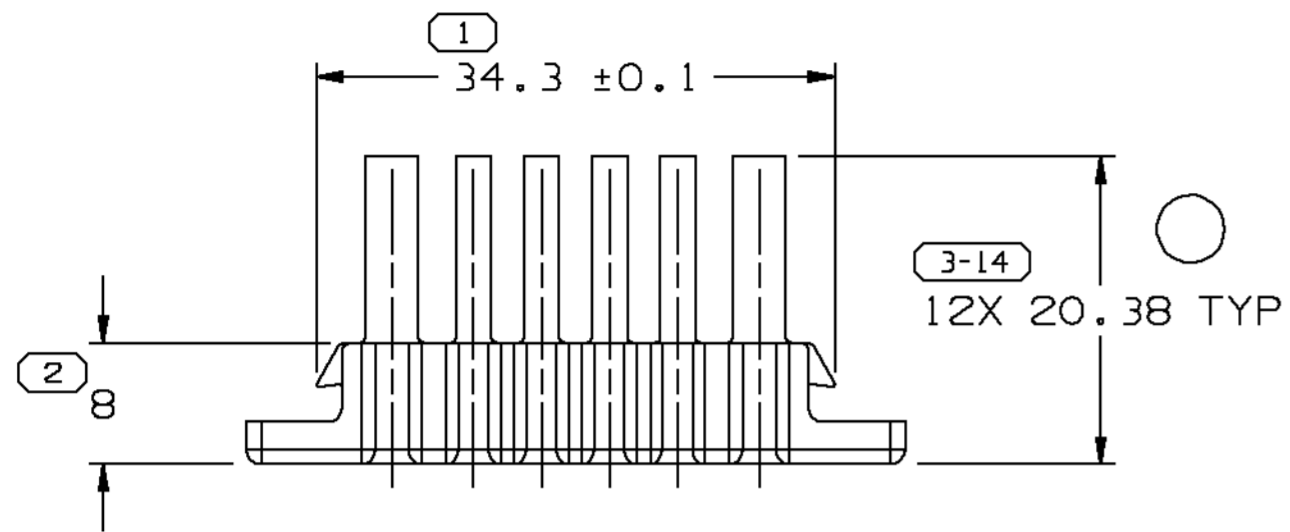


DELPHI PACKARD ELECTRIC SYSTEMS
WARREN, OHIO 44486

SYMBOL DEFINITION		MISSING NUMBERS	
THE NUMBER INSIDE THE SYMBOL 	TOTAL NO. OF SYMBOLS ON DRAWING	12	
	LAST NO. USED	46	

DWG STATUS					ZONE	REVISION HISTORY	AUTH	DR	CK	APVD
DATE	STG	REV	CHG	N/P						
310C00	R	001	-	-		WAS PEOB1906 AND RELEASED	000005	ECB	JAA	JS
29AU01	R	002	-	-		INCREASED LENGTH OF FINGERS & MATERIAL WAS R0100111 PBT-BLU	213876	CJC	CJC	JS



NOTES

- UNLESS OTHERWISE SPECIFIED AND/OR INDICATED: DIMENSIONS ARE TO FACE OF VIEW SHOWN AND AUTOMATICALLY ROUNDED BY COMPUTER FOR INSPECTION (SEE MATH MODEL FOR PRECISE DIMENSIONS). FOR ALL OTHER DIMENSIONS NOT SHOWN BUT REQUIRED FOR TOOL BUILD, SEE MATH MODEL FOR PRECISE TOOL PATH DATA.
- MATING COMPONENTS OR EQUIVALENT: CONNECTOR 15373521

DELPHI
Automotive Systems

MATERIAL SPEC R0100112 PBT-GRN	DIMENSIONAL RANGE (MM) CHART E					
	FROM TO	0 20	> 20 30	> 30 70	> 70 100	> 100
	TOLERANCE UNLESS OTHERWISE SPECIFIED					
	±0.15 ±0.2 ±0.3 ±0.4 ±0.5					
	ANGULAR TOLERANCE ± 2°					

PART DRAWING

CODE NUMBER 6901	DWG DATE 310C00	SCALE 2:1	DISTR CODE D
QC SPEC	STYLE	VOLUME cm ³ 1.372	

PART GEOMETRY
3D SOLID

UNLESS OTHERWISE SPECIFIED:
THIS DOCUMENT IS IN ACCORDANCE WITH ASME Y14.5M - 1994 AS AMENDED BY THE GM GLOBAL DIMENSIONING AND TOLERANCING ADDENDUM - 1997. ALL GEOMETRIC TOLERANCES AND RELATED DATUMS APPLY RFS. RULE #1 (PERFECT FORM AT MMC) DOES NOT APPLY WHEN RELATIONSHIP BETWEEN FEATURES IS ESTABLISHED BY ORIENTATION OR LOCATION TOLERANCES. SEPARATE POSITION CALLOUTS MAY BE GAGED SEPARATELY REGARDLESS OF DATUM REFERENCES.

COPY OF MATH DATA DO NOT SCALE	REFERENCE 001,701	DR	DATE
		APVD1 E.A. CACHO	310C00
		APVD2 J.S. ALVARADO	07N000
		APVD3 J. SVETTE	10N000
		APVD4	
	APVD5		

METRIC
UNLESS OTHERWISE SPECIFIED, ALL DIMENSIONS ARE IN MILLIMETERS

THIRD ANGLE PROJECTION

DRAWING NAME
TPA 12M GT 150 280

SHEET NUMBER 1 OF 1	DRAWING NUMBER 15373537	DWG STATUS			SIZE A2
		STG R	REV 002	N/P -	

1 PROCESS SENSITIVE DIMENSION
DIMENSIONS ENCLOSED IN () INDICATE REFERENCE DIMENSIONS AND NO TOLERANCE LIMITS ARE ESTABLISHED

Mouser Electronics

Authorized Distributor

Click to View Pricing, Inventory, Delivery & Lifecycle Information:

[Aptiv:](#)

[15373537](#)