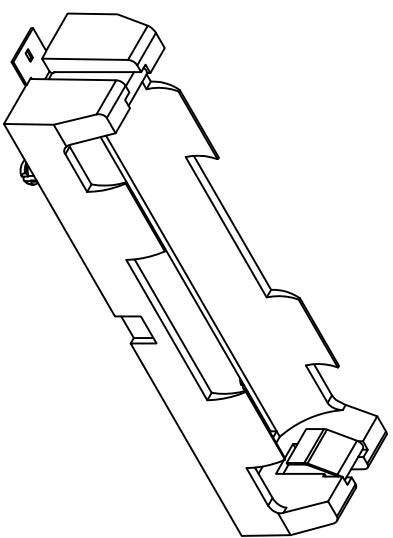


DATE	DESCRIPTION	REV.
10.24.10	AS PER ECN 10-062	A
10.04.10	CHANGE AS PER ECN 10-069	B
10.26.10	CHANGE AS PER ECN 10-075	C
4.12.11	CHANGE AS PER ECN 11-049	D
1.08.18	CHANGE AS PER ECN 18-002 (E1) WAS 3.386 [86.00] ADJUST MOUNTING LAYOUT TO MAX. TOLERANCE. CONTACT MAT'L WAS PHOSPHOR BRONZE	E



KEYSTONE ELECTRONICS CORP.
 www.kevelco.com • ASTORIA, N.Y. 11105-2017 • Tel (718) 956-8900

PART NAME: PC BATTERY HOLDER, 18650

MATERIAL: AS NOTED

FINISH: AS NOTED

DRN BY: NT DATE: 8.19.10

App'D: LN SCALE: 1.25X

CODE: DWG NO. 1042

TOLERANCES	INCH	[MM]	CODE	DWG NO.
DECIMAL	± .010	[± 0.25]	C	1042
ANGULAR	± 1°			

THIS DOCUMENT IS THE PROPERTY OF KEYSTONE ELECTRONICS CORP. AND SHALL NOT BE REPRODUCED, DISTRIBUTED OR USED AS A BASIS FOR MANUFACTURE WITHOUT PRIOR WRITTEN PERMISSION FROM KEYSTONE ELECTRONICS CORP.

NOTE:
 1. BASE:
 MAT'L: HEAT RESISTANCE NYLON
 STANYL 46 OR EQUIVALENT

2. CONTACT:
 MAT'L: .012 [0.30] THK STAINLESS STEEL
 FINISH: GOLD FLASH, OVER NICKEL PLATE