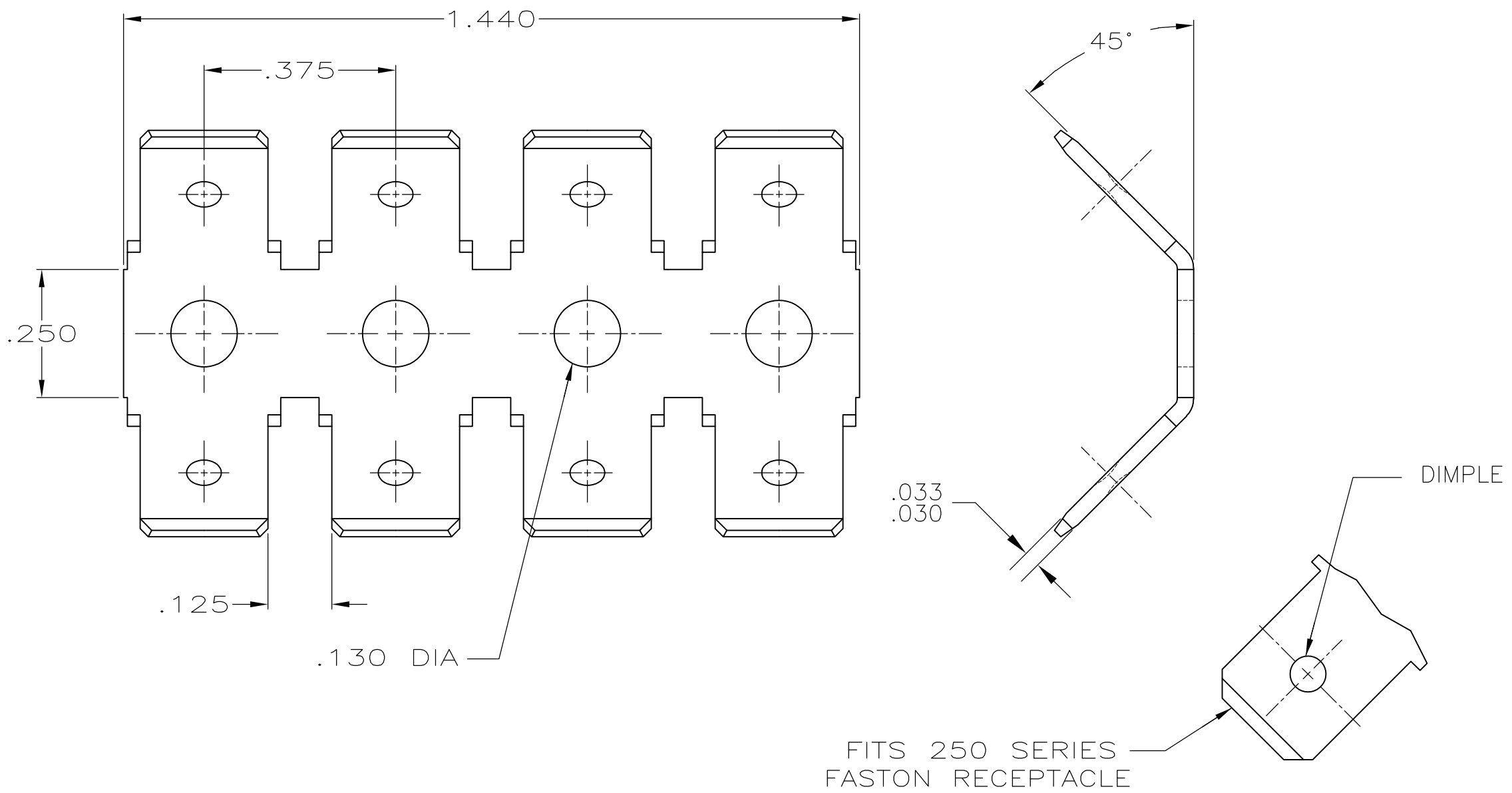


THIS DRAWING IS UNPUBLISHED. RELEASED FOR PUBLICATION
 © COPYRIGHT - By - ALL RIGHTS RESERVED.

LOC	DIST	REVISIONS					
AF	50	P	LTR	DESCRIPTION	DATE	DWN	APVD
			Y	REVISED PER ECR-13-011489	09DEC2013	KH	PD

1 PARTS SUPPLIED IN PAIRS OF 4.



41484
PART NO

THIS DRAWING IS A CONTROLLED DOCUMENT.		DWN	JR RUTH	4/28/89	 TE Connectivity	NAME		RESTRICTED TO				
DIMENSIONS: INCHES		CHK	M FEHER	5/1/89		TAB, FASTON,™ .250 SERIES						
		APVD	C MEYERS	5/3/89		SIZE	A3		CAGE CODE	00779	DRAWING NO	C-41484
TOLERANCES UNLESS OTHERWISE SPECIFIED:		PRODUCT SPEC		APPLICATION SPEC		WEIGHT			—			
MATERIAL		FINISH		CUSTOMER DRAWING		SCALE	4:1	SHEET	1 OF 1	REV	Y	
BRASS		TIN										

Mouser Electronics

Authorized Distributor

Click to View Pricing, Inventory, Delivery & Lifecycle Information:

[TE Connectivity:](#)

[41484](#)