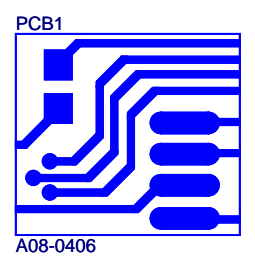
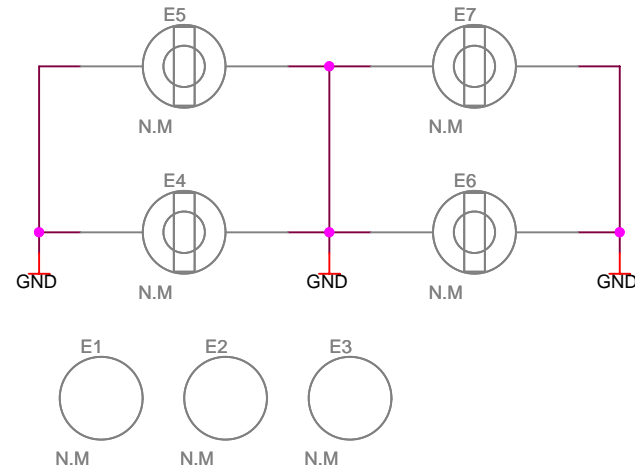
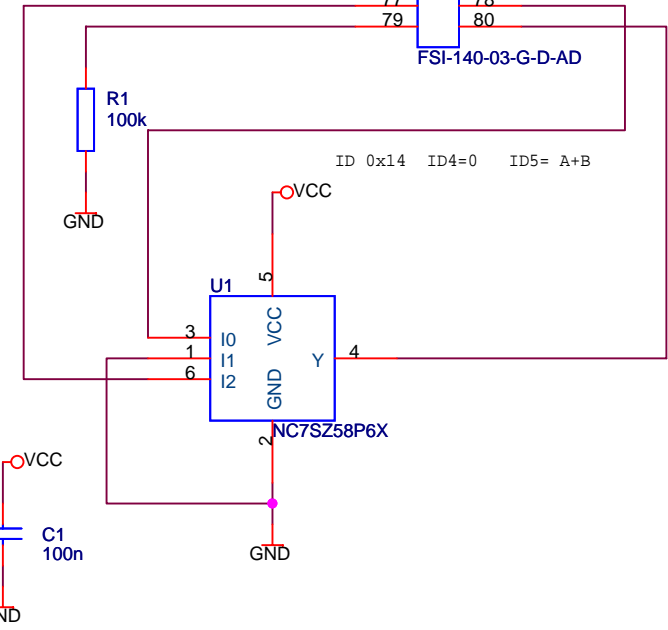
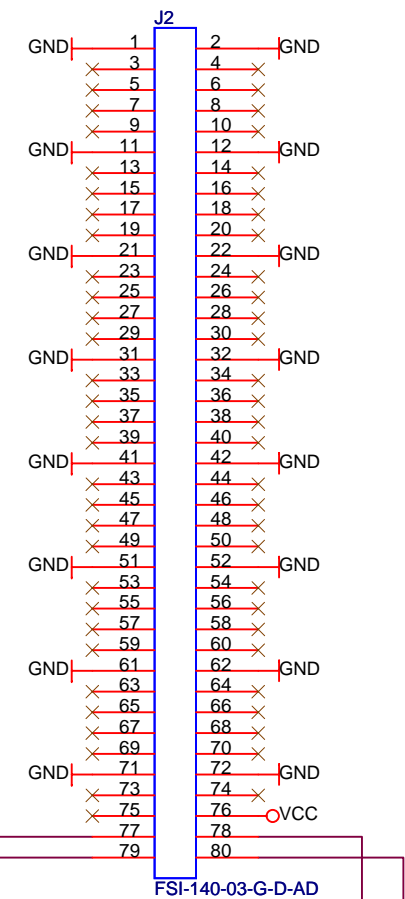
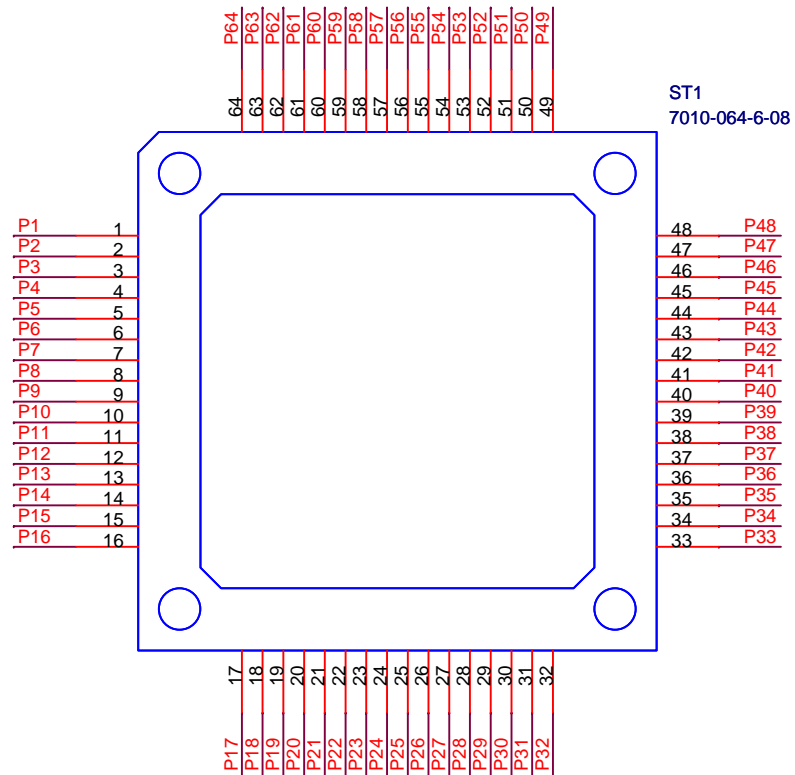
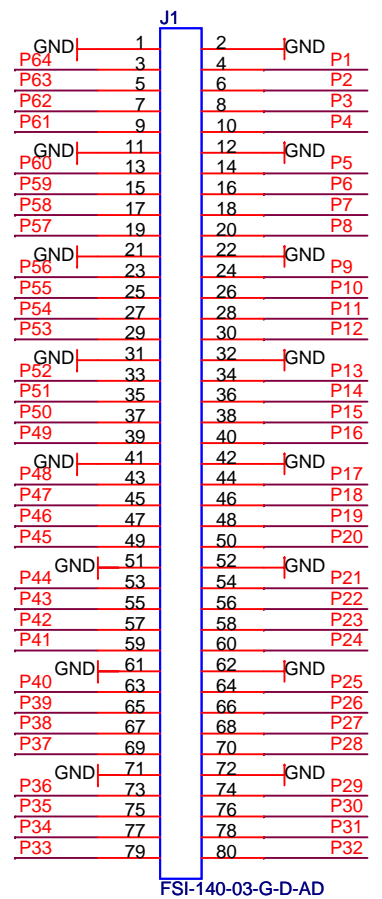
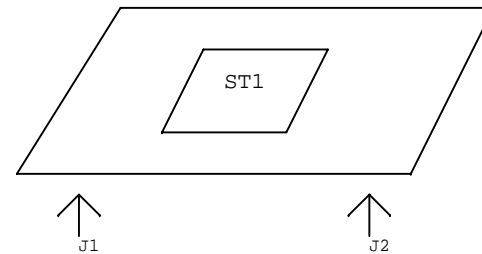


TQFP-64-2 Socket card

Socket card for 10mm TQFP-64 packages



Title		
STK600-TQFP64-2 Socket Card		
Size B	Document Number	Rev A
	<Doc>	
Date:	Tuesday, September 11, 2007	Sheet 1 of 1

Mouser Electronics

Authorized Distributor

Click to View Pricing, Inventory, Delivery & Lifecycle Information:

[Microchip:](#)

[ATSTK600-SC14](#)