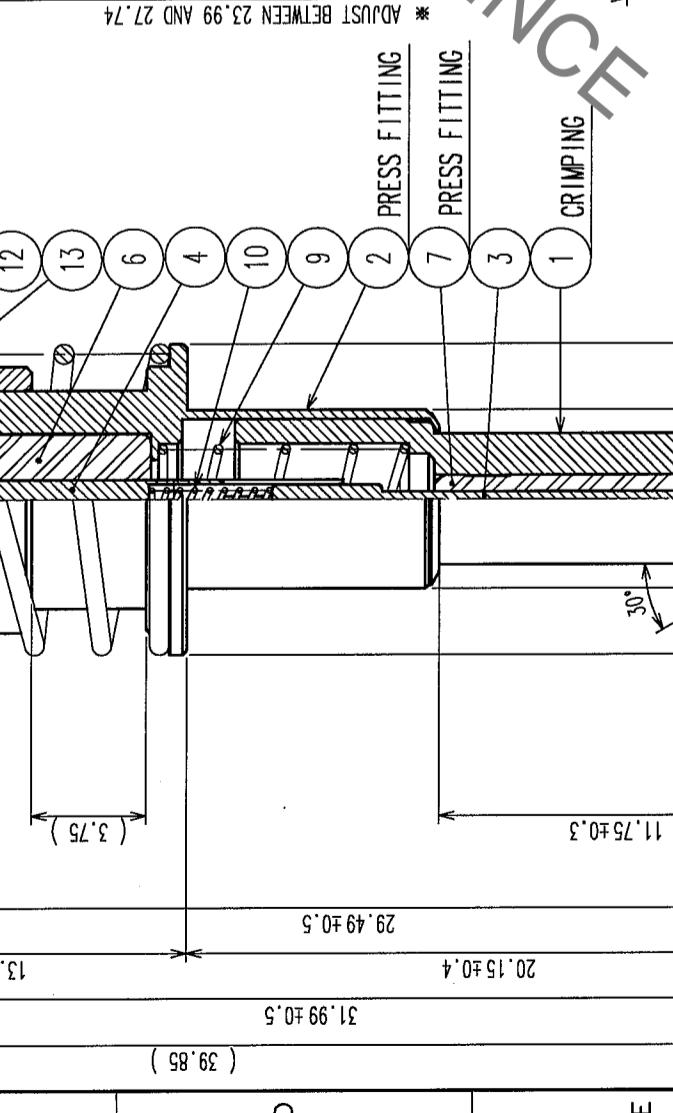
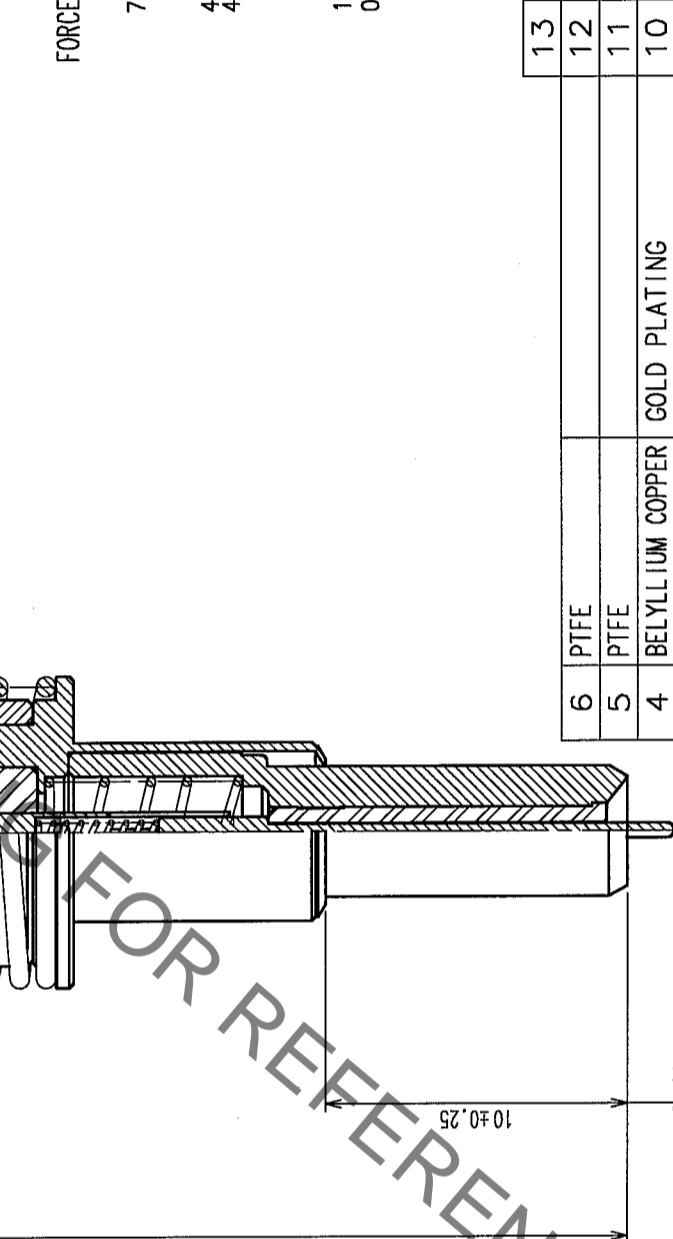
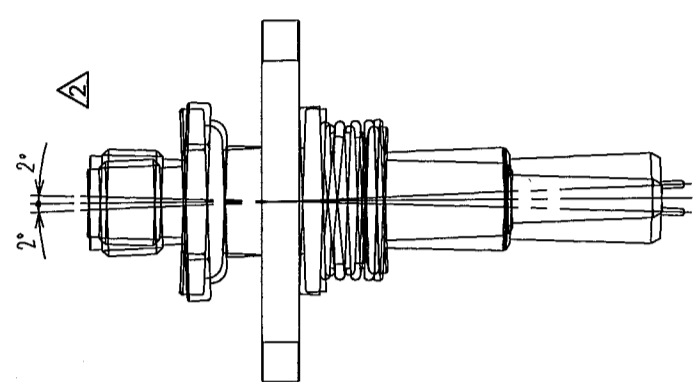


Oct.1.2020 Copyright 2020 HIROSE ELECTRIC CO., LTD. All Rights Reserved.
 2 In case of consideration for using Automotive equipment / device which demand high reliability, kindly contact our sales window correspondents.

COUNT	DESCRIPTION OF REVISIONS	BY	CHKD	DATE	COUNT	DESCRIPTION OF REVISIONS	BY	CHKD	DATE
1	RE-J-02130	N.S.R.K		'04.2.9					
5	RE-J-02188	N.S.R.K		'04.6.21					

FIGURE 1 (2:1)

FLOATING AMOUNT ±0.75mm



* ADJUST BETWEEN 23.99 AND 27.74

(39.85)

10±0.25

(1.55)

30°

φ3.5

φ4.3±0.1

φ5.9±0.2

φ10.3±0.4

11.75±0.3

29.49±0.5

20.15±0.4

13.4±0.3

6.3±0.3

7.86±0.3

31.99±0.5

11.75±0.3

3.75

1/4-36UNS-2A

11

5

8

12

13

6

4

10

9

2 PRESS FITTING

7 PRESS FITTING

3

1 CRIMPING

13 STAINLESS STEEL

12 PHOSPHOR BRONZE

11 STAINLESS STEEL

10 STAINLESS STEEL

9 STAINLESS STEEL

8 STAINLESS STEEL

7 PTFE

NO. MATERIAL FINISH, REMARKS

FINISH, REMARKS

DESIGNED

CHECKED

APPROVED

RELEASED

DRAWN

N. SHIRAI

N. SHIRAI

R. KANO

K. KAWAMURA

'03.11.4

'03.11.11

'03.11.19

PART NO.

MS-156-HRMJ-12

DRAWING NO.

EDC3-180384

SCALE

4 : 1

UNITS

mm

CODE NO.

CL358-0196-6

1

1

FORM NO. 229

8

7

6

5

4

3

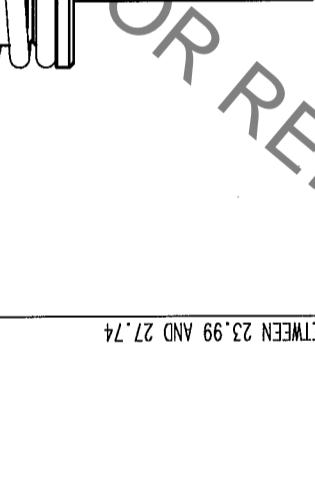
2

1

TO

RFD

Chart of pressure (Reference)



* Depend on setting

FINISH, REMARKS

FINISH, REMARKS

DESIGNED

CHECKED

APPROVED

RELEASED

DRAWN

N. SHIRAI

N. SHIRAI

R. KANO

K. KAWAMURA

5

8

12

13

6

4

10

9

2 PRESS FITTING

7 PRESS FITTING

3

1 CRIMPING

13 STAINLESS STEEL

12 PHOSPHOR BRONZE

11 STAINLESS STEEL

10 STAINLESS STEEL

9 STAINLESS STEEL

8 STAINLESS STEEL

7 PTFE

NO. MATERIAL FINISH, REMARKS

FINISH, REMARKS

DESIGNED

CHECKED

APPROVED

RELEASED

DRAWN

N. SHIRAI

N. SHIRAI

R. KANO

K. KAWAMURA

'03.11.4

'03.11.11

'03.11.19

PART NO.

MS-156-HRMJ-12

DRAWING NO.

EDC3-180384

SCALE

4 : 1

UNITS

mm

CODE NO.

CL358-0196-6

1

1

FORM NO. 229

8

7

6

5

4

3

2

1

TO

RFD

NOTE 1 Mating angle which is less than 2 degree is acceptable. (Refer to fig.1)
 2 No obstacles in this area.