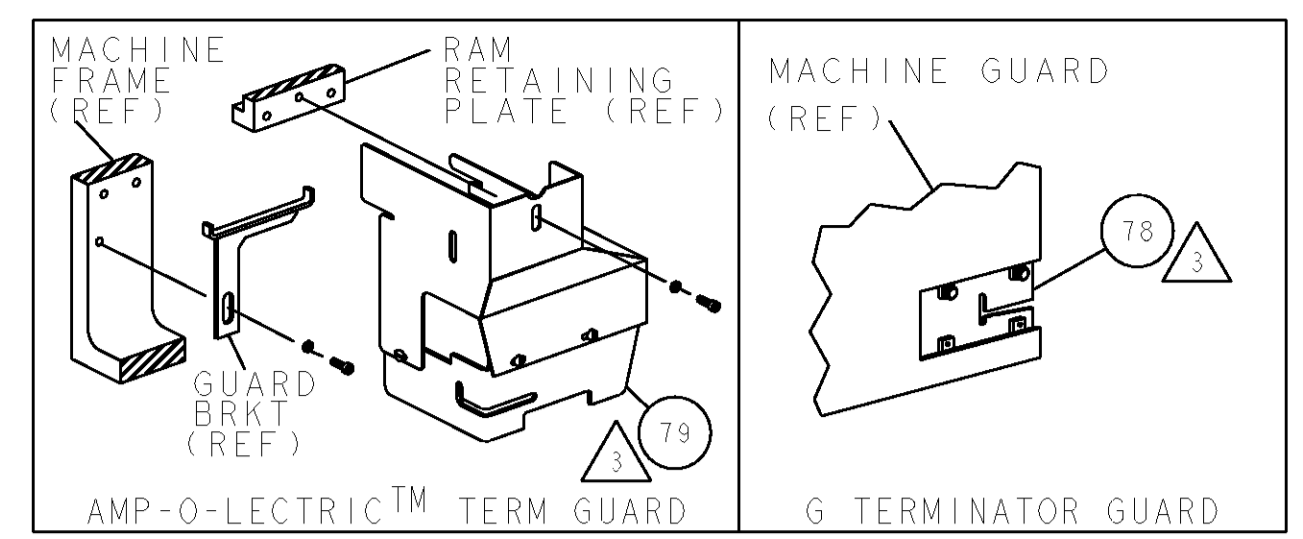


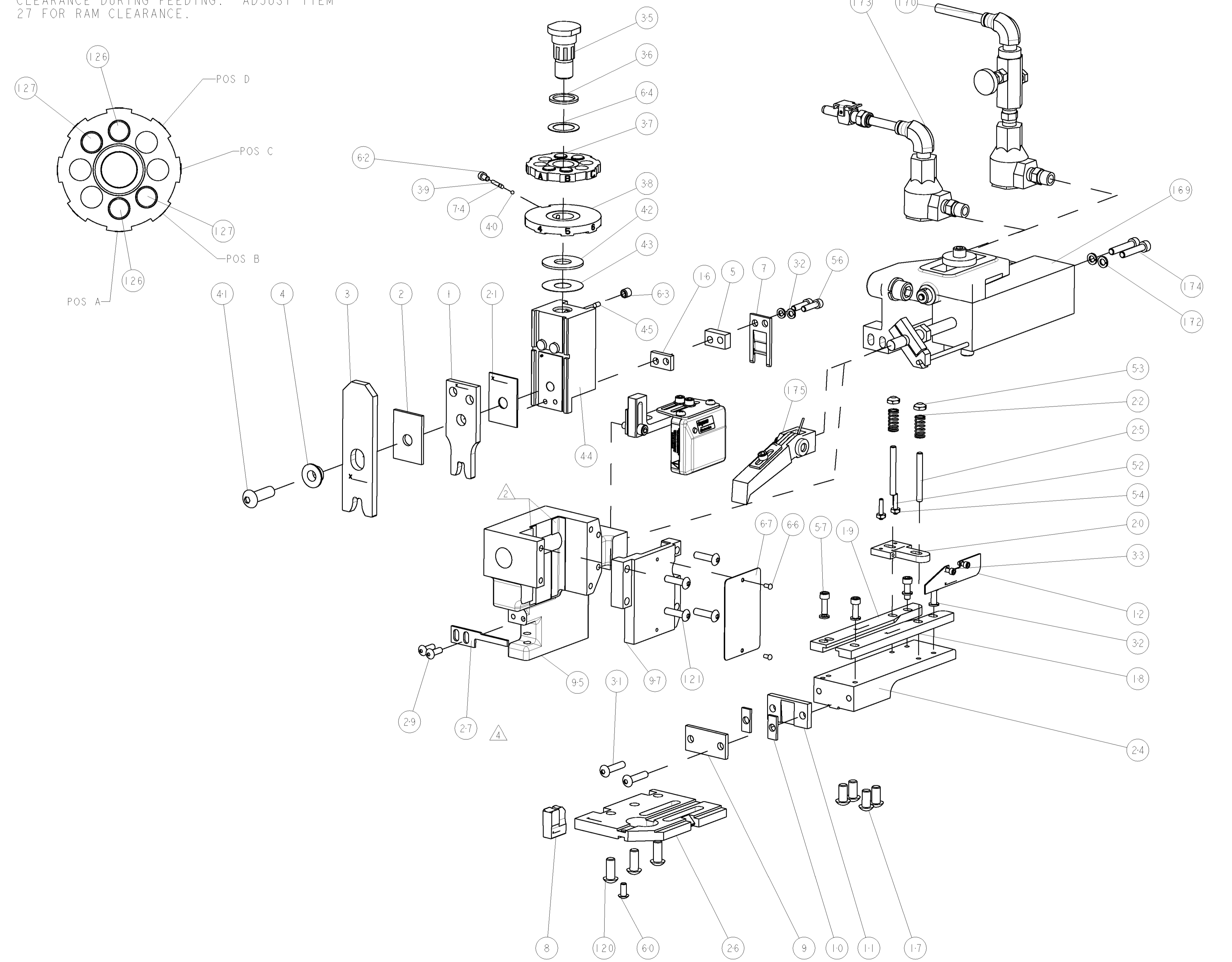
PART NUMBER		REV	FIRST USED	POWER UNIT	FEED TYPE
1852323-1		A	122500-1	LEADMAKER & BENCH MODEL G	AIR FEED
1852323-2		A	565435-5	BENCH MODEL K	AIR FEED
7-1852323-7		A	-	SPARE PARTS	-



TERMINAL NAME: RING TERMINAL				
TYCO PN	MFG PN	JST TERMINAL - AMP CRIMP SPECS		
1949128-1	25245.123.011			
		PAD LTR	CRIMP HEIGHT	WIRE SIZE
-	-	A	4.45±0.10mm [.175±.004]	12.00mm
-	-	B	4.35±0.10mm [.171±.004]	10.00mm
-	-	C	-	-
-	-	D	-	-
		CRIMP	SIZE	TYPE
-	-	-	-	-
		WIRE	6.10mm [.240]	F 12mm-10mm
		INSUL	8.38mm [.330]	F Ø.280 max
WIRE STRIP LENGTH	TERM APPL SPEC	FEED	APPL INSTRUCTIONS	SET UP GAGE
7.50mm	NONE	30.99mm	408-8039	458638-1

LOC	DIST	REVISONS			
A	66	P LTR	DESCRIPTION	DATE	DWN
		A	RELEASED	17OCT2006	BH

- 1 RECOMMENDED SPARE PARTS
- 2 GREASE LIGHTLY
- 3 GUARD MUST BE IN PLACE WHEN OPERATING APPLICATOR IN A BENCH MACHINE
- 4 INSTALL ITEM 27 UPSIDE DOWN FOR TERMINAL CLEARANCE DURING FEEDING. ADJUST ITEM 27 FOR RAM CLEARANCE.



-	1	1	-	460680-1	FEED FINGER ASSEMBLY	175
-	2	2	-	3-21000-9	SCR, SKT HD CAP 10-32 X 1.000	174
-	-	1	-	692655-7	AIR FEED VALVE ASSEMBLY	173
-	2	2	-	21024-5	WASHER, SPRG LOCK, REG NO 10	172
-	1	-	-	692655-5	AIR FEED VALVE ASSEMBLY	170
-	1	1	-	1-460277-9	AIR FEED ASSY	169
-	2	2	-	4-354778-5	PIN, WIRE DISC, .2720	127
-	2	2	-	4-354778-1	PIN, WIRE DISC, .2700	126
-	4	4	-	2-21002-9	SCR, BTN SKT HD CAP 10-32 X .750	121
-	3	3	-	2-22733-8	SCR, BHSC, SELF-LOCKING, 1/4-20 X .625	120
-	1	1	-	454220-1	CAP, RAM	97
-	1	1	-	453736-1	HOUSING, APPLICATOR	95
-	REF	-	-	455745-1	GUARD WINDOW	79
-	-	REF	-	679532-1	INSERT, GUARD	78
-	1	1	-	690603-1	SPRING ASSIST AMP-O-MATOR APPLICATOR	74
-	1	1	-	217238-1	GENERAL INSTRUCTION PKG	72
-	1	1	-	4088039	EF APPL INST 408-8039	71
-	1	1	-	461264-1	PLATE, IDENTIFICATION	67
-	2	2	-	21017-2	SCREW, DRIVE	66
-	1	1	-	986950-1	WASHER, FLAT PRECISION	64
-	1	1	-	21009-2	SCR, SET, SELF LOCKING 1/4-20 X .250	63
-	1	1	-	23030-1	SCR, SKT HD CAP 6-32 X .25	62
-	1	1	-	22733-8	SCR, BHSC, SELF-LOCKING, 8-32 X .375	60
-	4	4	-	2-21000-7	SCR, SKT HD CAP 8-32 X .500	57
-	2	2	-	2-21000-8	SCR, SKT HD CAP 8-32 X .625	56
-	2	2	-	21018-4	NUT, HEX, REG 4-40	54
-	2	2	-	21022-2	NUT, LOCK, HEX, TORQUE, 8-32	53
-	2	2	-	2-21006-6	SCR, SET, CUP POINT 4-40 X .625	52
-	1	1	-	690191-1	PLUG, NYLON	45
-	1	1	-	1-819307-7	RAM, SIDE FEED	44
-	1	1	-	690125-1	SHIM SUB-ASSY	43
-	1	1	-	690124-5	WASHER, RAM (.062)	42
-	1	1	-	7-21002-9	SCR, BTN SKT HD CAP 5/16-24 X 1.00	41
-	1	1	-	23241-6	BALL, STEEL	40
-	1	1	-	690170-1	SPRING, COMPRESSION	39
-	1	1	-	690142-1	DISC, INSULATION	38
-	1	1	-	354777-1	WIRE DISC, ASSEMBLY	37
-	1	1	-	22480-5	SPRING, COMPRESSION	36
-	1	1	-	690212-1	POST, RAM	35
-	2	2	-	1-21000-3	SCR, SKT HD CAP 4-40 X .250	33
-	6	6	-	21024-4	WASHER, SPRG LOCK, REG NO 8	32
-	2	2	-	3-21002-0	SCR, BTN SKT HD CAP 10-32 X .875	31
-	2	2	-	2-21002-2	SCR, BTN SKT HD CAP 8-32 X .500	29
-	1	1	-	690455-2	STRIPPER, FRONT CASTING	27
-	1	1	-	455676-1	PLATE, BASE	26
-	2	2	-	22354-8	STUD, THREADED	25
-	1	1	-	455678-1	PLATE, STRIP GUIDE	24
-	2	2	-	2-22281-3	SPRING, COMPRESSION	22
-	1	1	-	455888-9	SPACER, CRIMPER	21
-	1	1	-	464451-1	ARM, STOCK DRAG	20
-	1	1	-	5-458030-8	STRIP GUIDE, REAR	19
-	1	1	-	5-458031-9	STRIP GUIDE, FRONT	18
-	4	4	-	3-21002-3	SCR, BTN SKT HD CAP 1/4-20 X .500	17
-	1	1	-	2-240641-4	SPACER	16
-	1	1	-	1-464452-3	DRAG, STOCK	12
-	1	1	-	240644-1	PLATE, REAR SHEAR	11
-	2	2	-	240645-8	SPACER, SHEAR PLATE	10
-	1	1	-	240642-1	PLATE, FRONT SHEAR	9
-	1	1	-	1633498-1	ANVIL, COMBINATION	8
-	1	1	-	690474-6	BLADE, SLUG	7
-	1	1	-	2-240641-5	SPACER	5
-	1	1	-	3-238009-0	BLOCK, FL CRIMPER SPACER	4
-	1	1	-	2-1633471-0	CRIMPER, INSULATION F	3
-	1	1	-	2-455888-1	SPACER, CRIMPER	2
-	1	1	-	3-1673600-8	CRIMPER, WIRE	1

-77 -2 -1 U/M PART NO		DESCRIPTION		ITEM NO
19SEPT2006		19SEPT2006		1
19SEPT2006		19SEPT2006		2
19SEPT2006		19SEPT2006		3
19SEPT2006		19SEPT2006		4
19SEPT2006		19SEPT2006		5
19SEPT2006		19SEPT2006		6
19SEPT2006		19SEPT2006		7
19SEPT2006		19SEPT2006		8
19SEPT2006		19SEPT2006		9
19SEPT2006		19SEPT2006		10
19SEPT2006		19SEPT2006		11
19SEPT2006		19SEPT2006		12
19SEPT2006		19SEPT2006		13
19SEPT2006		19SEPT2006		14
19SEPT2006		19SEPT2006		15
19SEPT2006		19SEPT2006		16
19SEPT2006		19SEPT2006		17
19SEPT2006		19SEPT2006		18
19SEPT2006		19SEPT2006		19
19SEPT2006		19SEPT2006		20
19SEPT2006		19SEPT2006		21
19SEPT2006		19SEPT2006		22
19SEPT2006		19SEPT2006		23
19SEPT2006		19SEPT2006		24
19SEPT2006		19SEPT2006		25
19SEPT2006		19SEPT2006		26
19SEPT2006		19SEPT2006		27
19SEPT2006		19SEPT2006		28
19SEPT2006		19SEPT2006		29
19SEPT2006		19SEPT2006		30
19SEPT2006		19SEPT2006		31
19SEPT2006		19SEPT2006		32
19SEPT2006		19SEPT2006		33
19SEPT2006		19SEPT2006		34
19SEPT2006		19SEPT2006		35
19SEPT2006		19SEPT2006		36
19SEPT2006		19SEPT2006		37
19SEPT2006		19SEPT2006		38
19SEPT2006		19SEPT2006		39
19SEPT2006		19SEPT2006		40
19SEPT2006		19SEPT2006		41
19SEPT2006		19SEPT2006		42
19SEPT2006		19SEPT2006		43
19SEPT2006		19SEPT2006		44
19SEPT2006		19SEPT2006		45
19SEPT2006		19SEPT2006		46
19SEPT2006		19SEPT2006		47
19SEPT2006		19SEPT2006		48
19SEPT2006		19SEPT2006		49
19SEPT2006		19SEPT2006		50
19SEPT2006		19SEPT2006		51
19SEPT2006		19SEPT2006		52
19SEPT2006		19SEPT2006		53
19SEPT2006		19SEPT2006		54
19SEPT2006		19SEPT2006		55
19SEPT2006		19SEPT2006		56
19SEPT2006		19SEPT2006		57
19SEPT2006		19SEPT2006		58
19SEPT2006		19SEPT2006		59
19SEPT2006		19SEPT2006		60
19SEPT2006		19SEPT2006		61
19SEPT2006		19SEPT2006		62
19SEPT2006		19SEPT2006		63
19SEPT2006		19SEPT2006		64
19SEPT2006		19SEPT2006		65
19SEPT2006		19SEPT2006		66
19SEPT2006		19SEPT2006		67
19SEPT2006		19SEPT2006		68
19SEPT2006		19SEPT2006		69
19SEPT2006		19SEPT2006		70
19SEPT2006		19SEPT2006		71
19SEPT2006		19SEPT2006		72
19SEPT2006		19SEPT2006		73
19SEPT2006		19SEPT2006		74
19SEPT2006		19SEPT2006		75
19SEPT2006		19SEPT2006		76
19SEPT2006		19SEPT2006		77

# Mouser Electronics

Authorized Distributor

Click to View Pricing, Inventory, Delivery & Lifecycle Information:

[TE Connectivity:](#)

[1852323-2](#)