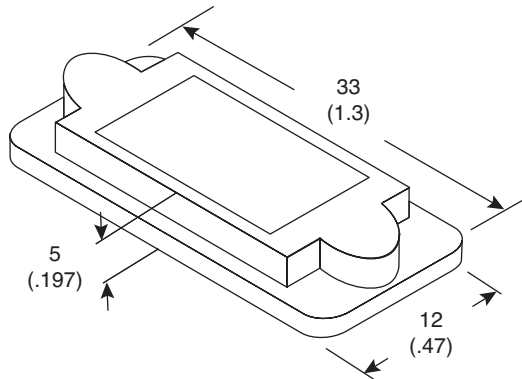


# D-Sub Connector Hood EMI/Dust Covers



152-09FR-E, 152-15FR-E, 152-25FR-E,  
152-09MB-E, 152-15MB-E, 152-25MB-E

D-Sub Connector Hood EMI/Dust Covers



**Dimensions: mm (in.)**

Mouser Part No.	Description	Color
152-09FR-E	9 way female	Red
152-15FR-E	15 way female	Red
152-25FR-E	25 way female	Red
152-09MB-E	9 way male	Blue
152-15MB-E	15 way male	Blue
152-25MB-E	25 way male	Blue

## SPECIFICATIONS

<b>Material:</b>	ABS with internal nickel coating
	RoHS Compliant

152-09FR-E, 152-15FR-E, 152-25FR-E, 152-09MB-E, 152-15MB-E, 152-25MB-E

Date Last Revised: 01/25/08

**Available from Mouser Electronics**  
**1-800-346-6873 / [www.mouser.com](http://www.mouser.com)**

KC-301231

Specifications are subject to change without notice. No liability or warranty implied by this information. Environmental compliance based on producer documentation.

# Mouser Electronics

Authorized Distributor

Click to View Pricing, Inventory, Delivery & Lifecycle Information:

[Kobiconn:](#)

[152-15MB-E](#) [152-25FR-E](#) [152-25MB-E](#) [152-09FR-E](#) [152-15FR-E](#) [152-09MB-E](#)