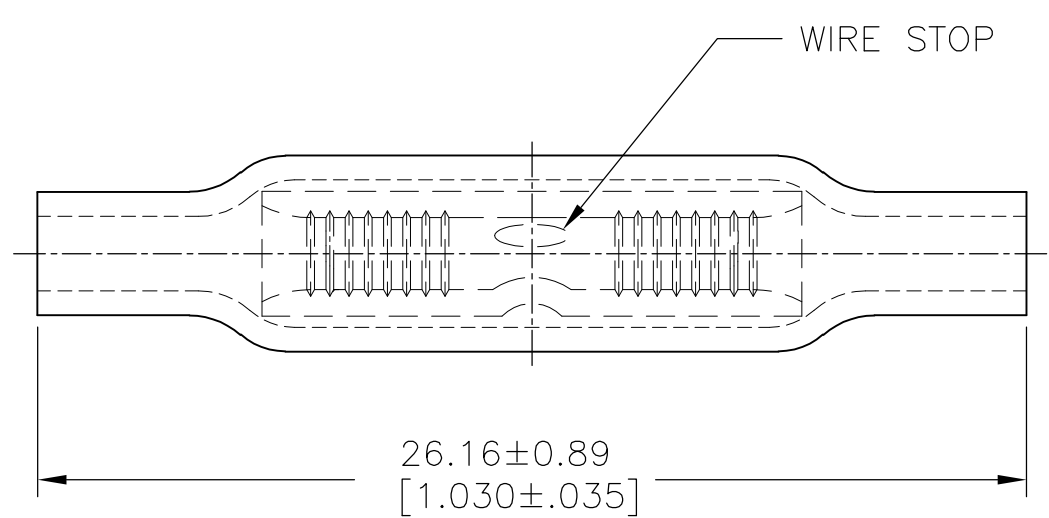
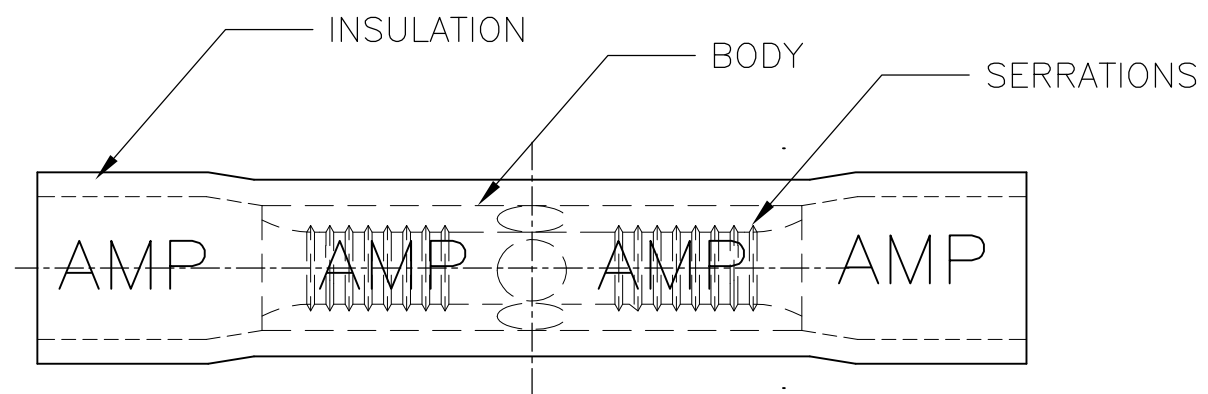


THIS DRAWING IS UNPUBLISHED. RELEASED FOR PUBLICATION
 © COPYRIGHT - By - ALL RIGHTS RESERVED.

LOC	DIST	REVISIONS			
P	LTR	DESCRIPTION	DATE	DWN	APVD
G	-	F2	REDRAW PER ECO-11-020548	02FEB12	KH DR

1 FOR 4.34[.171] TO 2.11[.083] MAX OVALED WIRE INSULATION DIA



OBSOLETE	100	LOOSE PC,BOX	BODY: COPPER PER ASTM B152 TIN PLATE PER ASTM B545	8-34203-1
	1000	LOOSE PIECE	INSULATION: PVC COLOR: RED	34203
	QTY	PACKAGE TYPE	MATERIAL & FINISH	PART NO

THIS DRAWING IS A CONTROLLED DOCUMENT.		DWN KIRAN HOLAL 02FEB12	STE TE Connectivity		
DIMENSIONS: mm [INCHES]		CHK ROHDE DANIEL 02FEB12			
TOLERANCES UNLESS OTHERWISE SPECIFIED:		APVD ROHDE DANIEL 02FEB12	NAME		
0 PLC ± -		PRODUCT SPEC	WIRE SPLICE PLASTI-GRIP-BUTT-OVALED		
1 PLC ± -		APPLICATION SPEC	WIRE SIZE: 22-16		
2 PLC ± -		WEIGHT	SIZE	CAGE CODE	DRAWING NO
3 PLC ± 0.20[.008]			A3	00779	C-34203
4 PLC ± -			RESTRICTED TO		
ANGLES ± 5°			-		
MATERIAL			CUSTOMER DRAWING		
FINISH			SCALE	SHEET	REV
-			5:1	1 OF 1	F2

Mouser Electronics

Authorized Distributor

Click to View Pricing, Inventory, Delivery & Lifecycle Information:

[TE Connectivity:](#)

[34203](#)