



UNIVERSAL SERIAL BUS: KUSBEX Series Fully Shielded Right Angle USB

Product Features

Meets USB 2.0 Specifications
Compatible with Many Computer Peripherals
A and B Types Available
Supports Hot Plugging
Contact Area with Gold Plating
CSA/NRTL Certified File No. LR78160
UL File No. E134345

Performance Specifications

Materials and Finish

Insulator
PBT Thermoplastic, UL 94V-0 Rated, Black or White Color

Contacts

Phosphor Bronze

Contact Plating

Gold over Nickel on Contacts,
Tin over Nickel on Termination End

Shell

Brass, Nickel or Tin Plating, See Spec.

Electrical Characteristics

Rated Voltage: 30V AC

Rated Current: 1A

Contact Resistance: 20 milliohms Max

Insulation Resistance: 1000 Megohms Min.

Dielectric Withstanding Voltage: 750V AC For 1 Minute

Operating Temperature: See Drawing

2D Drawing	IGES	STEP	3D PDF
Solder Profile	CofC RoHS Compliant	CofC REACH Compliant	UL Plastic File
Certificate of Origin	Check Stock	Request a Sample	Send Us An Email

Generated Part Number

Part Number Builder

<input type="text"/>	-	<input type="text"/>	<input type="text"/>
Series		Type	Color Option

Series

KUSBEX - Fully Shielded Right Angle USB (NEW DESIGN)

Type

ASFS1N - A Type Fully Shielded Receptacle

BSFS1N - B Type Fully Shielded Receptacle

Insulator Color Option

B - Black

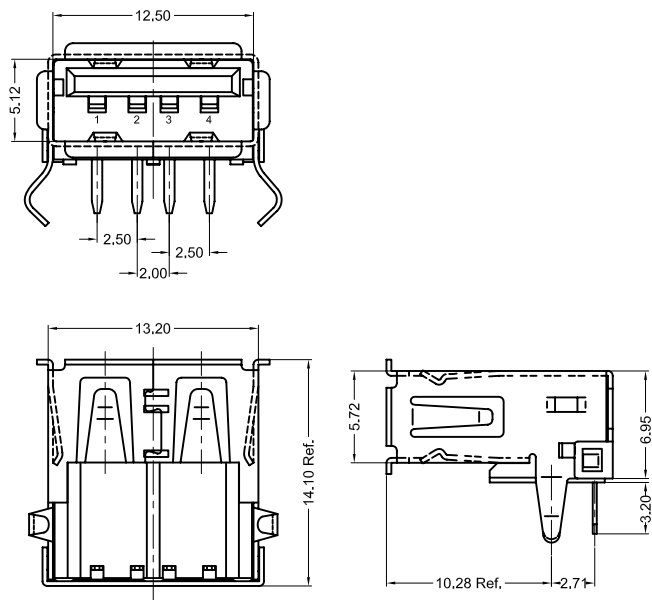
W - White

Contact Kycon for other options

KUSBEX Series

Dimensions in mm

KUSBEX-ASFS1N



Mouser Electronics

Authorized Distributor

Click to View Pricing, Inventory, Delivery & Lifecycle Information:

[Kycon:](#)

[KUSBEX-ASFS2N-B](#) [KUSBEX-ASFS1N-W30](#) [KUSBEX-ASFS2N-W](#) [KUSBEX-BSFS1N-W](#) [KUSBEX-BSFS1N-B](#)
[KUSBEX-ASFS1N-B30](#) [KUSBEX-BSFS1N-W30](#) [KUSBEX-ASFS1N-B](#) [KUSBEX-ASFS2N-B30](#) [KUSBEX-ASFS2N-](#)
[W30](#) [KUSBEX-BSFS1N-B30](#) [KUSBEX-ASFS1N-W](#)