

**PLEASE CHECK WWW.MOLEX.COM FOR LATEST PART INFORMATION**

**Part Number:** [67800-5005](#)  
**Status:** **Active**  
**Overview:** Serial ATA Products  
**Description:** 1.27mm Pitch Serial ATA High Speed Header, Vertical, Surface Mount, with Locking Latch, 7 Circuits, 0.38µm Gold (Au) Plating, for 1.60mm PCB, with PCB Locator Pegs, Lead-Free

**Documents:**

[3D Model](#) [RoHS Certificate of Compliance \(PDF\)](#)  
[Drawing \(PDF\)](#)

**Agency Certification**

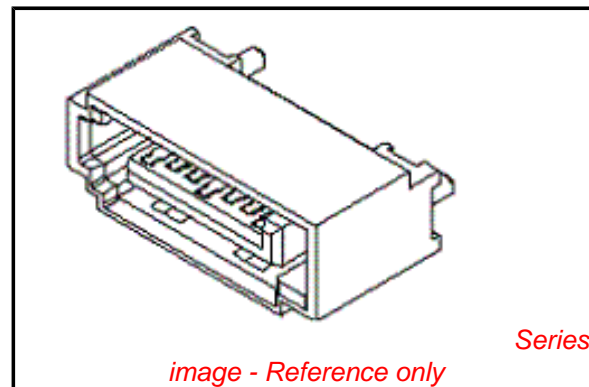
CSA LR19980  
 UL E29179

**General**

Product Family PCB Headers  
 Series [67800](#)  
 Application Board-to-Board, Signal, Wire-to-Board  
 Comments Staggered Solder Pin|Metal Post Length 2.65mm  
 Overview [Serial ATA Products](#)  
 Product Name Serial ATA  
 UPC 822348723713

**Physical**

Breakaway No  
 Circuits (Loaded) 7  
 Circuits (maximum) 7  
 Color - Resin Black  
 Durability (mating cycles max) 50  
 First Mate / Last Break Yes  
 Flammability 94V-0  
 Glow-Wire Compliant No  
 Guide to Mating Part No  
 Keying to Mating Part Yes  
 Lock to Mating Part Yes  
 Material - Metal Brass  
 Material - Plating Mating Gold  
 Material - Plating Termination Tin  
 Material - Resin High Temperature Thermoplastic  
 Net Weight 0.912/g  
 Number of Rows 1  
 Orientation Vertical  
 PCB Locator Yes  
 PCB Retention Yes  
 Packaging Type Tray  
 Pitch - Mating Interface 1.27mm  
 Pitch - Termination Interface 1.27mm  
 Plating min - Mating 0.381µm  
 Plating min - Termination 1.905µm  
 Polarized to Mating Part Yes  
 Polarized to PCB Yes  
 Shrouded Fully  
 Stackable No  
 Temperature Range - Operating -35°C to +85°C  
 Termination Interface: Style Surface Mount



**EU RoHS**

**ELV and RoHS Compliant**

**REACH SVHC**

**Contains SVHC: No**  
**Low-Halogen Status**  
**Low-Halogen**

**China RoHS**



**Need more information on product environmental compliance?**

Email [productcompliance@molex.com](mailto:productcompliance@molex.com)  
 For a multiple part number RoHS Certificate of Compliance, [click here](#)

Please visit the [Contact Us](#) section for any non-product compliance questions.

**Search Parts in this Series**  
 67800Series

**Electrical**

Current - Maximum per Contact	1.5A
Voltage - Maximum	15V DC

**Solder Process Data**

Duration at Max. Process Temperature (seconds)	3
Lead-free Process Capability	Reflow Capable (SMT only)
Max. Cycles at Max. Process Temperature	1
Process Temperature max. C	255

**Material Info****Reference - Drawing Numbers**

Electrical Model Document	EE-67800-002
Sales Drawing	SD-67800-005

This document was generated on 10/25/2012

**PLEASE CHECK [WWW.MOLEX.COM](http://WWW.MOLEX.COM) FOR LATEST PART INFORMATION**

# Mouser Electronics

Authorized Distributor

Click to View Pricing, Inventory, Delivery & Lifecycle Information:

[Molex:](#)

[67800-5005](#)