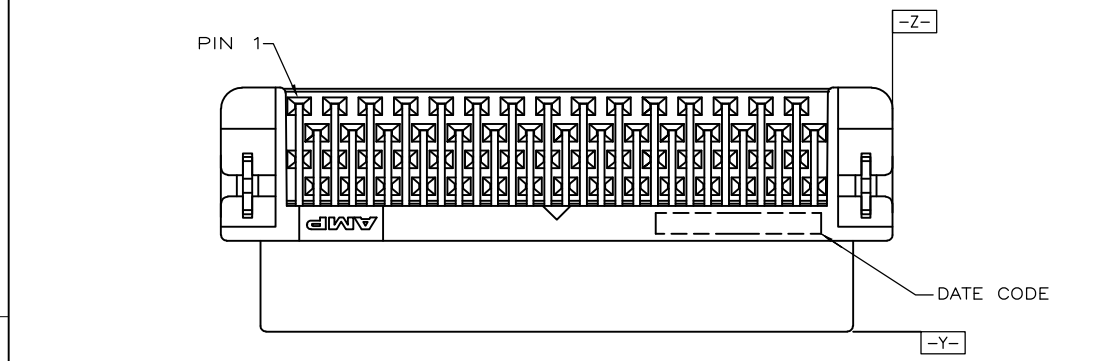
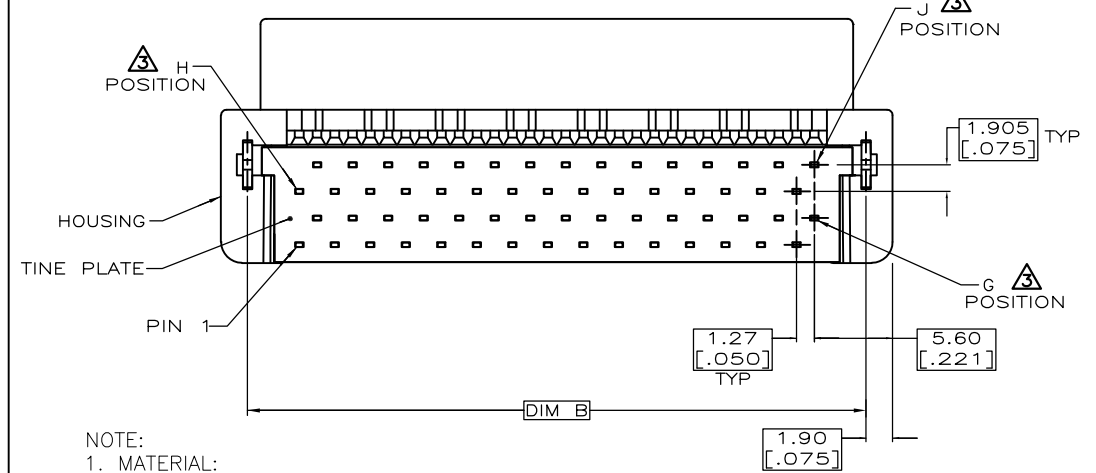
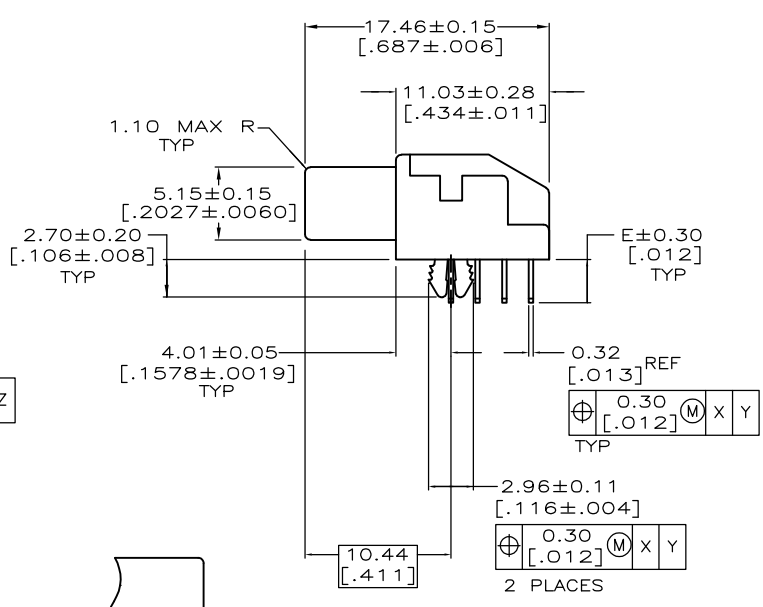
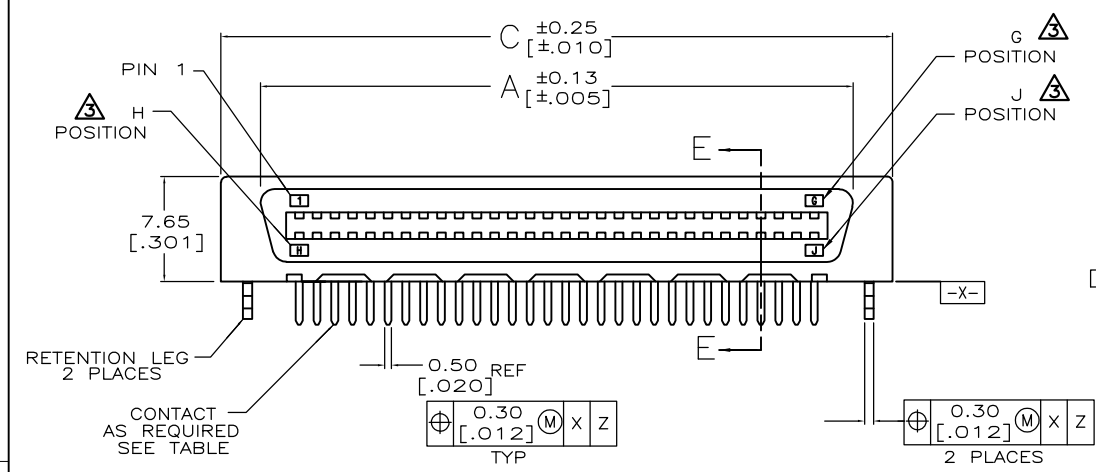


THIS DRAWING IS UNPUBLISHED. RELEASED FOR PUBLICATION
 © COPYRIGHT - By - ALL RIGHTS RESERVED.

LOC	DIST	REVISIONS			
P	LTR	DESCRIPTION	DATE	DWN	APVD
DW	/	G1	REVISED PER ECR-12-013026	08APR13	K.M E.T



FOR 50, AND 130
POSITIONS ONLY



- NOTE:
 1. MATERIAL:
 HOUSING: LIQUID CRYSTAL POLYMER (LCP), UL 94V-0, BLACK COLOR.
 CONTACTS: PHOSPHOR BRONZE.
 BOARDLOCKS: BRASS.
 2. FINISH:
 CONTACTS: (SEE TABLE) GOLD PLATED ON CONTACT AREA,
 3.81µm [150µ"] MIN. MATTE-TIN ON SOLDER TAIL, OVER
 1.27mm [50m"] MIN. NICKEL UNDERPLATED.
 BOARDLOCKS: 3.81µm [150µ"] MIN. TIN-Cu OVER
 1.27mm [50m"] MIN. UNDERPLATED.
 G, J, AND H INDICATES NUMBER OF POSITION MARKED ON ASSEMBLY.
 ALSO SEE TABLE.
 CONNECTOR SOLDER TAILS WILL ACCOMMODATE PRINTED CIRCUIT BOARD
 THICKNESS OF 0.80 TO 1.60 [.031 TO .063].
 BOARDLOCKS NOT PRESENT.
 6. WAVE SOLDER CAPABLE TO 265°C PER TEST SPEC.
 109-202, CONDITION B.
 GOLD FLASH OVER
 0.762µm [30µ"] MIN. PALLADIUM-NICKEL PLATED.
 OBSOLETE

LOC	DIST	P	LTR	DESCRIPTION	DATE	DWN	APVD	FINISH	PART NUMBER	POS.
				GOLD FLASH	5-1734037-6					
				0.381µm[15u"]	3-1734037-6	160				
					1-1734037-6					
				GOLD FLASH	5-1734037-4					
				0.381µm[15u"]	3-1734037-4	140				
					1-1734037-4					
				GOLD FLASH	2-1734037-0					
				0.381µm[15u"]	1-1734037-8	120				
					1-1734037-2					
				GOLD FLASH	5-1734037-1					
				0.381µm[15u"]	3-1734037-1	100				
					1-1734037-1					
				GOLD FLASH	5-1734037-0					
				0.381µm[15u"]	3-1734037-0	100				
					1-1734037-0					
				GOLD FLASH	4-1734037-7					
				0.381µm[15u"]	2-1734037-7	68				
					1734037-7					
				GOLD FLASH	4-1734037-6					
				0.381µm[15u"]	2-1734037-6	60				
					1734037-6					
				GOLD FLASH	4-1734037-5					
				0.381µm[15u"]	2-1734037-5	50				
					1734037-5					
				GOLD FLASH	4-1734037-4					
				0.381µm[15u"]	2-1734037-4	40				
					1734037-4					
				GOLD FLASH	4-1734037-2					
				0.381µm[15u"]	2-1734037-2	80				
					1734037-2					
				GOLD FLASH	4-1734037-1					
				0.381µm[15u"]	2-1734037-1	80				
					1734037-1					

THIS DRAWING IS A CONTROLLED DOCUMENT.

DIMENSIONS:	TOLERANCES UNLESS OTHERWISE SPECIFIED:
mm	0 PLC ± -
	1 PLC ± 0.3
	2 PLC ± 0.2
	3 PLC ± -
	4 PLC ± -
	ANGLES ± 3'
MATERIAL	FINISH
SEE NOTE	SEE NOTE

THIS DRAWING IS A CONTROLLED DOCUMENT.

DWN F. YANG 31MAR2009
 CHK S. CHIEN 31MAR2009
 APVD W. KODAMA 31MAR2009
 PRODUCT SPEC
 108-57876
 APPLICATION SPEC

NAME
 RECEPTACLE ASSEMBLY, R/A,
 BTB, CHAMP.050, SERIES I

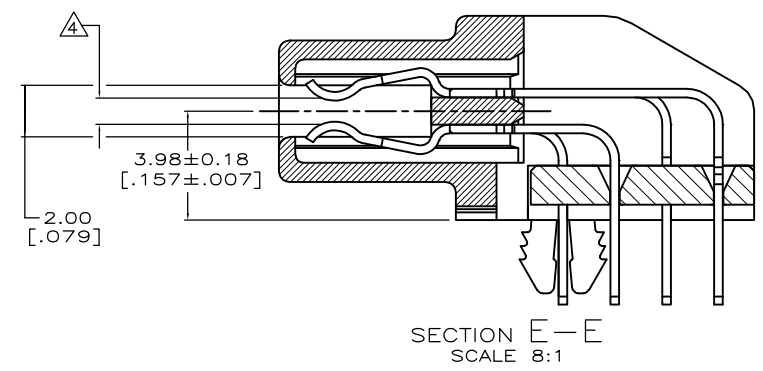
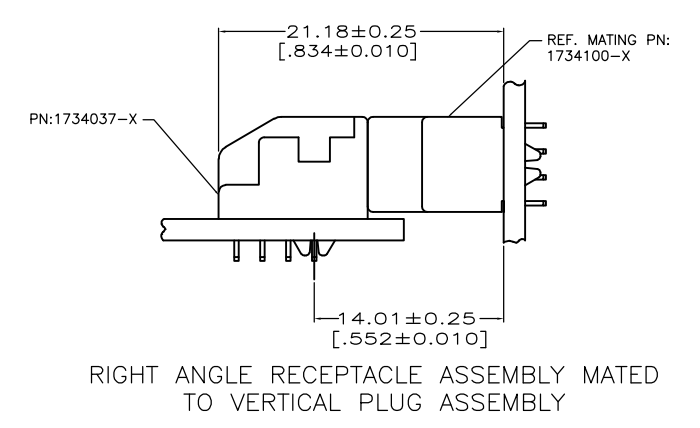
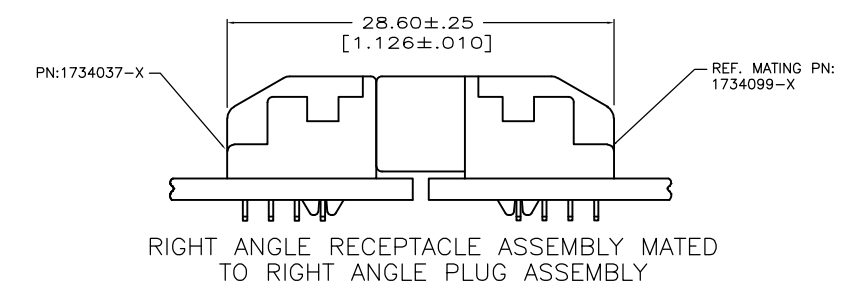
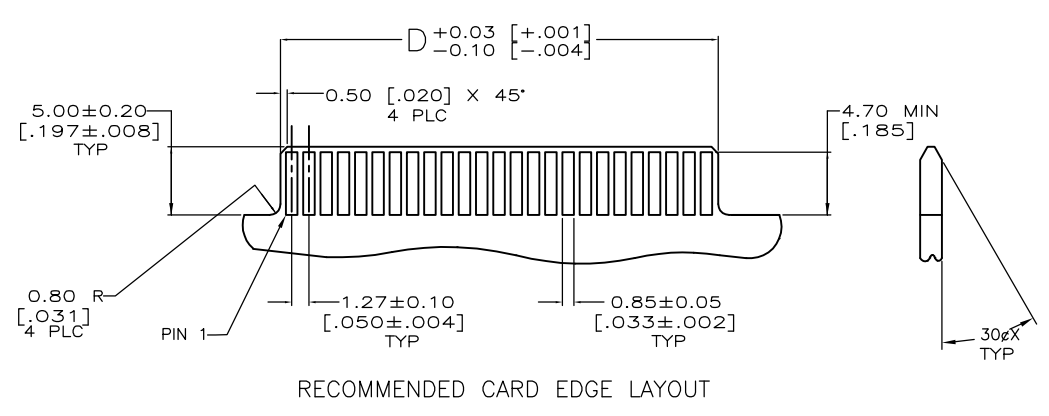
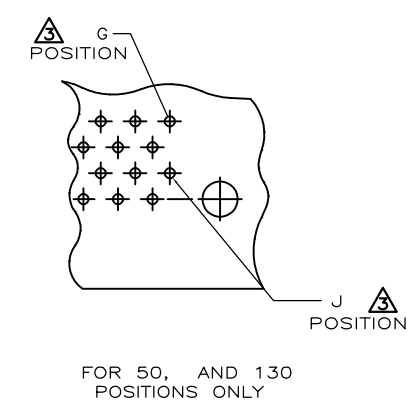
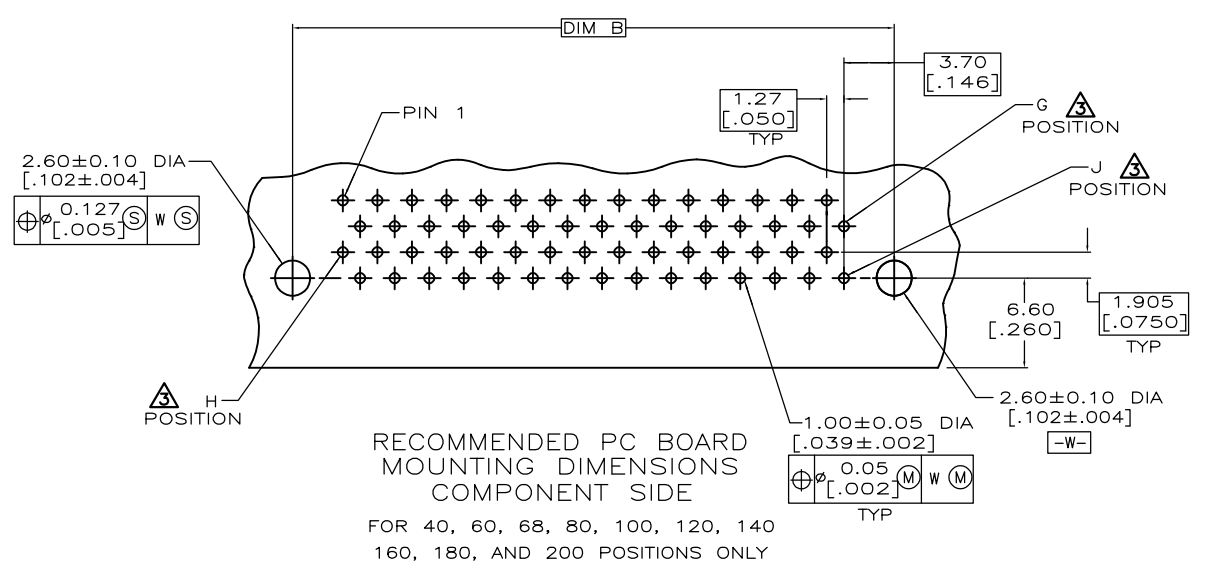
SIZE A3 CAGE CODE 00779 DRAWING NO C-1734037 RESTRICTED TO -

WEIGHT -

CUSTOMER DRAWING SCALE - SHEET 1 OF 4 REV G1

THIS DRAWING IS UNPUBLISHED. RELEASED FOR PUBLICATION
 © COPYRIGHT - By - ALL RIGHTS RESERVED.

LOC	DIST	REVISIONS					
		P	LTR	DESCRIPTION	DATE	DWN	APVD
DW	/	-	-	SEE SHEET 1	-	-	-



THIS DRAWING IS A CONTROLLED DOCUMENT.		DWN	-	STE TE Connectivity	
DIMENSIONS: mm		CHK	-		
TOLERANCES UNLESS OTHERWISE SPECIFIED:		APVD	-	NAME	
0 PLC	± -	PRODUCT SPEC	-	RECEPTACLE ASSEMBLY, R/A, BTB, CHAMP.050, SERIES I	
1 PLC	± -	APPLICATION SPEC	-	SIZE	CAGE CODE
2 PLC	± -	WEIGHT	-	A3	00779
3 PLC	± -	CUSTOMER DRAWING	-	DRAWING NO	C-1734037
4 PLC	± -			RESTRICTED TO	-
ANGLES	± -			SCALE	-
FINISH	± -			SHEET	2 OF 4
				REV	G1

THIS DRAWING IS UNPUBLISHED.

RELEASED FOR PUBLICATION

LOC

DIST

REVISIONS

© COPYRIGHT - By -

ALL RIGHTS RESERVED.

DW

P

LTR

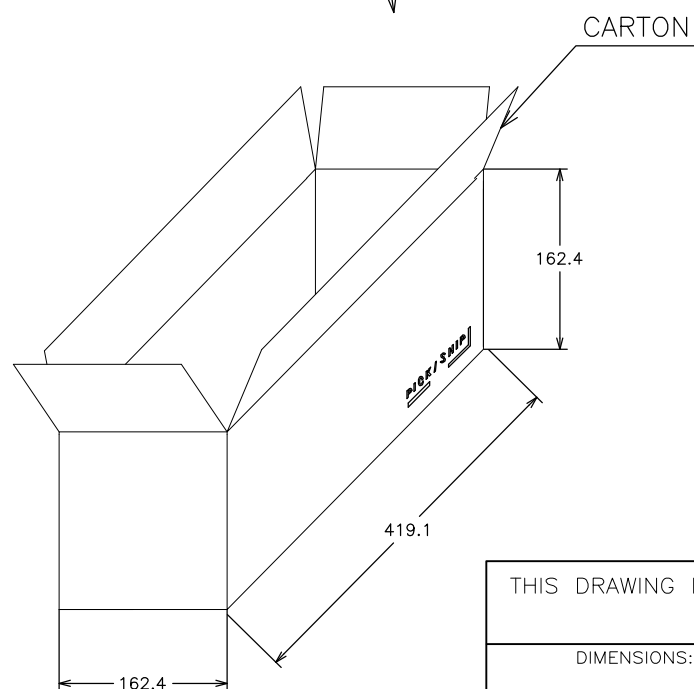
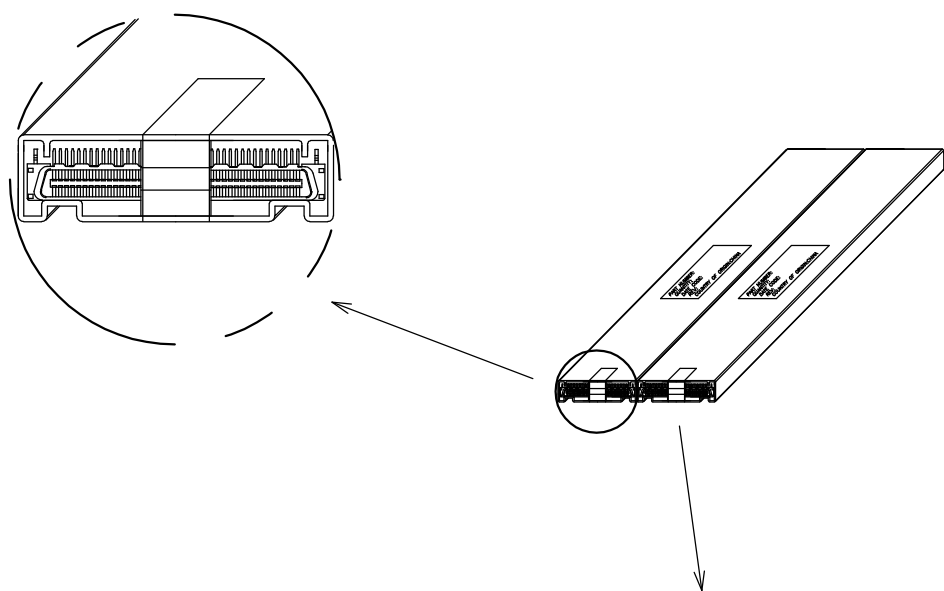
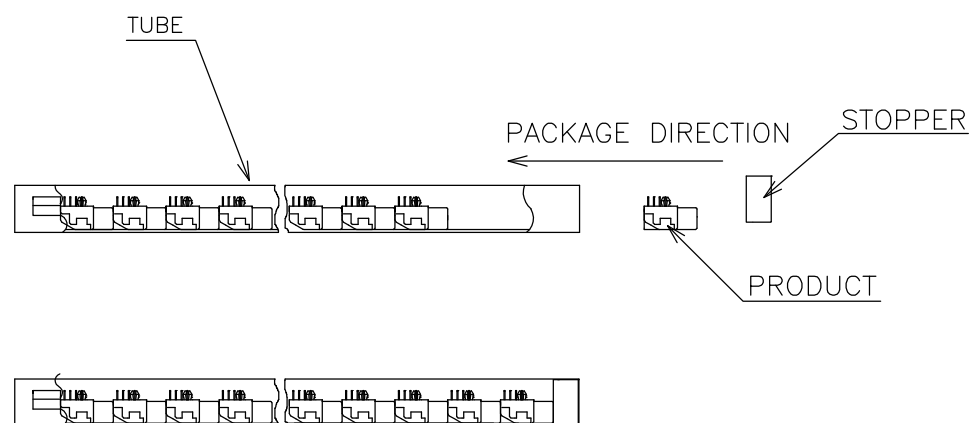
DESCRIPTION

DATE

DWN

APVD

SEE SHEET 1

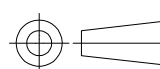


Ⓞ OBSOLETE

POS.	Q'TY/ TUBE	TUBE/ BOX	Q'TY/ BOX	N/W (KG)	G/W (KG)	PART NUMBER
						6-1734037-2
	80	21	16	336	2.06	4-1734037-2
						2-1734037-2
						1734037-2
	100	21	16	336	2.55	5-1734037-0
						3-1734037-0
						1-1734037-0
	80	21	16	336	2.08	4-1734037-1
						2-1734037-1
						1734037-1

THIS DRAWING IS A CONTROLLED DOCUMENT.

DIMENSIONS:
mm



TOLERANCES UNLESS OTHERWISE SPECIFIED:

0 PLC ± -

1 PLC ± -

2 PLC ± -

3 PLC ± -

4 PLC ± -

ANGLES ± -

FINISH

MATERIAL

DWN

CHK

APVD

PRODUCT SPEC

APPLICATION SPEC

WEIGHT

CUSTOMER DRAWING



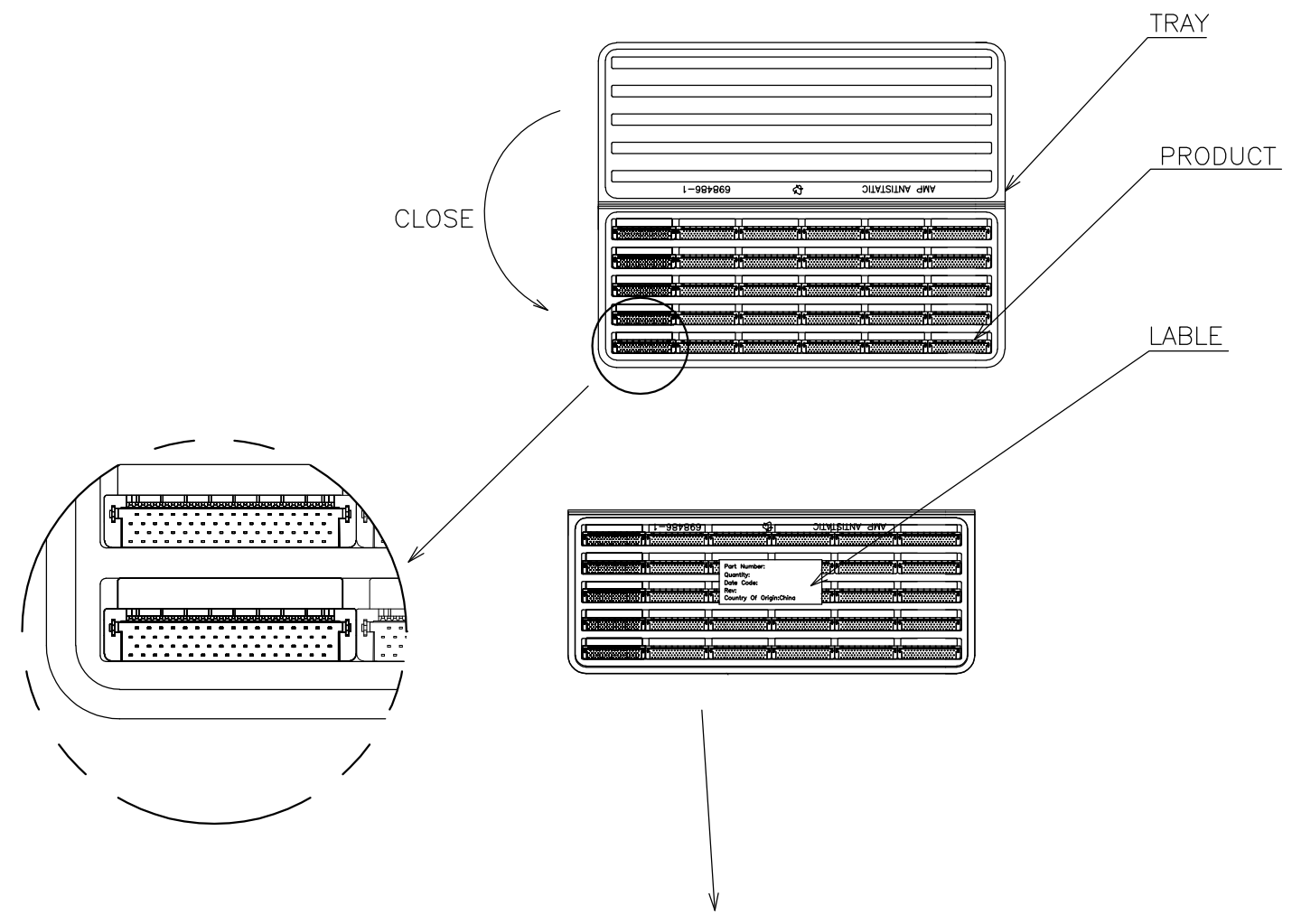
RECEPTACLE ASSEMBLY, R/A,
BTB, CHAMP.050, SERIES I

SIZE	CAGE CODE	DRAWING NO	RESTRICTED TO
A3	00779	C-1734037	

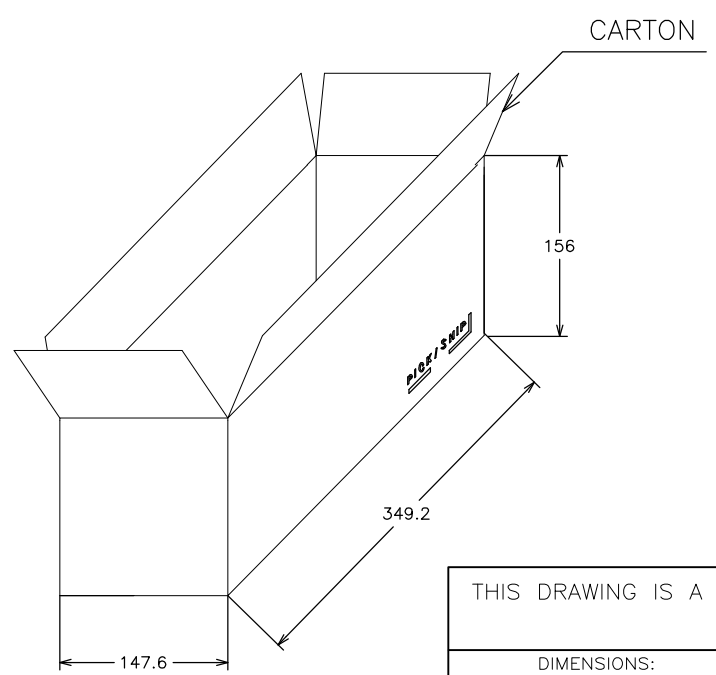
SCALE - SHEET 3 OF 4 REV G1

THIS DRAWING IS UNPUBLISHED. RELEASED FOR PUBLICATION
 © COPYRIGHT - By - ALL RIGHTS RESERVED.

LOC	DIST	REVISIONS					
DW		P	LTR	DESCRIPTION	DATE	DWN	APVD
		-		SEE SHEET 1	-	-	-



POS.	Q'TY/ TRAY	TRAY/ BOX	Q'TY/ BOX	N/W (KG)	G/W (KG)	PART NUMBER
ⓐ	160	10	100	1.33	2.28	5-1734037-6
						3-1734037-6
						1-1734037-6
	140	15	150	1.67	2.62	5-1734037-4
						3-1734037-4
ⓑ	120	15	150	1.35	2.30	1-1734037-8
						1-1734037-2
	100	20	200	1.43	2.43	5-1734037-1
						3-1734037-1
						1-1734037-1
	68	30	300	1.65	2.60	4-1734037-7
						2-1734037-7
						1734037-7
	60	30	300	1.60	2.60	4-1734037-6
						2-1734037-6
						1734037-6
	50	35	350	1.55	2.50	4-1734037-5
						2-1734037-5
						1734037-5
	40	45	450	1.55	2.45	4-1734037-4
						2-1734037-4
						1734037-4



THIS DRAWING IS A CONTROLLED DOCUMENT.

DIMENSIONS: mm	TOLERANCES UNLESS OTHERWISE SPECIFIED: 0 PLC ± - 1 PLC ± - 2 PLC ± - 3 PLC ± - 4 PLC ± - ANGLES ± -	DWN	TE Connectivity		
MATERIAL	FINISH	CHK	NAME		
		APVD	RECEPTACLE ASSEMBLY, R/A, BTB, CHAMP.050, SERIES I		
		PRODUCT SPEC	SIZE	CAGE CODE	DRAWING NO
		APPLICATION SPEC	A3	00779	C-1734037
		WEIGHT	RESTRICTED TO		
		CUSTOMER DRAWING	SCALE	SHEET	REV
			-	4 OF 4	G1

Mouser Electronics

Authorized Distributor

Click to View Pricing, Inventory, Delivery & Lifecycle Information:

[TE Connectivity:](#)

[1734037-1](#)