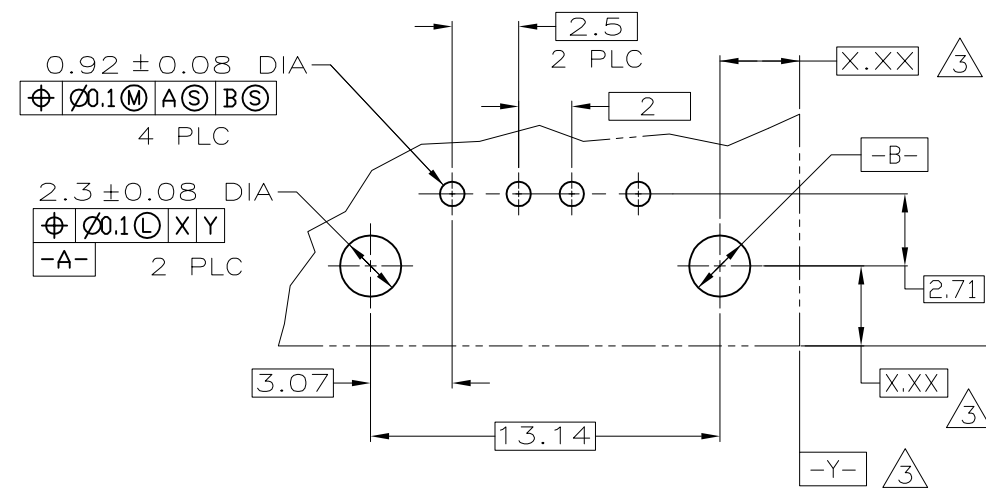
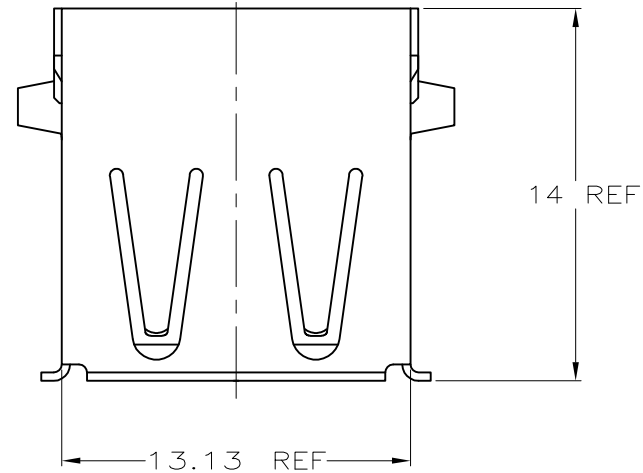
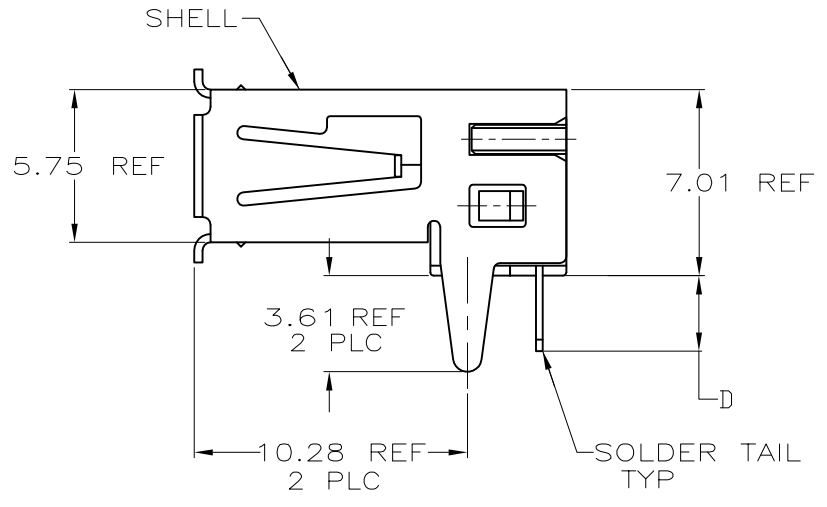
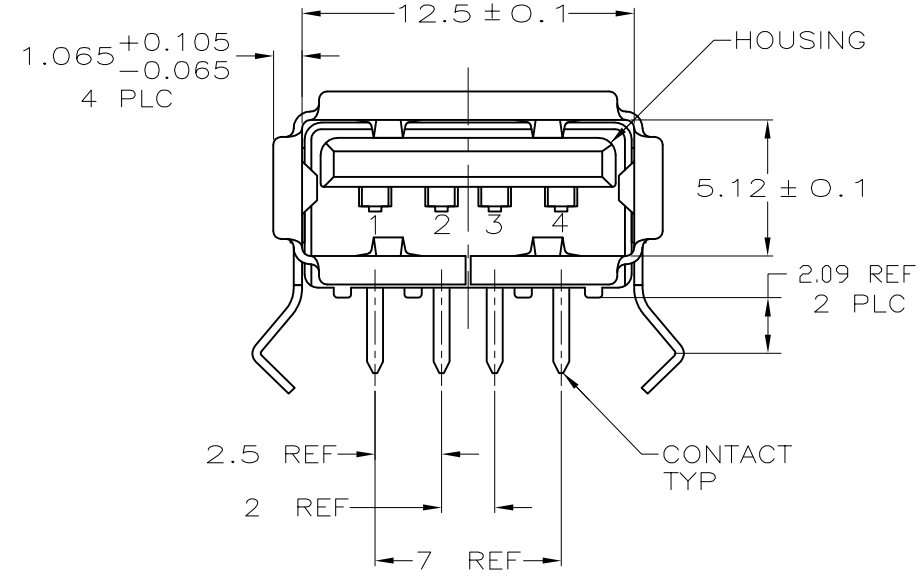


LOC		DIST		REVISIONS			
P	LTR	DESCRIPTION	DATE	DWN	APVD		
ES	00						
	E12	REVISED PER ECR-17-010413	20JUL17	T.Z	H.W		



PC BOARD MOUNTING DIMENSIONS ④



- ① MATERIAL:  
 SHELL- STAINLESS STEEL.  
 CONTACTS- COPPER ALLOY.  
 HOUSING: UL 94V-0 RATED, THERMOPLASTIC, COLOR SEE TABLE.
- ② PLATING:  
 CONTACTS: 0.076μm MINIMUM GOLD OVER 0.76μm MINIMUM PALLADIUM-NICKEL ON MATING AREA.  
 3.8μm MINIMUM MATTE TIN ON SOLDER TAILS.  
 BOTH OVER 1.27μm MINIMUM NICKEL.  
 CONTACT ALTERNATE PLATING: 0.76μm MIN GOLD ON MATING AREA, 3.80μm MIN MATTE TIN ON SOLDER TAILS, BOTH OVER 1.27μm MIN NICKEL.  
 SHELL: 2~5μm MINIMUM BRIGHT TIN
- ③ DATUM AND BASIC DIMENSIONS ESTABLISHED BY CUSTOMER.
- ④ RECOMMENDED PC BOARD THICKNESS OF 1.57.
- ⑤ PLATING:  
 CONTACTS: 0.76μm MINIMUM PALLADIUM-NICKEL ON MATING AREA.  
 3.8μm MINIMUM MATTE TIN ON SOLDER TAILS.  
 BOTH OVER 1.27μm MINIMUM NICKEL.  
 SHELL: 2~5μm MINIMUM BRIGHT TIN

⑤	YES	2.84	BLACK	2-292303-0 ⑤⑨
②	YES	2.29	BLACK	1-292303-9 ⑤⑧
②	NO	3.81	BLACK	1-292303-5
②	NO	3.56	BLACK	1-292303-4
②	NO	3.20	BLACK	1-292303-3
②	YES	3.30	BLACK	1-292303-2
②	YES	2.29	BLACK	292303-6
②	YES	2.84	NATURAL	292303-5
②	YES	2.84	BLACK	292303-4
②	NO	2.84	NATURAL	292303-3
②	NO	2.29	BLACK	292303-2
②	NO	2.84	BLACK	292303-1
CONTACT PLATING	HIGH TEMPERATURE COMPATIBLE	D	HOUSING COLOR	PART NUMBER

THIS DRAWING IS A CONTROLLED DOCUMENT.

DIMENSIONS: mm	TOLERANCES UNLESS OTHERWISE SPECIFIED:	DWN J. JIANG 19FEB04	
0 PLC ± -	1 PLC ± -	CHK S. YAO 19FEB04	
2 PLC ± 0.25	3 PLC ± -	APVD T. SASAKI 19FEB04	NAME
4 PLC ± -	ANGLES ± -	PRODUCT SPEC 108-60034	RECEPTACLE ASSEMBLY RIGHT
MATERIAL ①	SEE TABLE	APPLICATION SPEC	ANGLE, 4 POSITION, T/H & SMT
		WEIGHT -	USB, LEAD FREE VERSION
		CUSTOMER DRAWING	SIZE A2 CAGE CODE 00779 DRAWING NO C=292303 RESTRICTED TO -
			SCALE 5:1 SHEET 1 OF 4 REV E12

4

3

2

1

THIS DRAWING IS UNPUBLISHED.

RELEASED FOR PUBLICATION

© COPYRIGHT - By -

ALL RIGHTS RESERVED.

LOC  
ESDIST  
00

REVISIONS

P	LTR	DESCRIPTION	DATE	DWN	APVD
-	-	SEE SHEET 1	-	-	-

7.00  
2.00  
0.60  
1.16  
14 REF  
13.13 REF

Ø2.30  
1.25  
13.14  
3.50  
1.00  
3.00  
2.18

⚠ MATERIAL:  
 ① SHELL- STAINLESS STEEL  
 CONTACTS- COPPER ALLOY.  
 HOUSING: UL 94V-0 RATED, THERMOPLASTIC, COLOR SEE TABLE.

⚠ PLATING:  
 CONTACTS: 0.076 μm MINIMUM GOLD OVER 0.76 μm MINIMUM PALLADIUM-NICKEL ON MATING AREA.  
 3.8 μm MINIMUM MATTE TIN ON SOLDER TAILS.  
 BOTH OVER 1.27 μm MINIMUM NICKEL.  
 CONTACT ALTERNATE PLATING: 0.76 μm MIN GOLD ON MATING AREA, 3.80 μm MIN MATTE TIN ON SOLDER TAILS, BOTH OVER 1.27 μm MIN NICKEL.  
 SHELL: 2~5 μm MINIMUM BRIGHT TIN

⚠ RECOMMENDED PC BOARD THICKNESS OF 1.42.

RECOMMENDED PC BOARD MOUNTING LAYOUT ⚠  
 (TOLERANCE=±0.05)

1.065 +0.105 / -0.065  
4 PLC  
12.5 ± 0.1  
HOUSING  
5.12 ± 0.1  
4.13  
1.89 REF  
2 PLC

5.75 REF  
SHELL  
7.01 REF  
3.61 REF  
2 PLC  
SOLDER TAIL TYP  
10.28 REF  
2 PLC

YES	BLACK	3-292303-1 (E10)
YES	BLACK	1-292303-1
YES	NATURAL	292303-7
HIGH TEMPERATURE COMPATIBLE	HOUSING COLOR	PART NUMBER

THIS DRAWING IS A CONTROLLED DOCUMENT.		DWN	19FEB04	TE Connectivity	
DIMENSIONS: mm		J. JIANG	19FEB04		
TOLERANCES UNLESS OTHERWISE SPECIFIED:		CHK	S. YAO		
0 PLC ± - 1 PLC ± - 2 PLC ± 0.25 3 PLC ± - 4 PLC ± - ANGLES ± - FINISH ± -		APVD	T. SASAKI		
MATERIAL ⚠ 1		PRODUCT SPEC	108-60034		
		APPLICATION SPEC	-	NAME	RECEPTACLE ASSEMBLY RIGHT ANGLE, 4 POSITION, T/H & SMT USB, LEAD FREE VERSION
		WEIGHT	-	SIZE	A2
		CUSTOMER DRAWING		CAGE CODE	00779
				DRAWING NO	C=292303
				RESTRICTED TO	-
				SCALE	5:1
				SHEET	2 OF 4
				REV	E12

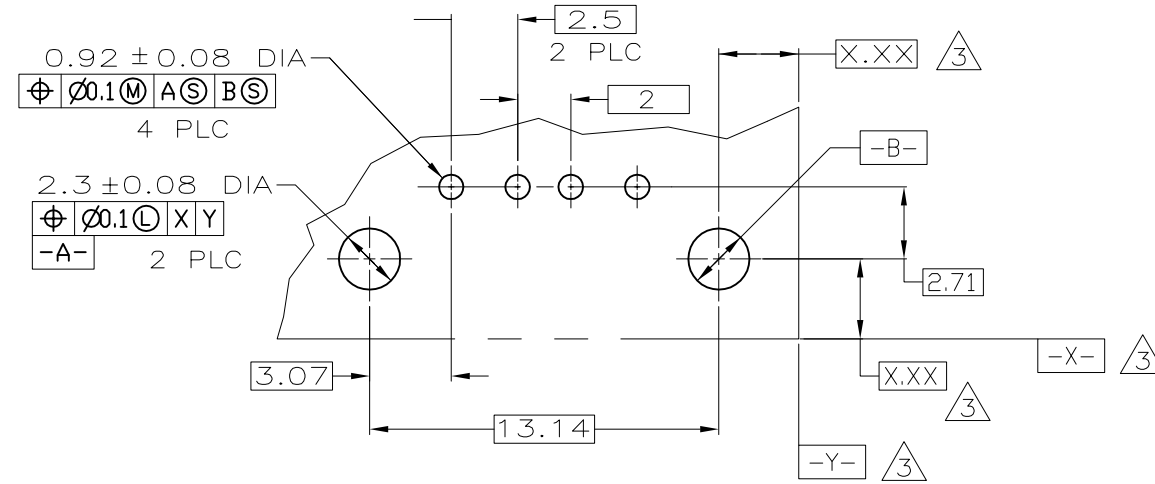
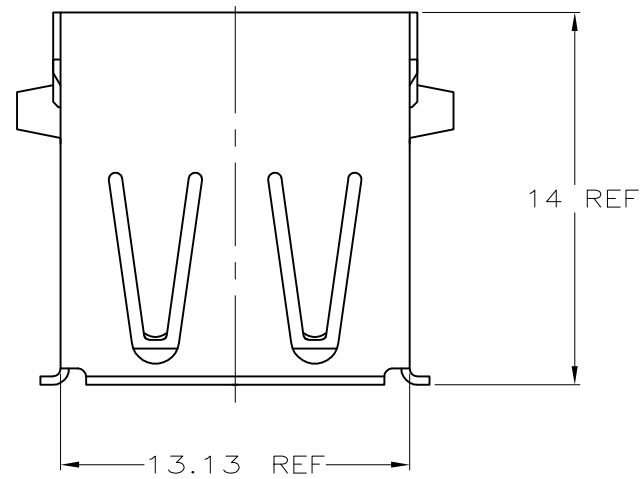
1471-9 (3/11)

292303

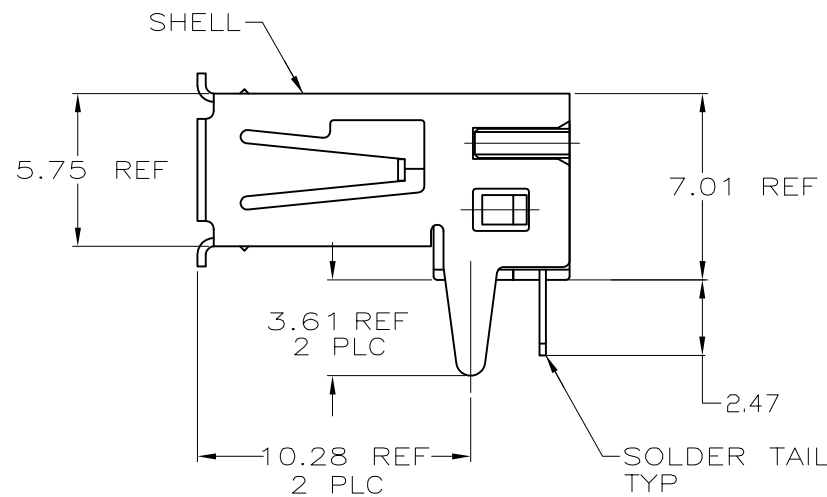
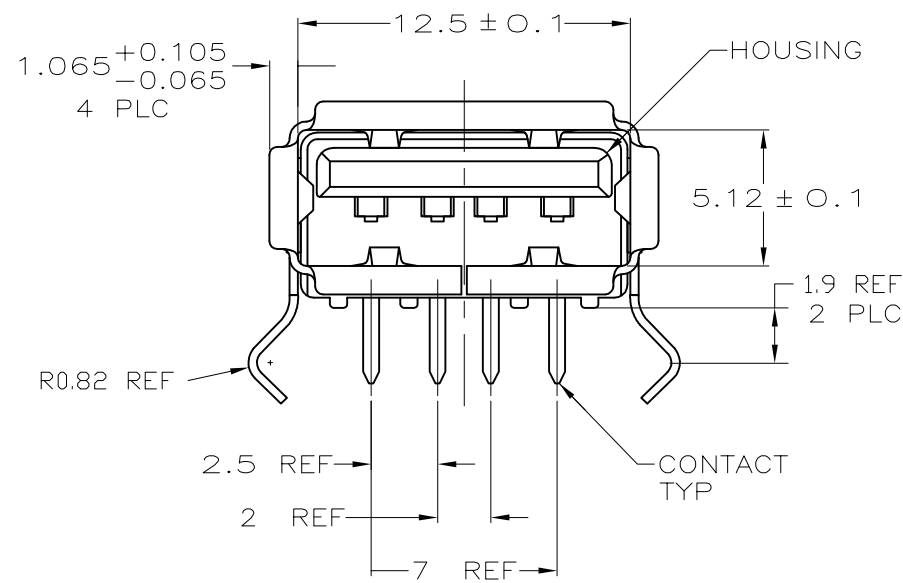
B

A

LOC	DIST	REVISIONS			
P	LTR	DESCRIPTION	DATE	DWN	APVD
ES	00	SEE SHEET 1	-	-	-



PC BOARD MOUNTING DIMENSIONS <sup>4</sup>



- <sup>1</sup> MATERIAL:  
 ① SHELL- STAINLESS STEEL.  
 CONTACTS- COPPER ALLOY.  
 HOUSING: UL 94V-0 RATED, THERMOPLASTIC, COLOR SEE TABLE.
- <sup>2</sup> PLATING:  
 CONTACTS: 0.076 μm MINIMUM GOLD OVER 0.76 μm MINIMUM PALLADIUM-NICKEL ON MATING AREA.  
 3.8 μm MINIMUM MATTE TIN ON SOLDER TAILS.  
 BOTH OVER 1.27 μm MINIMUM NICKEL.  
 CONTACT ALTERNATE PLATING: 0.76 μm MIN GOLD ON MATING AREA, 3.80 μm MIN MATTE TIN ON SOLDER TAILS, BOTH OVER 1.27 μm MIN NICKEL.  
 SHELL: 2~5 μm MINIMUM BRIGHT TIN
- <sup>3</sup> DATUM AND BASIC DIMENSIONS ESTABLISHED BY CUSTOMER.
- <sup>4</sup> RECOMMENDED PC BOARD THICKNESS OF 1.2.

NO	NATURAL	292303-8
HIGH TEMPERATURE COMPATIBLE	HOUSING COLOR	PART NUMBER

THIS DRAWING IS A CONTROLLED DOCUMENT.		DWN J.JIANG 19FEB04	<b>STE</b> TE Connectivity	
DIMENSIONS: mm		CHK S.YAO 19FEB04		
TOLERANCES UNLESS OTHERWISE SPECIFIED:		APVD T.SASAKI 19FEB04	NAME	
0 PLC ± -	1 PLC ± -	PRODUCT SPEC	RECEPTACLE ASSEMBLY RIGHT	
2 PLC ± 0.25	3 PLC ± -	108-60034	ANGLE, 4 POSITION, T/H & SMT	
4 PLC ± -	ANGLES ± -	APPLICATION SPEC	USB, LEAD FREE VERSION	
MATERIAL <sup>1</sup>	FINISH <sup>2</sup>	WEIGHT -	SIZE A2	RESTRICTED TO -
		CAGE CODE 00779	DRAWING NO C=292303	
		CUSTOMER DRAWING	SCALE 5:1	SHEET 3 OF 4
				REV E12

4 3 2 1

THIS DRAWING IS UNPUBLISHED. RELEASED FOR PUBLICATION  
 © COPYRIGHT - By - ALL RIGHTS RESERVED.

LOC			DIST			REVISIONS			
P	LTR	DESCRIPTION	DATE	DWN	APVD				
ES	00	SEE SHEET 1	-	-	-				

RECOMMENDED MOUNTING PANEL CUTOUT

⚠ MATERIAL:  
 Ⓛ SHELL- STAINLESS STEEL.  
 CONTACTS- COPPER ALLOY.  
 HOUSING: UL 94V-0 RATED, THERMOPLASTIC, COLOR SEE TABLE.

⚠ PLATING:  
 CONTACTS: 0.076 μm MINIMUM GOLD OVER 0.76 μm MINIMUM PALLADIUM-NICKEL ON MATING AREA.  
 3.8 μm MINIMUM MATTE TIN ON SOLDER TAILS.  
 BOTH OVER 1.27 μm MINIMUM NICKEL.  
 CONTACT ALTERNATE PLATING: 0.76 μm MIN GOLD ON MATING AREA, 3.80 μm MIN MATTE TIN ON SOLDER TAILS, BOTH OVER 1.27 μm MIN NICKEL.  
 SHELL: 2~5 μm MINIMUM BRIGHT TIN

⚠ PANEL IS NEEDED FOR CUSTOMER.  
 ⚠ THIS P/N IS PRELIMINARY.

RECOMMENDED PC BOARD MOUNTING LAYOUT (TOLERANCE=±0.05)

YES	BLACK	1-292303-6 ⚠
YES	NATURAL	292303-9
HIGH TEMPERATURE COMPATIBLE	HOUSING COLOR	PART NUMBER

THIS DRAWING IS A CONTROLLED DOCUMENT.		DWN J.JIANG 19FEB04		
DIMENSIONS: mm		CHK S.YAO 19FEB04		
TOLERANCES UNLESS OTHERWISE SPECIFIED:		APVD T.SASAKI 19FEB04	NAME	
0 PLC ± -	1 PLC ± -	PRODUCT SPEC	RECEPTACLE ASSEMBLY RIGHT	
2 PLC ± 0.25	3 PLC ± -	108-60034	ANGLE, 4 POSITION, T/H & SMT	
4 PLC ± -	ANGLES ± -	APPLICATION SPEC	USB, LEAD FREE VERSION	
MATERIAL ⚠	FINISH ⚠	WEIGHT -	SIZE A2	CAGE CODE 00779
		CUSTOMER DRAWING	DRAWING NO C=292303	RESTRICTED TO -
		SCALE 5:1	SHEET 4 OF 4	REV E12

1471-9 (3/11)

292303

# Mouser Electronics

Authorized Distributor

Click to View Pricing, Inventory, Delivery & Lifecycle Information:

[TE Connectivity:](#)

[1-292303-1](#)