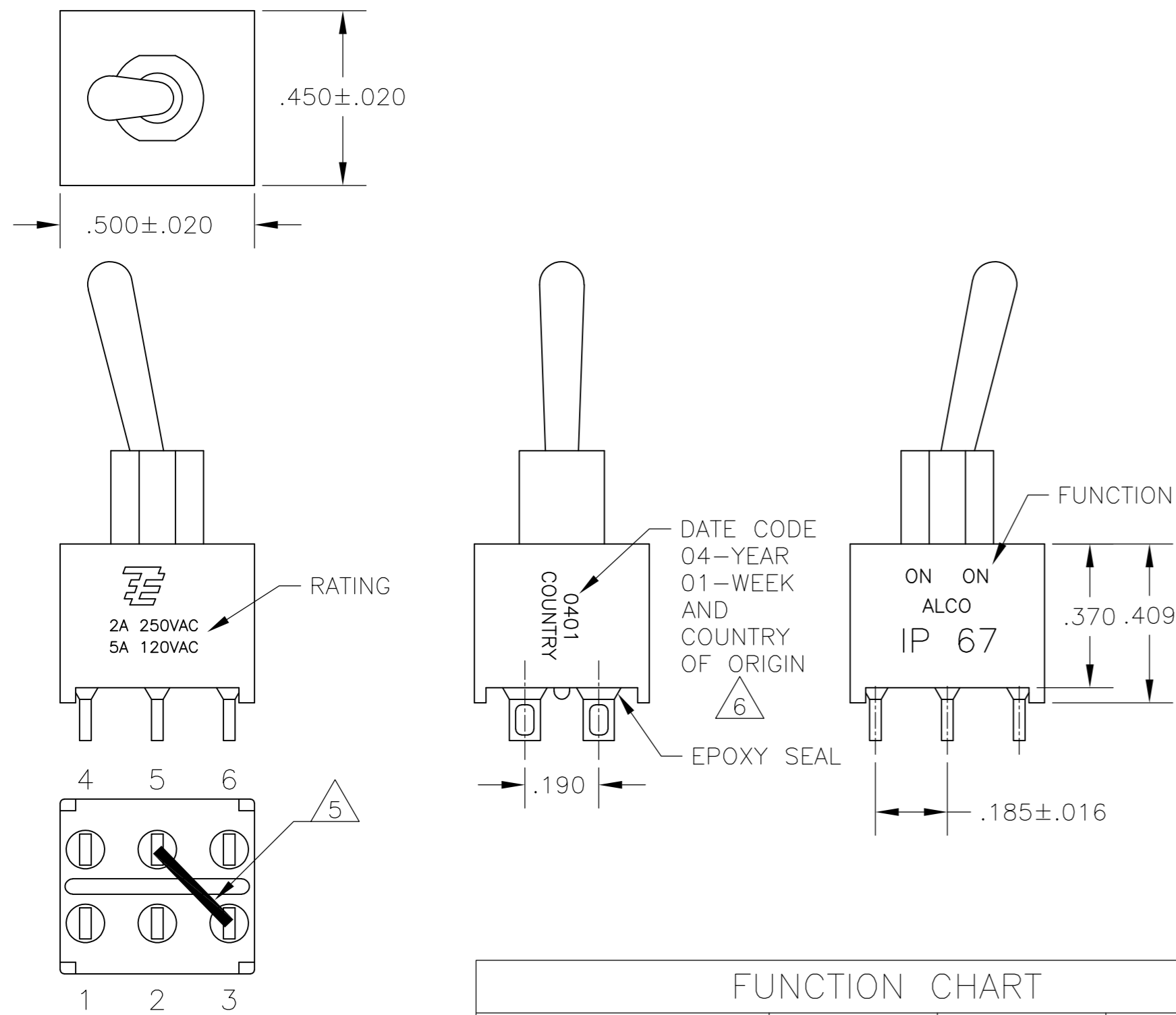


THIS DRAWING IS UNPUBLISHED. RELEASED FOR PUBLICATION
 © COPYRIGHT - By - ALL RIGHTS RESERVED.

LOC		DIST		REVISIONS			
P	LTR	DESCRIPTION		DATE	DWN	APVD	
AD	00	A5	REVISED PER ECO-14-005988	23APR2014	NK	RH	



- 1 ALL MATERIALS AND FINISHES SHALL COMPLY WITH EU DIRECTIVE 2002/95/EC OF 27JAN2003 (ROHS).
- 2 G CONTACT OPTION CAN BE USED FOR SIGNAL OR POWER LEVEL SWITCHING. IF SWITCH IS USED AT LEVELS EXCEEDING .4VA @ 20V AC/DC, SWITCH IS RENDERED FOR POWER SWITCHING ONLY DUE TO ARC REMOVAL OF GOLD PLATING. RATING MARKED ON SWITCH IS 2A 250VAC, 5A 120 VAC.
- 3 SWITCHES MEETS REQUIREMENTS OF IP67.
- 5 SP3T FUNCTION ACHIEVED WITH FUNCTIONS 11, 13 & 15 BY CUSTOMER APPLIED JUMPER BETWEEN TERMINALS 3 AND 5.
- 6 DATE CODE AND COUNTRY OF ORIGIN MAY APPEAR ON EITHER SIDE OF SWITCH.
- 7 ALL LOGO, RATING, DATE CODE, AND FUNCTION MARKINGS TO BE LASER MARKED.

SPECIFICATIONS CHART	
RATING, B CONTACTS	.4VA MAX @20V MAX. AC OR DC
RATING, G CONTACTS--SEE NOTE 2	.4VA MAX @20V MAX. AC OR DC OR 5A @120 VAC OR 28 VDC (RESISTIVE)
	2A @250 VAC (RESISTIVE)
RATING, Q CONTACTS	5A @120 VAC OR 28 VDC (RESISTIVE)
	2A @250 VAC (RESISTIVE)
ELECTRICAL LIFE	6,000 CYCLES AT RATED LOAD
CONTACT RESISTANCE	10 MILLIOHMS MAX INITIAL @ 2-4VDC, 100ma
INSULATION RESISTANCE	1,000 MEGOHMS MIN
DIELECTRIC WITHSTANDING VOLTAGE	1,000 V RMS AT SEA LEVEL
OPERATING TEMPRATURE	-30C TO 85C

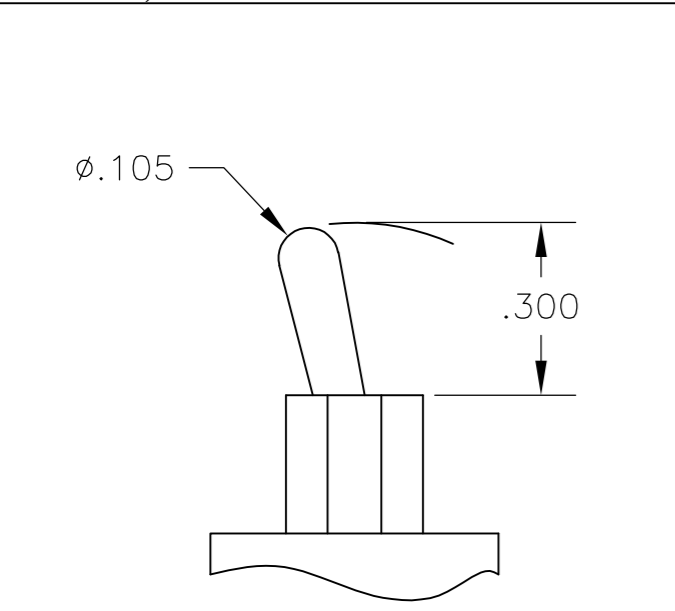
FUNCTION CHART			
FUNCTION	1 2 3 4 5 6	1 2 3 4 5 6	1 2 3 4 5 6
01	ON	NONE	ON
03	ON	OFF	ON
05	(ON)	OFF	(ON)
07	ON	OFF	(ON)
08	ON	NONE	(ON)
TERMINALS CONNECTED	2-3, 5-6	---	1-2, 4-5
11	ON	ON	ON
13	ON	ON	(ON)
15	(ON)	ON	(ON)
TERMINALS CONNECTED	2-3, 5-6	2-3, 4-5	1-2, 4-5
SP3T SCHEMATIC (11, 13 & 15 ONLY) SEE NOTE 6			
	IN 2, OUT 6	IN 2, OUT 4	IN 2, OUT 1
None: No mechanical position Off: Mechanical position with no electrical connection (On): Momentary action			

PART NUMBER SEQUENCE CHART						
MODEL	FUNCTION	TOGGLE	BUSHING	TERMINAL	CONTACT	RoHS
AE2	01	M	D1	A	B	04
EXAMPLE: AE201MD1AB04	03	S		AV2	G	
	05			C	Q	
	07			V30		
	08			V40		
	11			W		
	13			W4		
	15			Z		
				Z3		

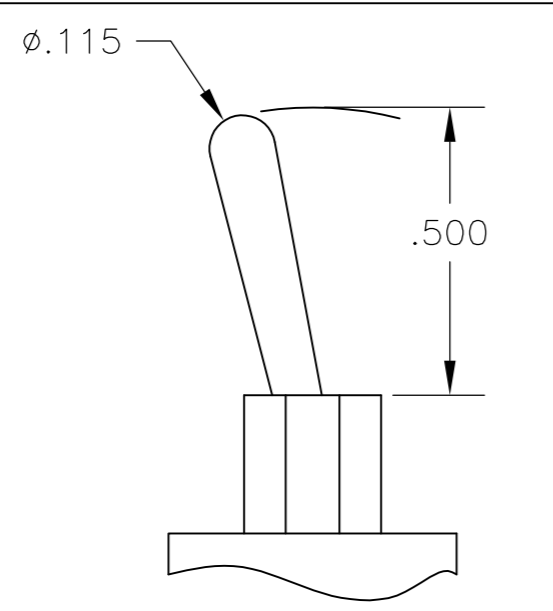
THIS DRAWING IS A CONTROLLED DOCUMENT.		DWN M. ZITTO 23MAY05			GEMINI AE SERIES TOGGLE SWITCH, DOUBLE POLE	
DIMENSIONS: INCHES		CHK M. ZITTO				
TOLERANCES UNLESS OTHERWISE SPECIFIED:		APVD M. ZITTO	NAME		SIZE A2	CAGE CODE 00779
0 PLC ± -		PRODUCT SPEC	DRAWING NO C=1825143		RESTRICTED TO	
1 PLC ± -		APPLICATION SPEC	SCALE 3:1		SHEET 1 of 3	
2 PLC ± -			REV A5			
3 PLC ± .010						
4 PLC ± -						
ANGLES ± 2°						
FINISH		WEIGHT -				
MATERIAL -		CUSTOMER DRAWING				

THIS DRAWING IS UNPUBLISHED. RELEASED FOR PUBLICATION
 © COPYRIGHT - By - ALL RIGHTS RESERVED.

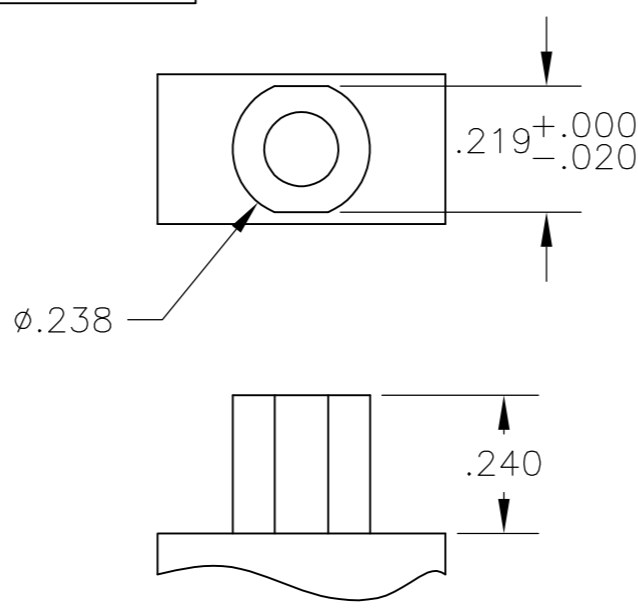
LOC		DIST		REVISIONS			
P	LTR	DESCRIPTION	DATE	DWN	APVD		
AD	00	SEE SHEET 1	-	-	-	-	-



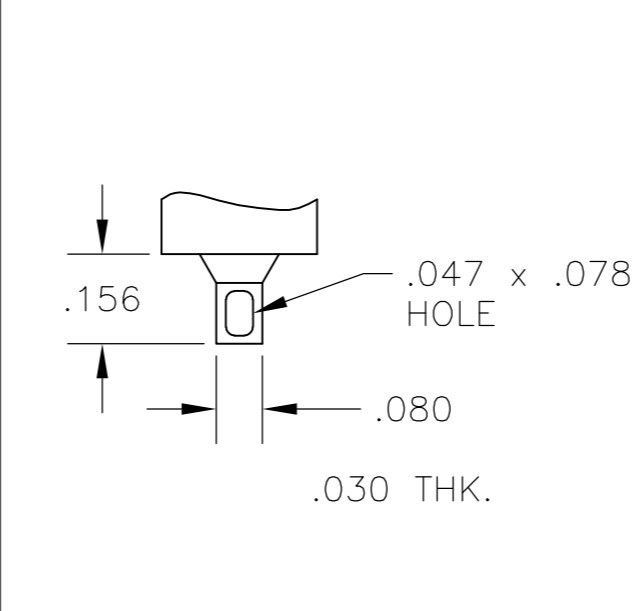
M SHORT



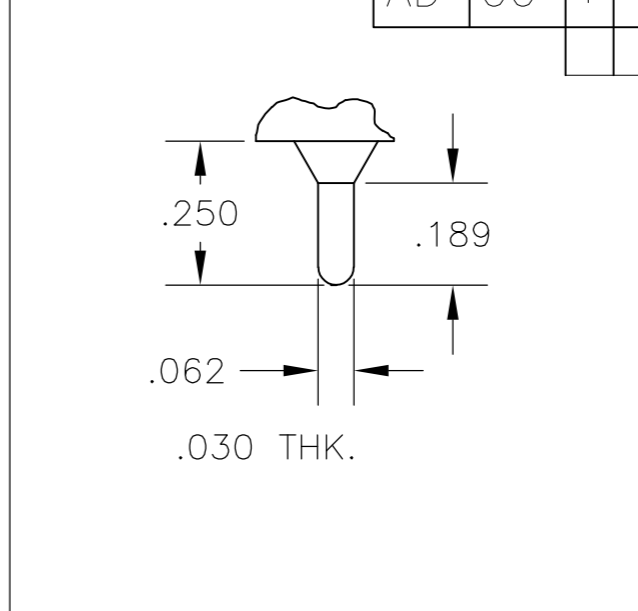
S STANDARD



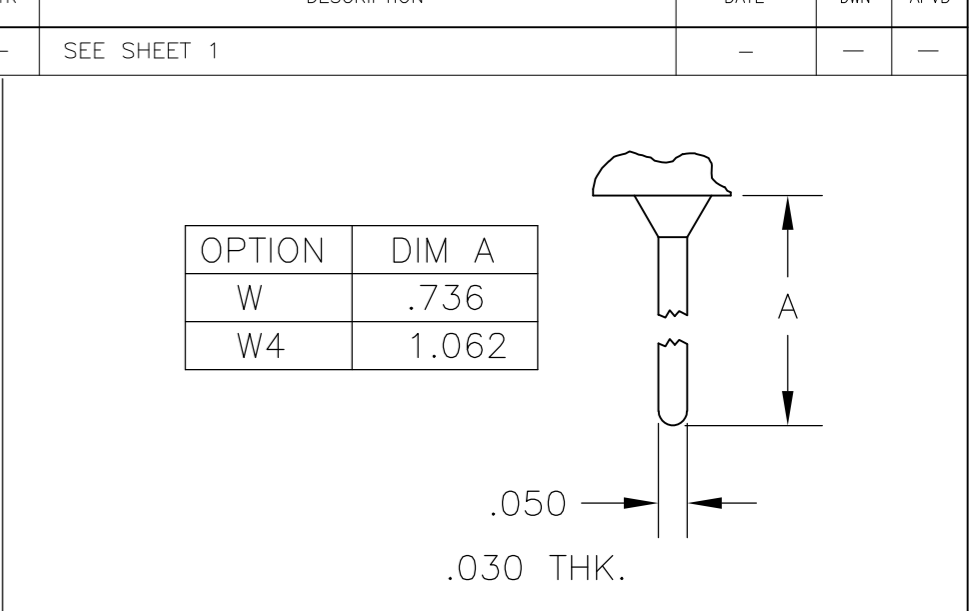
D1 BUSHING



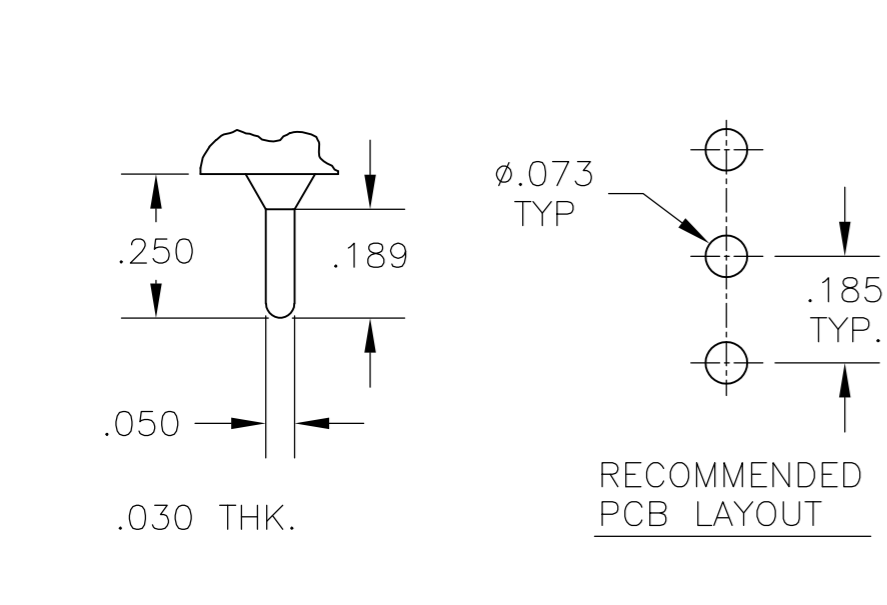
Z WIRE LUG



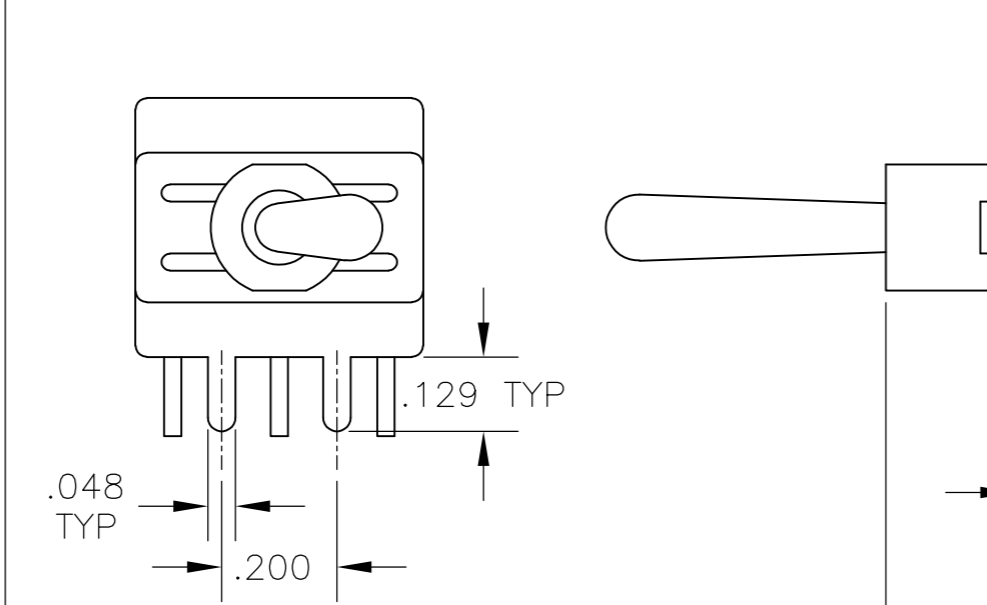
Z3 QUICK CONNECT



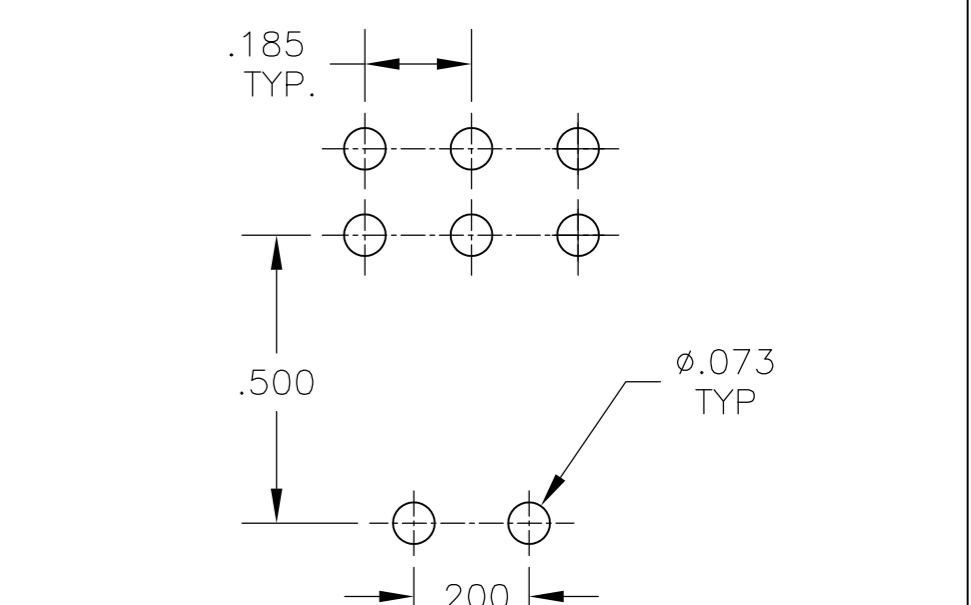
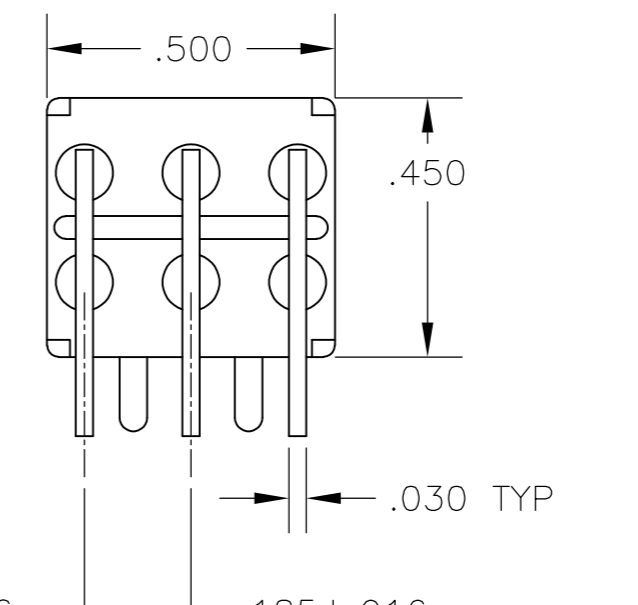
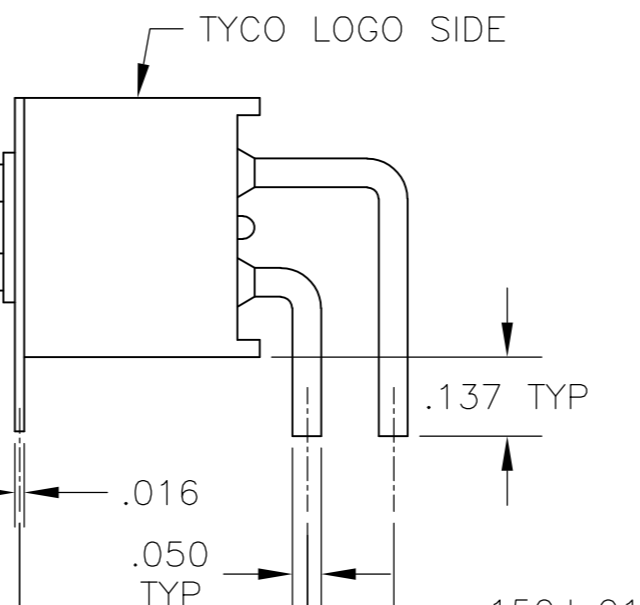
W W4 WIRE WRAP



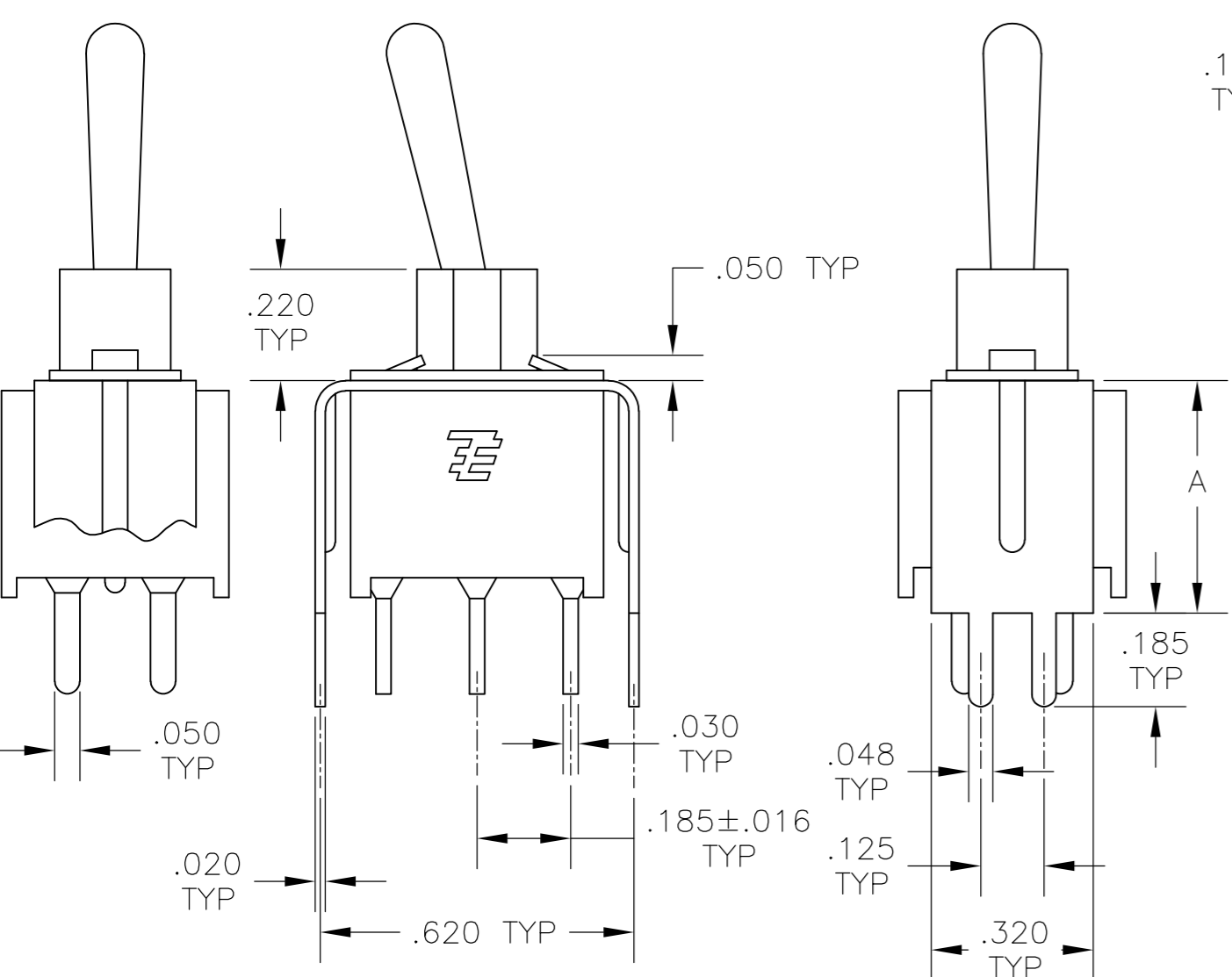
C PRINTED CIRCUIT



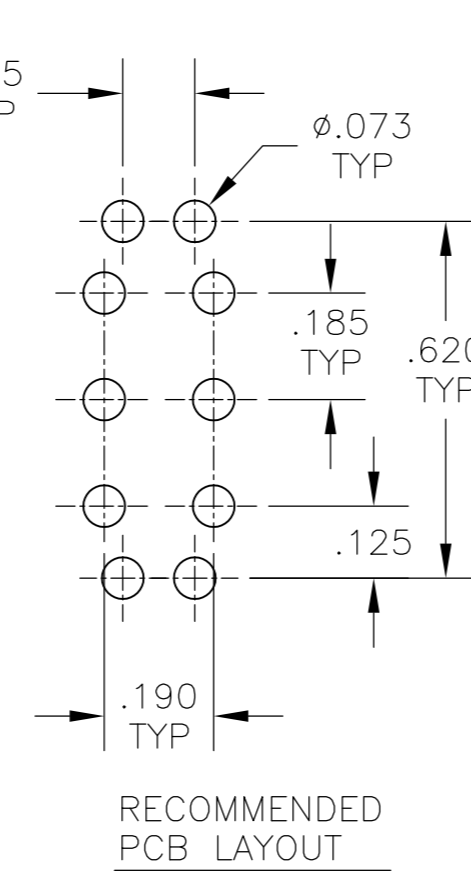
A RIGHT ANGLE



RECOMMENDED PCB LAYOUT

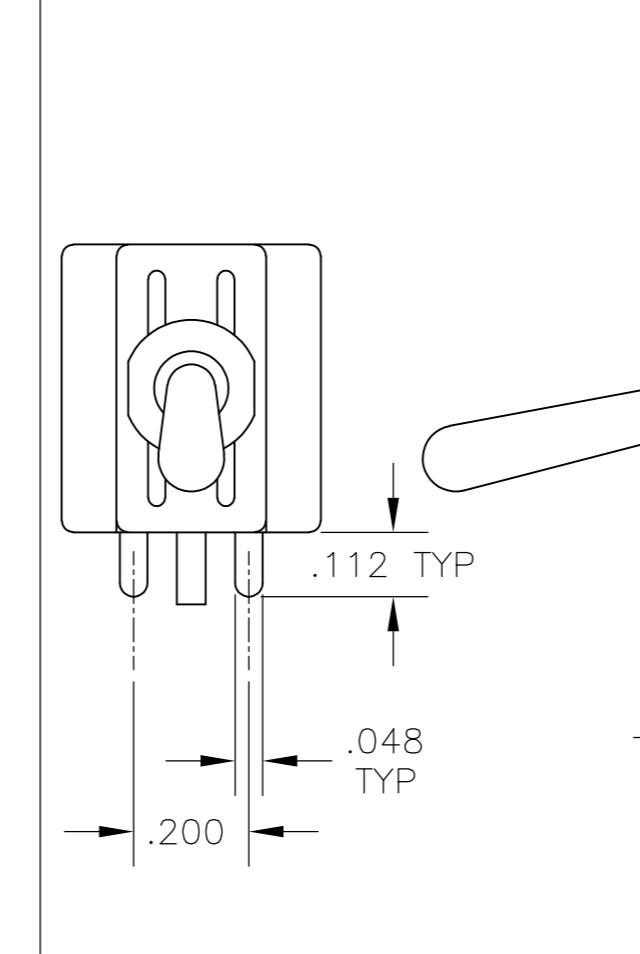


V30 V40 VERTICAL SUPPORT BRACKET

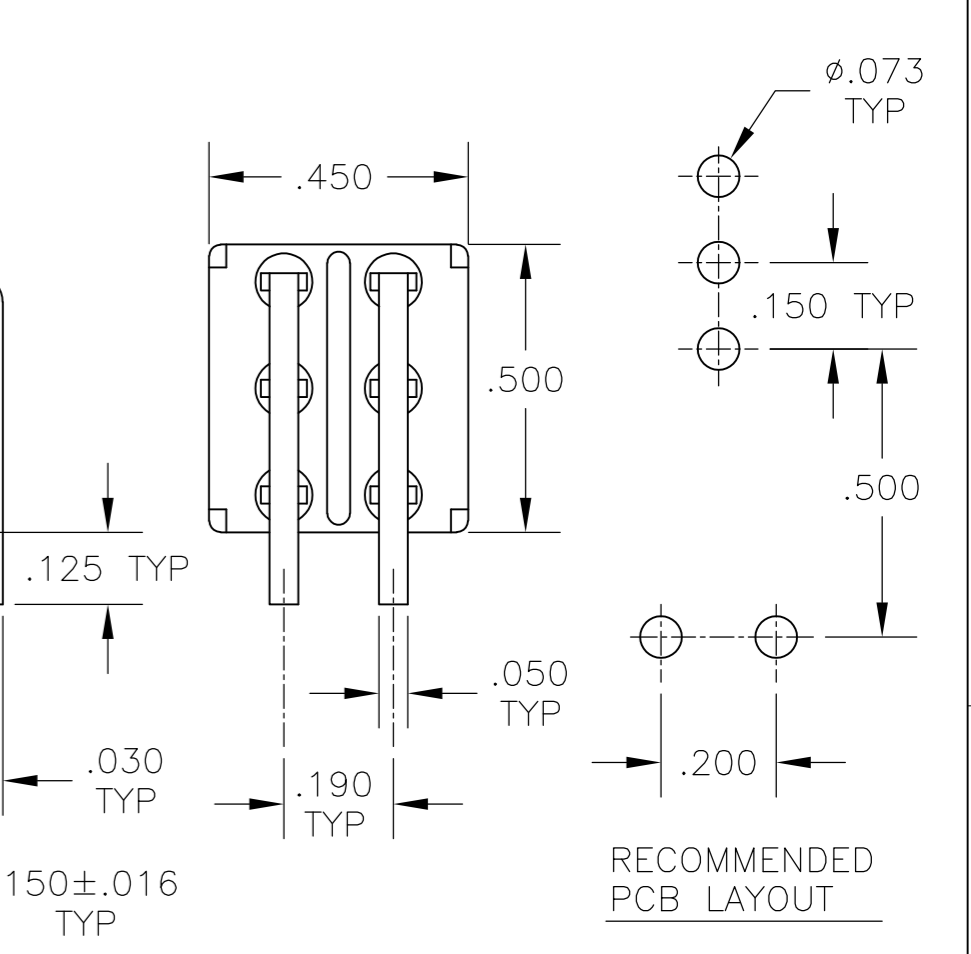
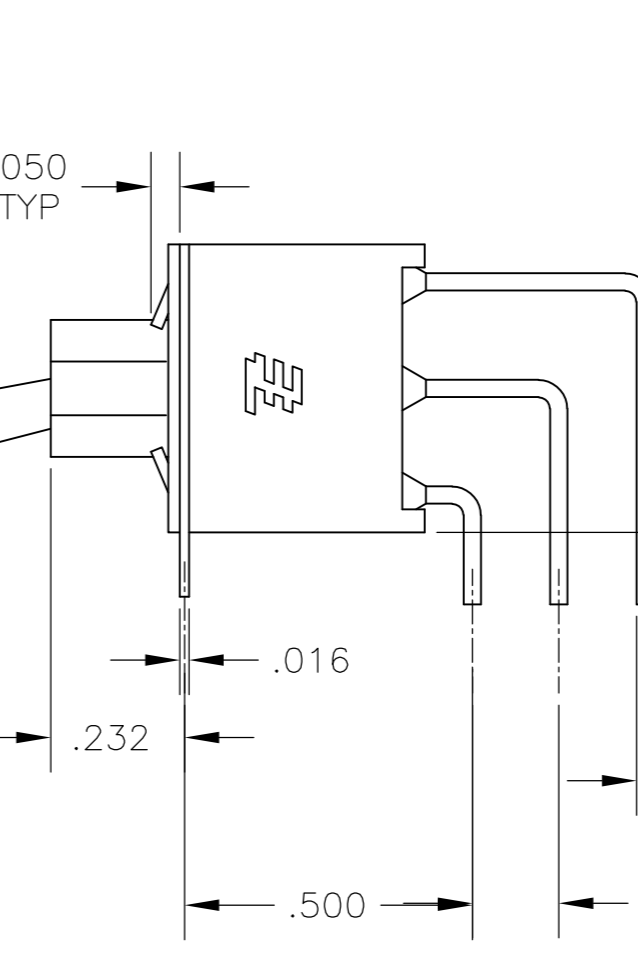


RECOMMENDED PCB LAYOUT

OPTION	DIM A
V30	.460
V40	.630



AV2 VERTICAL RIGHT ANGLE



RECOMMENDED PCB LAYOUT

THIS DRAWING IS A CONTROLLED DOCUMENT.

DWN	M. ZITTO	18MAY05
CHK	M. ZITTO	-
APVD	M. ZITTO	-
PRODUCT SPEC	-	-
APPLICATION SPEC	-	-
WEIGHT	-	-
CUSTOMER DRAWING	-	-

SIZE	A2	CAGE CODE	00779	DRAWING NO	C=1825143	RESTRICTED TO	-
SCALE	3:1	SHEET	2 of 3	REV	A5		


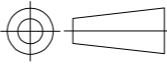
TE TE Connectivity
 GEMINI AE SERIES TOGGLE SWITCH, DOUBLE POLE

THIS DRAWING IS UNPUBLISHED. RELEASED FOR PUBLICATION
 © COPYRIGHT - By - ALL RIGHTS RESERVED.

LOC	DIST	REVISIONS			
P	LTR	DESCRIPTION	DATE	DWN	APVD
AD	00	SEE SHEET 1	-	-	-

Alco P/N	P/N
AE201MD1AB04	1825143-1
AE201MD1AQ04	1825143-2
AE201MD1AV2B04	1825143-3
AE201MD1CB04	1825143-4
AE201MD1CQ04	1825143-5
AE201MD1W4B04	1825143-6
AE201SD1AB04	1825143-7
AE201SD1AG04	1825143-8
AE201SD1AV2B04	1825143-9
AE201SD1CB04	1-1825143-0
AE201SD1CQ04	1-1825143-1
AE201SD1W4B04	1-1825143-2
AE203MD1AB04	1-1825143-3
AE203MD1AQ04	1-1825143-4
AE203MD1AV2B04	1-1825143-5
AE203SD1AB04	1-1825143-6
AE203SD1AV2B04	1-1825143-7
AE203SD1AV2Q04	1-1825143-8
AE203SD1CB04	1-1825143-9
AE203SD1W4B04	2-1825143-0
AE205MD1AV2B04	2-1825143-1
AE205SD1CQ04	2-1825143-2
not assigned	2-1825143-3
AE207MD1AB04	2-1825143-4
AE208SD1W4B04	2-1825143-5
AE211MD1CB04	2-1825143-6
AE211MD1V30B04	2-1825143-7

MATERIALS CHART		
COMPONENT NAME	BASE MATERIAL	FINISH
CASE & BUSHING	NYLON, RED, UL94 V-0	
O-RING	PVC, BLACK	
B TERMINALS & CONTACTS	COPPER	GOLD OVER NICKEL
G TERMINALS & CONTACTS	COPPER	GOLD OVER SILVER
Q TERMINALS & CONTACTS	COPPER	GOLD FLASH OVER SILVER
ACTUATOR	PHENOLIC, BLACK, UL94 V-1	
LEVER	BRASS	CHROME
SPRING	MUSIC WIRE	
PIVOT PIN	STEEL	NICKEL
LOCK WASHER	STAINLESS STEEL	
LOCKING RING	STAINLESS STEEL	
NUTS	BRASS	NICKEL
TERMINAL SEAL	EPOXY, UL94V-0	
MARKING	INK, BLACK	
SUPPORT BRACKET	BRASS OR STEEL	TIN
SUPPORT BRACKET RETAINER	STAINLESS STEEL	

THIS DRAWING IS A CONTROLLED DOCUMENT.		DWN M. ZITTO	18MAY05	 TE Connectivity	
DIMENSIONS: INCHES		CHK M. ZITTO	-		
TOLERANCES UNLESS OTHERWISE SPECIFIED:		APVD M. ZITTO	-	NAME GEMINI AE SERIES TOGGLE SWITCH, DOUBLE POLE	
 0 PLC ± - 1 PLC ± - 2 PLC ± - 3 PLC ± .010 4 PLC ± - ANGLES ± 2°		PRODUCT SPEC	-		
MATERIAL	FINISH	WEIGHT	-	SIZE	A2
-	-	CUSTOMER DRAWING	-	CAGE CODE	00779
SCALE			3:1	DRAWING NO	1825143
SHEET			3 of 3	RESTRICTED TO	-
REV			A5		

1825143

Mouser Electronics

Authorized Distributor

Click to View Pricing, Inventory, Delivery & Lifecycle Information:

[TE Connectivity:](#)

[1825143-5](#)