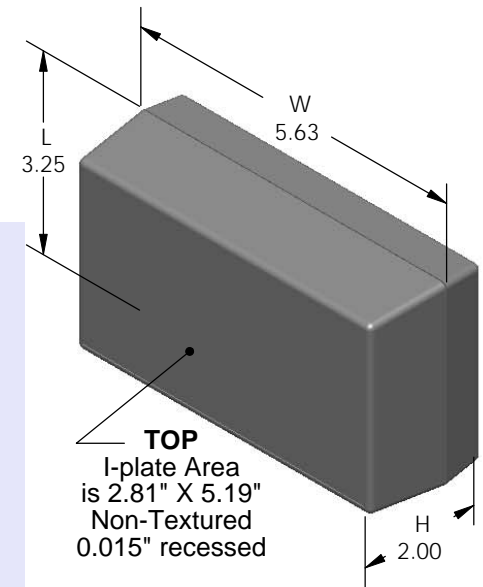
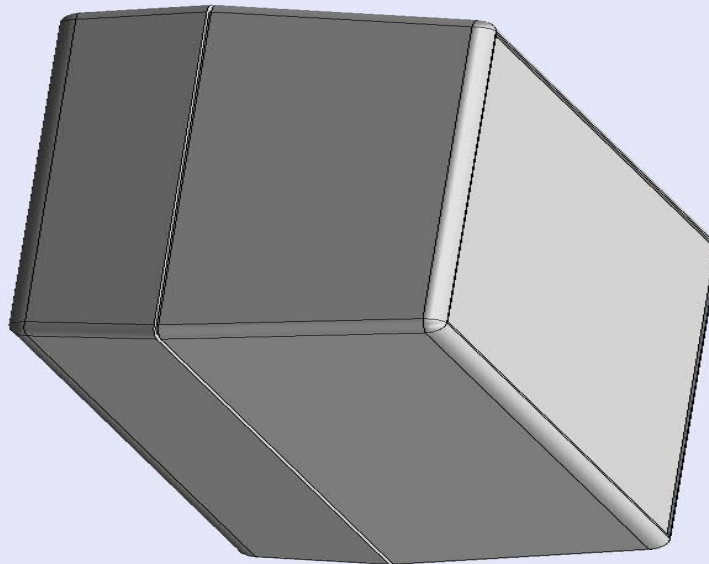


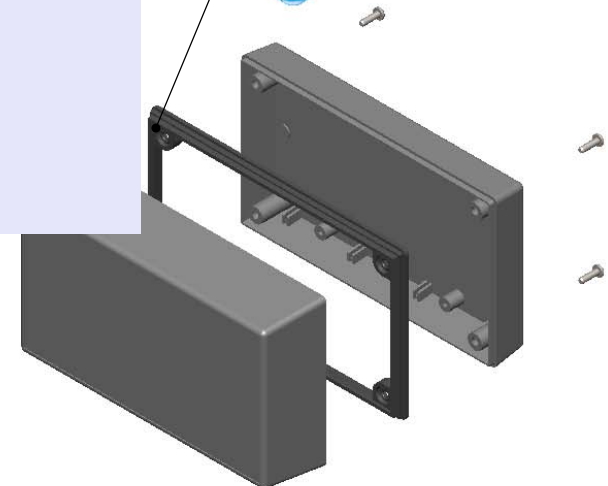
SERPAC 152i (exploded isometric)

Electronic Enclosures

-Click on image to show toolbar. Use  to Play/Pause Animation.
 -Left click and drag on image to move 3D model.



Water proofing gasket
 PS15 (optional)
 see note #2



- a) Zoom in & out with center wheel.
- b) Pause at any moment to view and or print views.
- c) Change the views to ortho and section views if needed from the Views pull down menu.
- d) Explore options included in the tool bar like: Views, Transparency of model, Lighting type, etc.

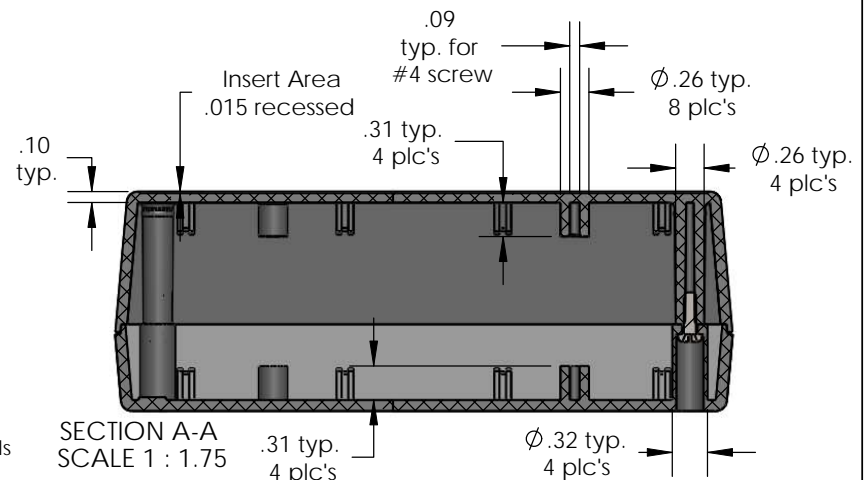
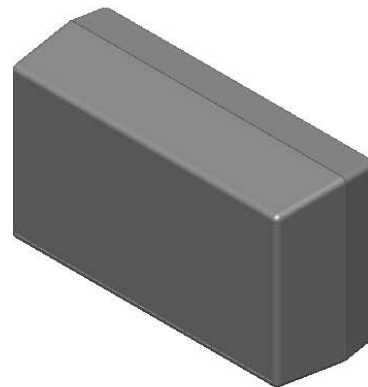
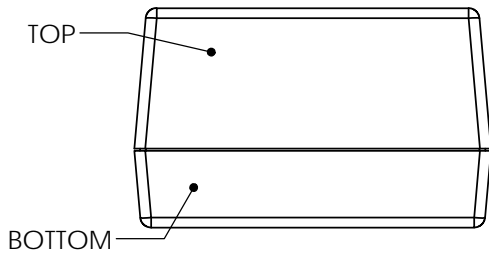
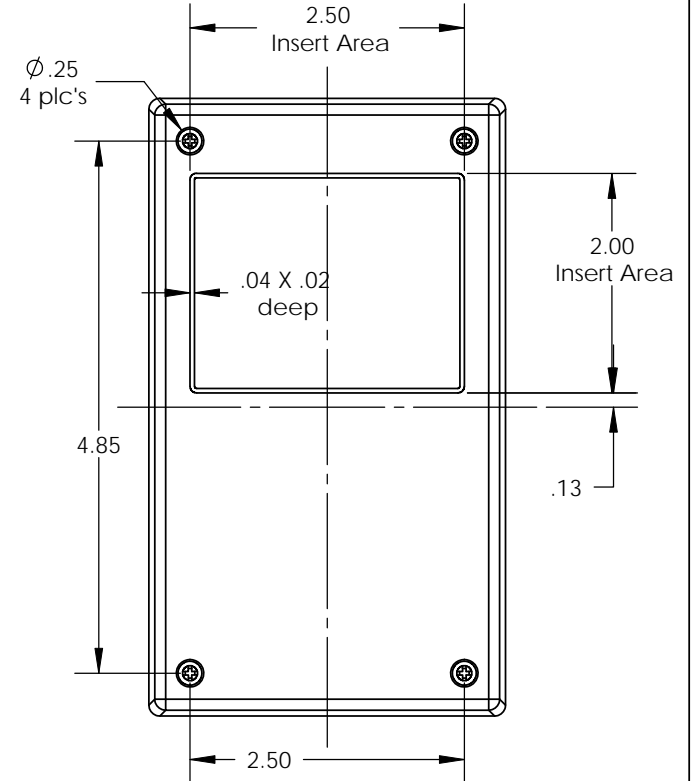
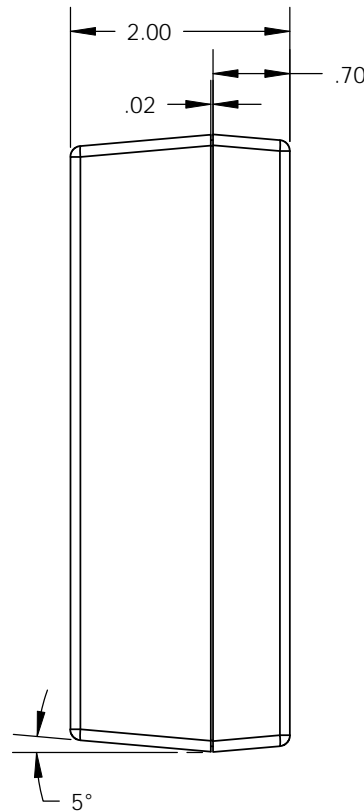
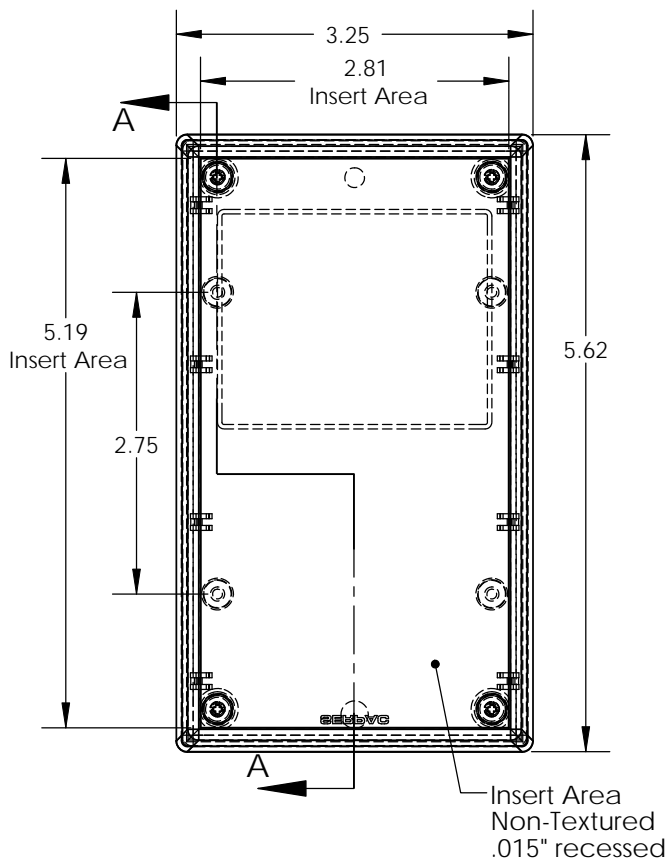
PART NO.	DESCRIPTION (Included)	ACCESSORIES (Optional)	
5-2-i	TOP	PART NO.	DESCRIPTION
15	BOTTOM	50	Non-skid Feet
6005	#4X3/8" Self tapping (4)	PS15	Perimeter Seal
		350	Prototype grid board
		450	Prototype clad board

Notes: Enclosure weight .26 lbs / 119 gm
 1) Enclosure meets or exceeds IP40 and NEMA 1
 2) When used with PS15 the enclosure meets or exceeds IP 67 and NEMA 4X, 12 and 13 MIL-STD-810G 506.5
 3) Circuit Board drawings can be download at:
<http://www.serpac.com/Accessories/CircuitBoard/drawings/350-450-cbg.pdf>
 4) All components are RoHS Compliant.

ALL DIMENSIONS ARE ±.010" 3/22/10 (1 of 2)
619 Commercial Ave. Covina, CA 91723
 Ph. (626) 331-0517 Fx. (626) 331-8584 serpac.com

SERPAC 152i (user print)

Electronic Enclosures



PART NO.	DESCRIPTION (Included)	ACCESSORIES (Optional)	
5-2-i	TOP	PART NO.	DESCRIPTION
15	BOTTOM	50	Non-skid Feet
6005	#4X3/8" self tapping (4)	PS15	Perimeter Seal
		350	Prototype grid board
		450	Prototype clad board

- Notes:
- Enclosure weight .26 lbs / 119 gm
 - 1) Enclosure meets or exceeds IP40 and NEMA 1
 - 2) When used with PS-15 the enclosure meets or exceeds IP 67 and NEMA 4X, 12 and 13 MIL-STD-810G 506.5
 - 3) Circuit Board drawings can be download at: <http://www.serpac.com/Accessories/CircuitBoard/drawings/350-450-cbg.pdf>
 - 4) All components are RoHS Compliant.

ALL DIMENSIONS ARE ± .010" 3/22/10 (2 of 2)
 619 Commercial Ave. Covina, CA 91723
 Ph. (626) 331-0517 Fx. (626) 331-8584 www.serpac.com

Mouser Electronics

Authorized Distributor

Click to View Pricing, Inventory, Delivery & Lifecycle Information:

[SERPAC:](#)

[152I,AL](#) [152I,GY](#)