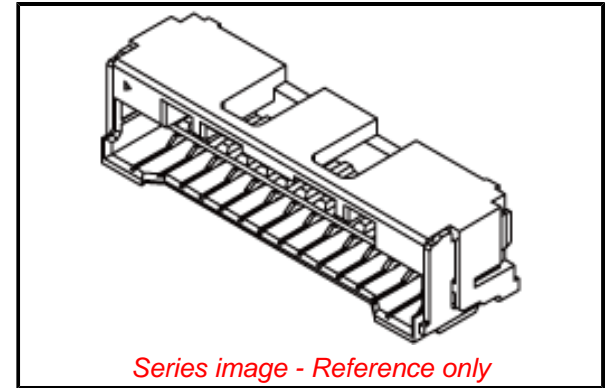


PLEASE CHECK WWW.MOLEX.COM FOR LATEST PART INFORMATION

Part Number: [5025850570](#)
Status: **Active**
Overview: [CLIK-Mate Wire-to-Board Connectors](#)
Description: 1.50mm Pitch CLIK-Mate Wire-to-Board PCB Receptacle, Single Row, Surface Mount, Right-Angle, Tin Plating, 5 Circuits

Documents:

3D Model	Application Specification AS-502578-002-001 (PDF)
Drawing (PDF)	Packaging Specification SPK-502585-001-001 (PDF)
Product Specification PS-502584-001-001 (PDF)	RoHS Certificate of Compliance (PDF)
Application Specification AS-502578-001-001 (PDF)	



Agency Certification

UL E29179

General

Product Family	PCB Receptacles
Series	502585
Application	Signal, Wire-to-Board
Overview	CLIK-Mate Wire-to-Board Connectors
Product Name	CLIK-Mate
UPC	800756644615

Physical

Circuits (Loaded)	5
Circuits (maximum)	5
Color - Resin	Beige
Durability (mating cycles max)	30
Flammability	SC-0
Glow-Wire Capable	No
Guide to Mating Part	Yes
Keying to Mating Part	Yes
Lock to Mating Part	Yes
Mated Height	6.40mm
Material - Metal	Copper Alloy
Material - Plating Mating	Tin
Net Weight	650.101/mg
Number of Rows	1
Orientation	Right Angle
PCB Locator	No
PCB Retention	Yes
Packaging Type	Embossed Tape on Reel
Pitch - Mating Interface	1.50mm
Polarized to Mating Part	Yes
Polarized to PCB	Yes
Stackable	No
Temperature Range - Operating	-40° to +105°C
Termination Interface: Style	Surface Mount

Electrical

Current - Maximum per Contact	2.0A
Voltage - Maximum	100V

Material Info

Reference - Drawing Numbers

Application Specification	AS-502578-001-001, AS-502578-002-001
Packaging Specification	SPK-502585-001-001

EU ELV

Not Relevant

EU RoHS

Compliant

REACH SVHC

Not Contained Per -
ED/61/2018 (27 June
2018)

Halogen-Free

Status

Not Low-Halogen

For more information, please visit [Contact US](#)

China ROHS

ELV

RoHS Phthalates

China RoHS

Green Image

Not Relevant

Not Contained

Search Parts in this Series

[502585](#) Series

Mates With

[502578](#) Crimp Housing

This document was generated on 10/01/2018

PLEASE CHECK WWW.MOLEX.COM FOR LATEST PART INFORMATION

Mouser Electronics

Authorized Distributor

Click to View Pricing, Inventory, Delivery & Lifecycle Information:

[Molex:](#)

[502585-0570](#)