

4

3

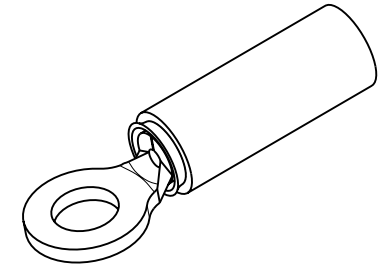
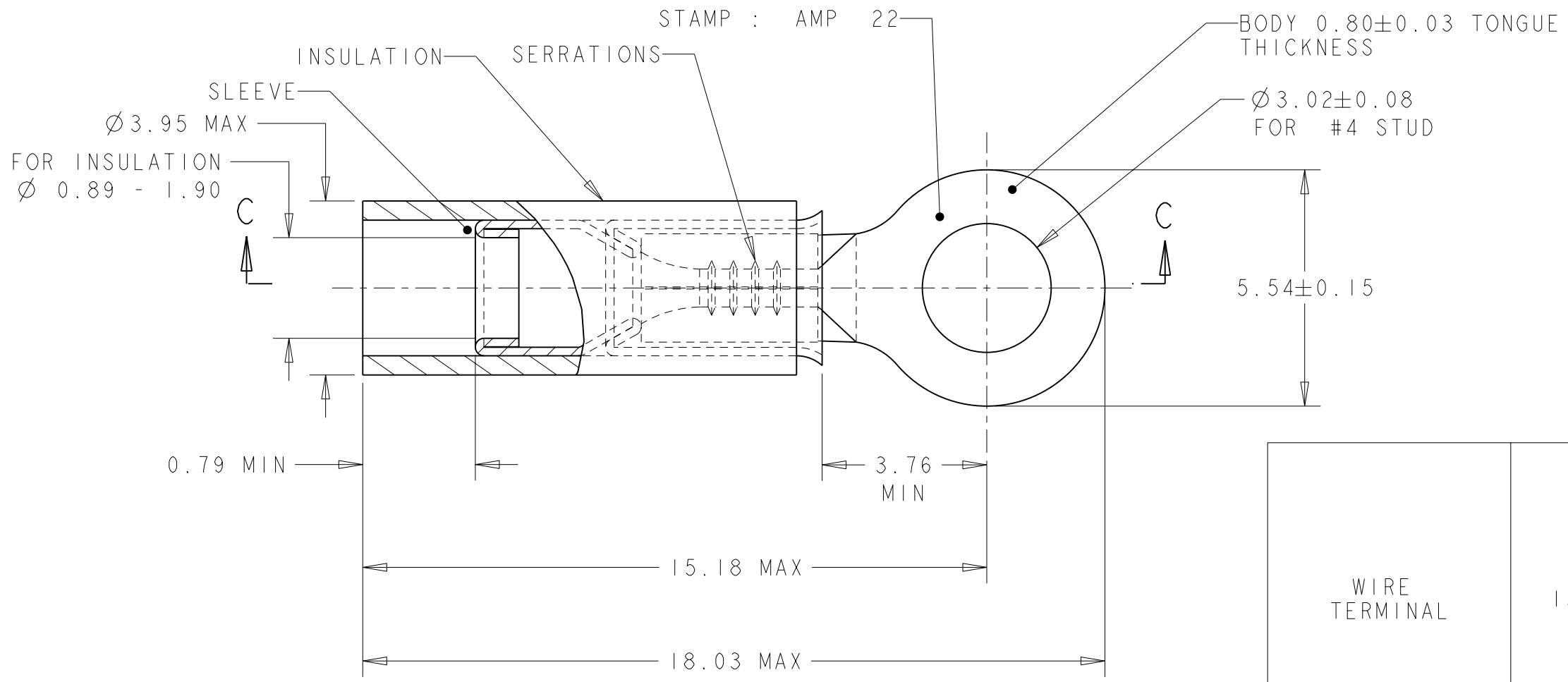
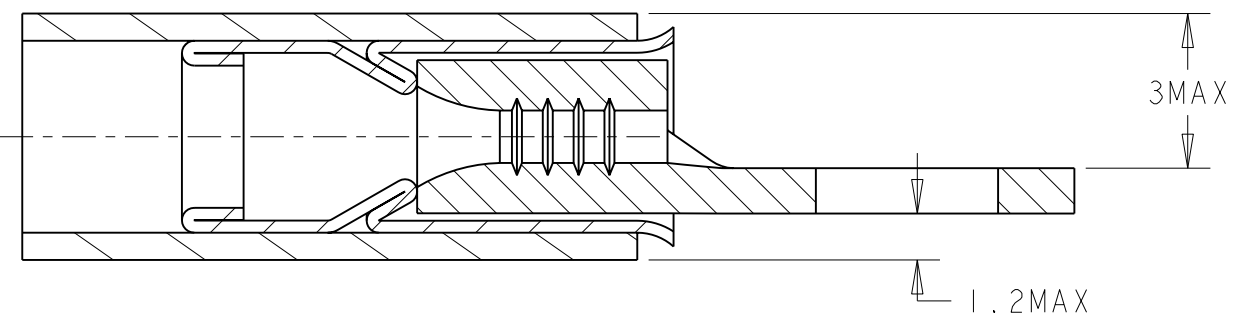
2

1

THIS DRAWING IS UNPUBLISHED. RELEASED FOR PUBLICATION 20  
 © COPYRIGHT 20 BY TYCO ELECTRONICS CORPORATION. ALL RIGHTS RESERVED.

LOC	DIST	REVISIONS			
P	LTR	DESCRIPTION	DATE	DWN	APVD
F	00	B	ECR 07-025006	23OCT2007	JT GR

COUPE C-C



SCALE 3:1

WIRE TERMINAL	1577616-1	BODY : COPPER ANNEALED FINISH : NICKEL PLATED
		SLEEVE : COPPER ANNEALED FINISH : NICKEL PLATED
		INSULATION : PEEK COLOR : BROWN
DESCRIPTION	PART NUMBER	MATERIAL & FINISH

<small>THIS DRAWING IS A CONTROLLED DOCUMENT FOR TYCO ELECTRONICS CORPORATION IT IS SUBJECT TO CHANGE AND THE CONTROLLING ENGINEERING ORGANIZATION SHOULD BE CONTACTED FOR THE LATEST REVISION.</small>		DWN	19OCT2005		TYCO ELECTRONICS France SAS	
DIMENSIONS: mm		CHK	19OCT2005		BP 30039, 95301 CERGY-PONTOISE Cedex	
TOLERANCES UNLESS OTHERWISE SPECIFIED: 0 PLC ±- 1 PLC ±0.3 2 PLC ±- 3 PLC ±- 4 PLC ±- ANGLES ±5 FINISH SEE TABLE		APVD	19OCT2005		NAME	
MATERIAL SEE TABLE		Y. PETRONIN			TERMINAL, PEEK PIDG STRATO, 24-22 AWG	
		PRODUCT SPEC	108-15356	SIZE	CAGE CODE	DRAWING NO
		APPLICATION SPEC	114-15102	A3	-	©=1577616
		WEIGHT	0,55 gr	RESTRICTED TO		-
		CUSTOMER DRAWING		SCALE	8:1	SHEET 1 OF 1 REV B

# Mouser Electronics

Authorized Distributor

Click to View Pricing, Inventory, Delivery & Lifecycle Information:

[TE Connectivity:](#)

[1577616-1](#)