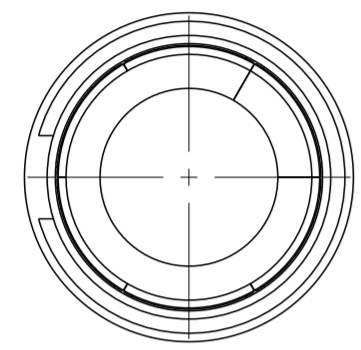


THIS DRAWING IS UNPUBLISHED. RELEASED FOR PUBLICATION 2006  
 © COPYRIGHT 2006 ALL RIGHTS RESERVED.

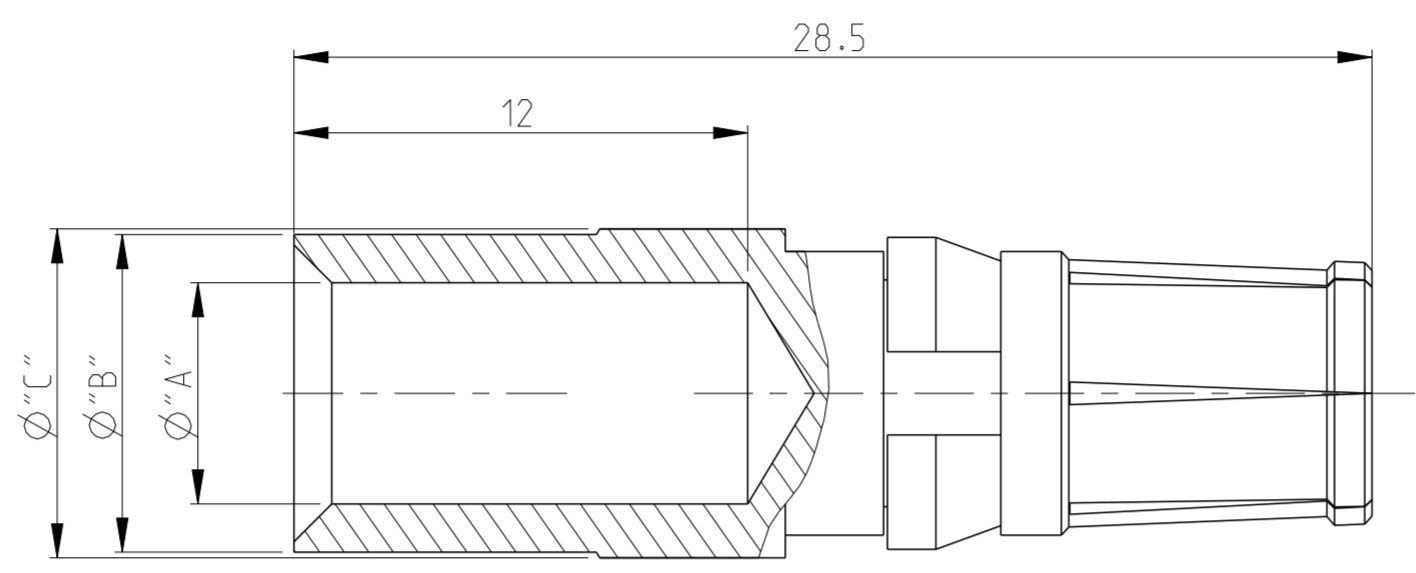
| LOC | DIST | REVISIONS |     |                           |           |     |      |
|-----|------|-----------|-----|---------------------------|-----------|-----|------|
|     |      | P         | LTR | DESCRIPTION               | DATE      | DWN | APVD |
| B1  | -    | C4        |     | ECR-11-021594             | 11NOV2011 | RK  | MKO  |
|     |      | C5        |     | ECR-14-007793             | 25AUG2014 | RK  | MKO  |
|     |      | C6        |     | REVISED PER ECR-16-016780 | 19AUG2017 | NG  | MKO  |
|     |      | C7        |     | REVISED PER ECR-19-008419 | 04JUN2019 | SR  | MKO  |

Notes

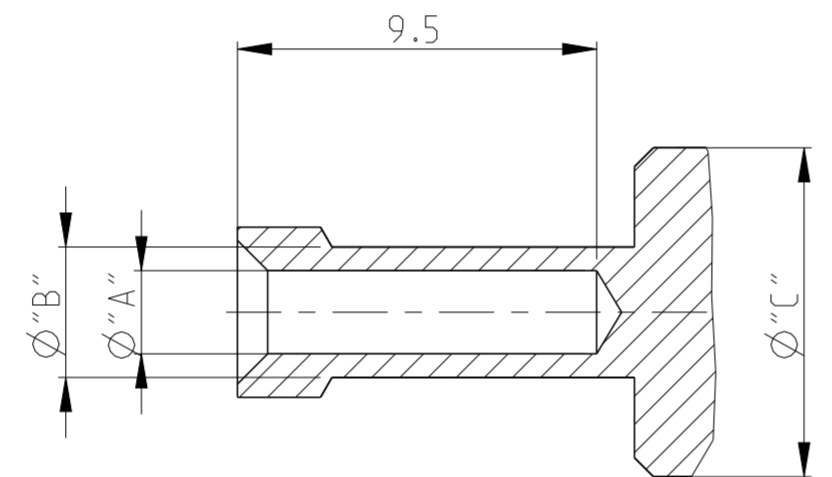
- 1 MATERIAL: BRASS
- 2 FINISH SILVER PLATING: 2µm Ag MIN. OVER Cu
- 3 FINISH GOLD PLATING: 0.75µm Au MIN. OVER Ni
- 4 WEIGHT (MAX.): 7.1 g, VOLUME (MAX.): 795mm<sup>2</sup> (APPROX.)
- 5 SUITABLE PIN CONTACT: CUSTOMER DRAWING 1105150
- 6 SUITABLE INSERTS: SERIES HSS, CUSTOMER DRAWING
- 7 SUITABLE CRIMP TOOL: PN 1-1105850-8
- 8 SUITABLE INSERTION TOOL: -
- 9 SUITABLE EXTRACTION TOOL: PN 0-1102855-5
- 10 FINE WIRE DIA. MAX. Ø4.5
- 11 STANDARDS: DIN EN 61984, DIN EN 60664-1
- 12 PACKAGING: 25 PIECES IN A POLY-BAG
- 13 PACKAGING: 1 PIECE LOOSE



WIRE CROSS-SECTION:  
 Ø6mm<sup>2</sup> - 16mm<sup>2</sup>



WIRE CROSS-SECTION:  
 Ø2.5mm<sup>2</sup> / 4mm<sup>2</sup>



| OB                     | PLATING | CROSS SECTION                          | DIMENSIONS           | STRIPPING-LENGTH   | WITH CLIP         |
|------------------------|---------|--|----------------------|--------------------|-------------------|
| OBSOLETE               | GOLD    | HSS-C-Bu.Au.16.0 mm <sup>2</sup>       | 16.0 5.85 8.4 8.7 12 | <sup>12</sup> 5-2  | <sup>13</sup> 9-3 |
|                        |         | HSS-C-Bu.Au.10.0 mm <sup>2</sup>       | 10.0 4.35 5.9 8.7 12 | 4-2                | 9-2               |
|                        |         | HSS-C-Bu.Au.6.0 mm <sup>2</sup>        | 6.0 3.5 4.9 8.7 12   | 3-2                | 9-1               |
| <sup>10</sup> OBSOLETE | SILVER  | HSS-C-Bu.Ag.25.0 mm <sup>2</sup>       | 25.0 7.0 9.45 9.6 12 | 6-1                | 8-7               |
|                        |         | HSS-C-Bu.Ag.16.0 mm <sup>2</sup>       | 16.0 5.85 8.4 8.7 12 | 5-1                | 8-6               |
|                        |         | HSS-C-Bu.Ag.10.0 mm <sup>2</sup> -fine | 10.0 4.6 5.9 8.7 12  | <del>4-3</del>     | 8-5               |
|                        |         | HSS-C-Bu.Ag.10.0 mm <sup>2</sup>       | 10.0 4.35 5.9 8.7 12 | 4-1                | 8-4               |
|                        |         | HSS-C-Bu.Ag.6.0 mm <sup>2</sup>        | 6.0 3.5 4.9 8.7 12   | 3-1                | 8-3               |
|                        |         | HSS-C-Bu.Ag.4.0 mm <sup>2</sup>        | 4.0 2.8 3.9 8.7 12   | 2-1                | 8-2               |
|                        |         | HSS-C-Bu.Ag.2.5 mm <sup>2</sup>        | 2.5 2.2 3.45 8.7 12  | 1-1                | 8-1               |
|                        |         |  |                      | [MM <sup>2</sup> ] | "A" "B" "C"       |

THIS DRAWING IS A CONTROLLED DOCUMENT.

DWN: K. SCHROEDER 10APR2008  
 CHK: H. BRAUN 10APR2008  
 APVD: T. SCHNURPFEL 10APR2008

**STE** TE Connectivity

NAME: SOCKET CONTACT SERIES HSS

PRODUCT SPEC: 108-74016  
 APPLICATION SPEC: 114-74028

SIZE: A2 CAGE CODE: 00779 DRAWING NO: 1105151 RESTRICTED TO: -

WEIGHT: - SCALE: 5:1 SHEET 1 OF 1 REV: C7

Customer Drawing

