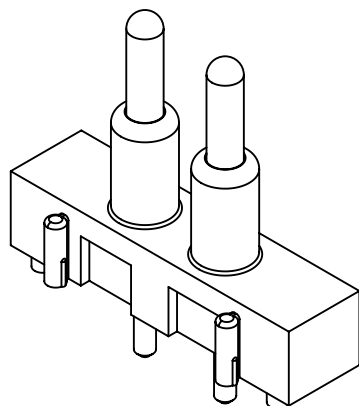
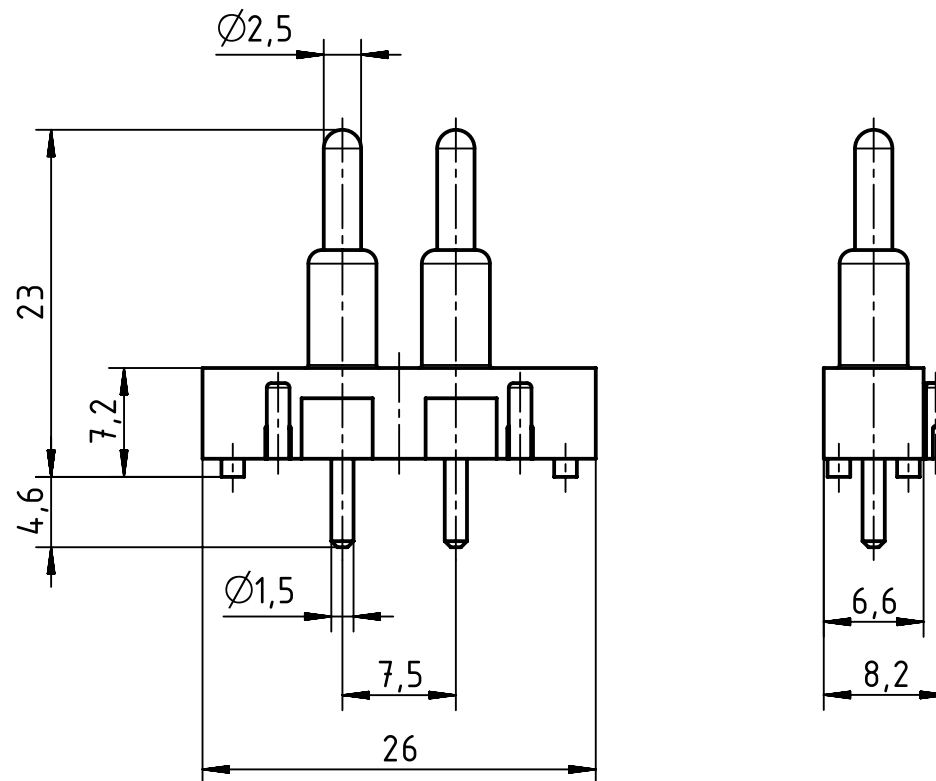
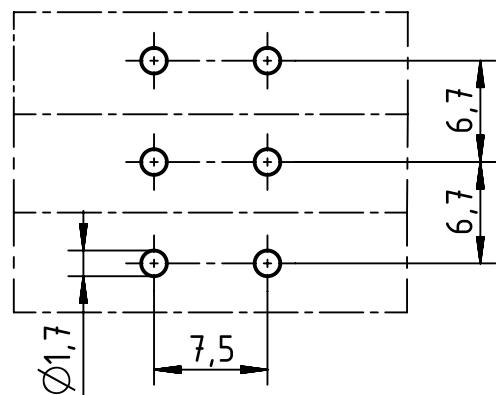


1 2 3 4 5 6


A

Layout of printed circuit boards



C

D

| | | | | | | | | | | |
|---|--|---------------------------|-------------------------|--|---------------------------|--|-----------------------------|--|--|--|
|  | All Dimensions in mm Original Size DIN A4 | | Scale 2:1 | | Free size tol. | | Ref. | | | |
| | All rights reserved Department EL PD - DE | | Created by KLASSEN P | | Inspected by SCHNIEDER | | Standardisation TIEMANNA | | | |
| HARTING Electric GmbH & Co. KG D-32339 Espelkamp | | Title Han E LP-Adapter | | | | | Date 2017-02-22 | | State Final Release | |
| | | Type TB | | | | | Number 09 33 000 9996 | | Doc-Key / ECM-Nr. 100088814/UGD/005/A 500000115896 | |
| | | | | | | | Rev. A | | Page 1/1 | |

Mouser Electronics

Authorized Distributor

Click to View Pricing, Inventory, Delivery & Lifecycle Information:

[HARTING:](#)

[09330009996](#)