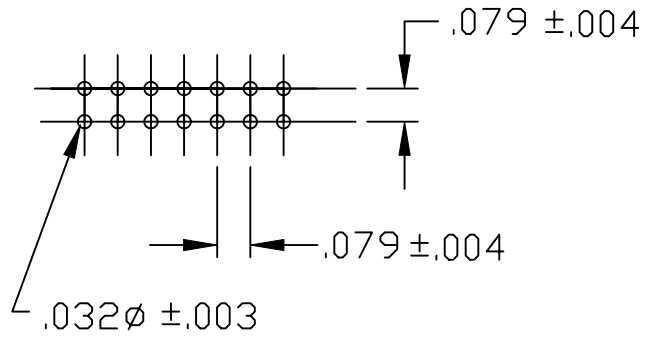
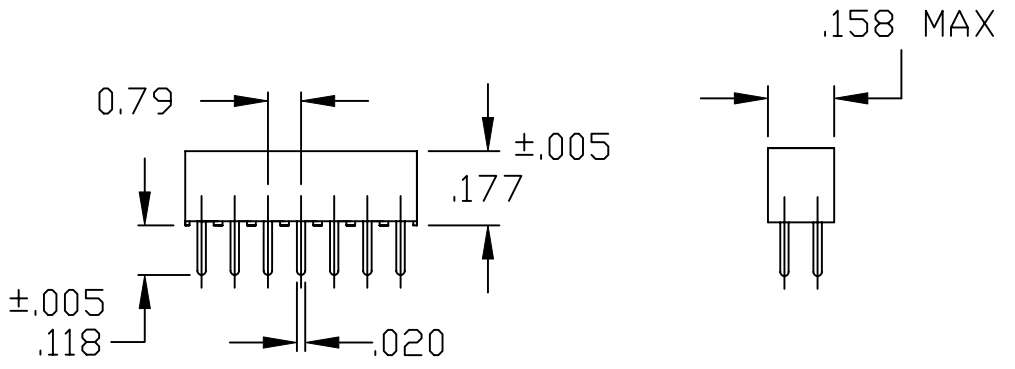


DESCRIPTION: 2MM DUAL ROW RECEPTACLE

"L" = NO. OF CONTACTS PER ROW X .079

MATERIAL:
 HOUSING: NYLON 6T (UL 94V-0) BLACK
 CONTACT: PHOSPHOR BRONZE
 PLATING: GOLD FLASH MATING SIDE
 100µ" TIN ON BOARD SIDE
 RoHS COMPLIANT

ELECTRICAL:
 CURRENT RATING: 1 AMP
 CONTACT RESISTANCE: 20 mΩ MAX.
 INSULATOR RESISTANCE: 5000 MEGΩ MIN.
 DWV: 500V AC
 OPERATING TEMP:
 -40°C TO +105°C
 PROCESS TEMP: 260°C FOR 10 SECONDS



SERIES _____ **2564 YY 01RP2**
 2564 = DUAL ROW

POSITIONS _____
 DUAL = INCREMENTS OF 2
 (06 TO 80)

TYPE: _____
 01 = STRAIGHT

PLATING: _____
 P2 = GOLD FLASH

	THESE DRAWINGS AND SPECIFICATIONS ARE THE PROPERTY OF NorComp AND SHALL NOT BE REPRODUCED, COPIED OR USED AS THE BASIS FOR THE MANUFACTURE OF SALE OF APPARATUS WITHOUT WRITTEN PERMISSION.		DRAWN: PAM JENKINS	DATE: 1-30-06
			CHECKED:	DATE:
NorComp		SCALE: NTS	SHEET 1 OF 1	REV 2
		DWG NO. 2564YY01RP2		

Mouser Electronics

Authorized Distributor

Click to View Pricing, Inventory, Delivery & Lifecycle Information:

[NorComp:](#)

[25640801RP2](#) [25640401RP2](#) [25640601RP2](#) [25641001RP2](#) [25641201RP2](#) [25641401RP2](#) [25641601RP2](#)
[25641801RP2](#) [25642001RP2](#) [25642201RP2](#) [25642401RP2](#) [25643001RP2](#) [25645001RP2](#) [25647201RP2](#)