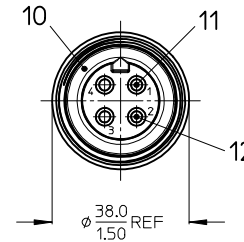
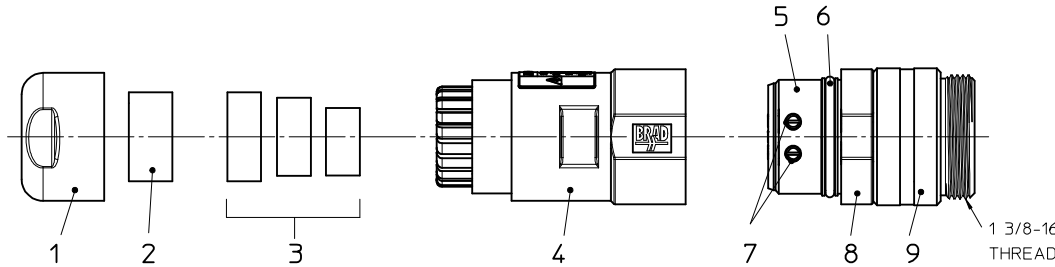
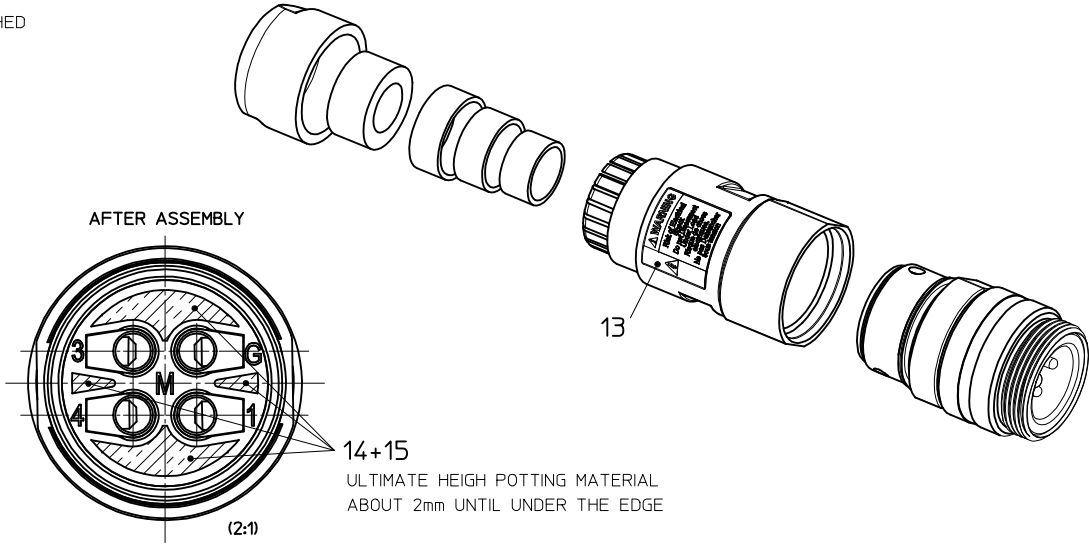
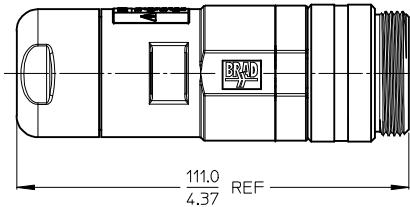


NOTES:

1. MATERIAL: SEE TABLE
2. FINISHES: SEE TABLE
3. PACKAGING: PART IS PACKED IN CLEAR POLY BAG WITH BARCODE LABEL ATTACHED
4. MATES WITH: BRAD FEMALE RECEPTACLE
5. WIRE RANGE: 8 AWG - 14 AWG (10mm² - 2.5mm²)
6. CABLE OD RANGE: .48 - .81 (12.2mm - 20.6mm)
7. ELECTRICAL SPECIFICATIONS:
 VOLTAGE RATING: 600V AC
 CURRENT RATING:
 8 AWG - 32 AMPS
 10 AWG - 32 AMPS **(B)**
 12 AWG - 20 AMPS
 14 AWG - 15 AMPS
8. ENVIRONMENTAL PROTECTION: IP67, IP69K



ITEM	COMPONENT	MATERIAL	FINISH
1	NUT M32	PA66	BK
2	GASKET MO 14,8x12,25	CR	GY
3	GASKETS MO (SMALL,MEDIUM,LARGE)	CR	BK
4	HOUSING FA M32	PA66	BK
5	INSERT ADAPTER	PA66	BK
6	GASKET OR 29x2,5	NBR	BK
7	SCREW M4x10	V2A	-
8	COUPLING RING	PA66	BK
9	NUT, INTERNAL THREAD	AL	AN (NATUR)
10	INSERT AC	PVC	-
11	CONTACT MA	CU ALLOY	AU PLATED
12	CONTACT MA LEAD, PIN	CU ALLOY	AU PLATED
13	WARNING LABEL	PLASTIC FILM	-
14	POTTING MATERIAL	WEVO RESIN PU 552 FL NATUR 50	-
15	MPIS RESIN HARDNER	-	-

MATERIAL NO.	ENGINEERING NO.
1300700024 (FINISHED PART)	CA4006-39
1203360005 (PRE-ASSEMBLED)	1930 00090 08004

CURRENT WAS 25 AMPS EC NO: IFC2017-0717 DRAWN BY: DRWINRSTONE 2017/01/26 CHKD BY: CHIKDK LOX 2017/01/30 APPR: BWOODMAN 2017/02/04 REV: B	QUALITY SYMBOLS ▽=0 ▽=0	GENERAL TOLERANCES (UNLESS SPECIFIED) <table border="1"> <tr> <th></th> <th>mm</th> <th>INCH</th> </tr> <tr> <td>4 PLACES</td> <td>± .005</td> <td>± .0004</td> </tr> <tr> <td>3 PLACES</td> <td>± .008</td> <td>± .0006</td> </tr> <tr> <td>2 PLACES</td> <td>± .012</td> <td>± .0009</td> </tr> <tr> <td>1 PLACE</td> <td>± 0.3</td> <td>± .0118</td> </tr> <tr> <td>0 PLACE</td> <td>± .025</td> <td>± .0010</td> </tr> </table>		mm	INCH	4 PLACES	± .005	± .0004	3 PLACES	± .008	± .0006	2 PLACES	± .012	± .0009	1 PLACE	± 0.3	± .0118	0 PLACE	± .025	± .0010	DIMENSION STYLE MM/IN	SCALE 1:1	DESIGN UNITS METRIC	THIRD ANGLE PROJECTION
		mm	INCH																					
	4 PLACES	± .005	± .0004																					
	3 PLACES	± .008	± .0006																					
2 PLACES	± .012	± .0009																						
1 PLACE	± 0.3	± .0118																						
0 PLACE	± .025	± .0010																						
DRAWN BY: RSCHIEBER 2012/10/15 CHECKED BY: APOHL 2012/10/24 APPROVED BY: CBURGER 2013/06/03	TITLE FA 4P AC MA STR UNSH			MATERIAL NO. SD-120336-002																				
DRAFT WHERE APPLICABLE MUST REMAIN WITHIN DIMENSIONS			SEE CHART																					
THIS DRAWING CONTAINS INFORMATION THAT IS PROPRIETARY TO MOLEX INCORPORATED AND SHOULD NOT BE USED WITHOUT WRITTEN PERMISSION																								

Mouser Electronics

Authorized Distributor

Click to View Pricing, Inventory, Delivery & Lifecycle Information:

Molex:

[1300700024](#) [CA4006-39](#)