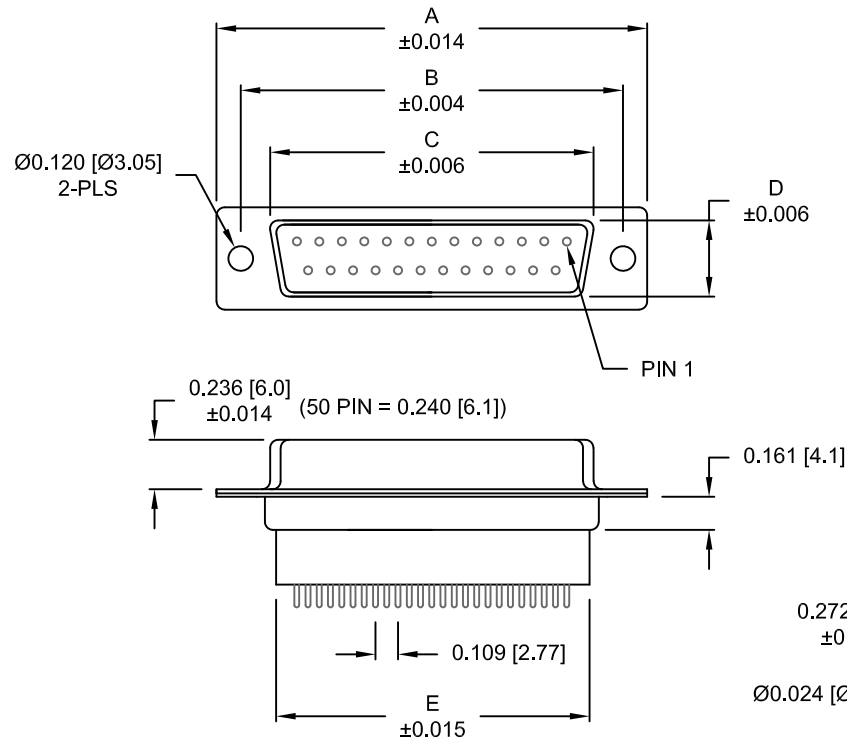


DESCRIPTION: FEMALE - DIP SOLDER - HIGH PROFILE



No. OF PINS	DIMENSIONS						
	A	B	C	D	E	F	G
9	1.213	0.984	0.642	0.311	0.618	0.496	0.429
	30.80	24.99	16.30	7.90	15.70	12.60	10.90
15	1.541	1.312	0.970	0.311	0.933	0.496	0.429
	39.15	33.32	24.65	7.90	23.70	12.60	10.90
25	2.087	1.852	1.512	0.311	1.496	0.496	0.429
	53.00	47.04	38.40	7.90	38.00	12.60	10.90
37	2.728	2.500	2.157	0.311	2.142	0.496	0.429
	69.30	63.50	54.80	7.90	54.40	12.60	10.90
50	2.638	2.402	2.055	0.429	2.039	0.602	0.535
	67.00	61.00	52.20	10.90	51.80	15.30	13.60

172-YYY-28YLYY1

SERIES _____
 POSITIONS _____
 009
 015
 025
 037
 050
 GENDER _____
 2 = FEMALE
 TERMINATION _____
 8 = HIGH PROFILE VERTICAL
 SHELL PLATING _____
 3 = NICKEL
 RoHS COMPLIANT _____
 HARDWARE OPTIONS _____
 00 = NO HARDWARE
 01 = .098" CLINCH NUT (BOARD SIDE)
 02 = .236" CLINCH NUT (BOARD SIDE)
 03 = .236" CLINCH NUT (MATING SIDE)
 PLATING OPTIONS _____
 1 = GOLD FLASH
 2 = 30u" GOLD

MATERIAL:

SHELL: STEEL, NICKEL PLATED
 INSULATOR: UL 94V-O RATED, PBT-BLACK
 PROCESS TEMP.: 230°C
 CONTACTS: BRASS - GOLD PLATED

ELECTRICAL:

CURRENT RATING: 5 AMPS
 CONTACT RESISTANCE: 15 mOhms Max.
 INSULATION RESISTANCE: 1,000 MOhms min.
 VOLTAGE: 500VAC FOR 1 MINUTE
 TEMPERATURE: -50° C TO 100° C

DO NOT SCALE FROM DRAWING



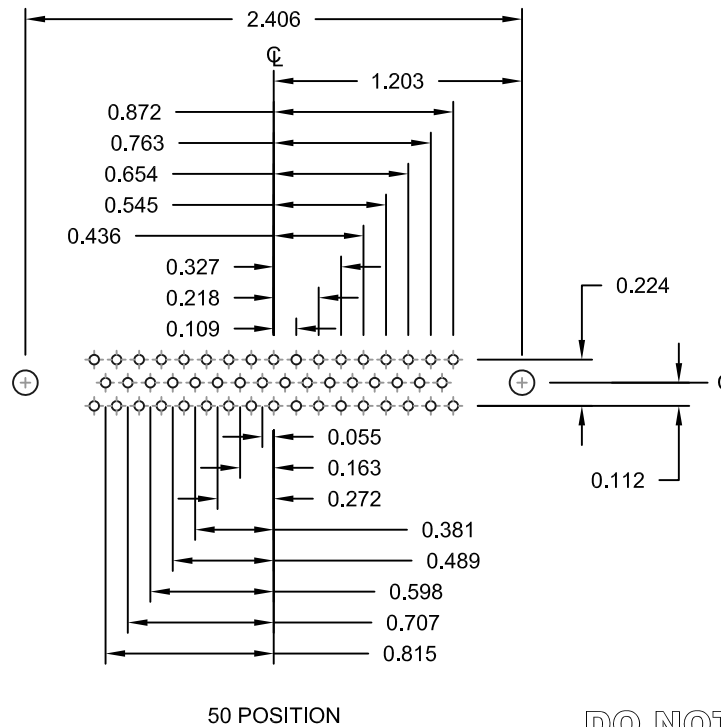
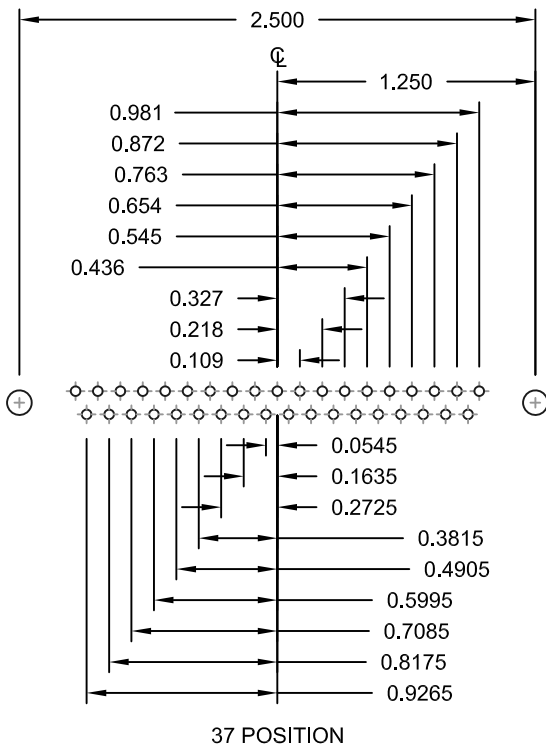
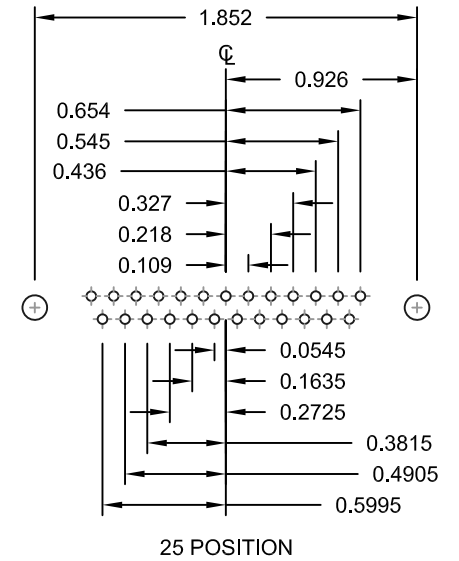
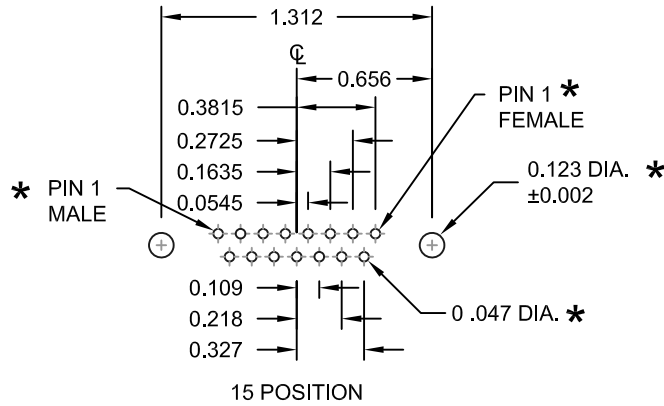
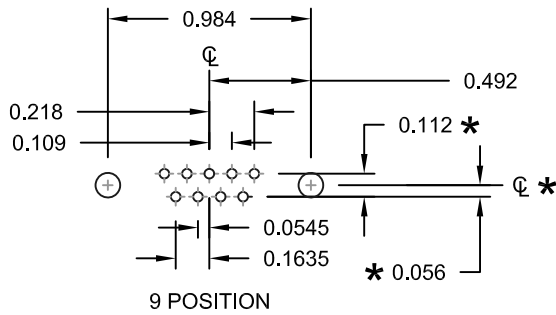
THESE DRAWINGS AND SPECIFICATIONS ARE THE PROPERTY OF NorComp AND SHALL NOT BE REPRODUCED, COPIED OR USED AS THE BASIS FOR THE MANUFACTURE OF SALE OF APPARATUS WITHOUT WRITTEN PERMISSION.

DRAWN: WAYNE ROBBINS		DATE: 08-23-98	
SCALE: NTS	SHEET 1 OF 3	REV 17	
DWG NO. 172-YYY-28YLYY1			

RoHS COMPLIANT

NorComp

DESCRIPTION: PCB LAYOUT - STANDARD "D" - MALE & FEMALE



* TYP. ON ALL SIZES

DO NOT SCALE FROM DRAWING



THESE DRAWINGS AND SPECIFICATIONS ARE THE PROPERTY OF NorComp AND SHALL NOT BE REPRODUCED, COPIED OR USED AS THE BASIS FOR THE MANUFACTURE OF SALE OF APPARATUS WITHOUT WRITTEN PERMISSION.

DRAWN: WAYNE ROBBINS

DATE: 08-23-98

NorComp

SCALE: NTS SHEET 2 OF 3 REV 17

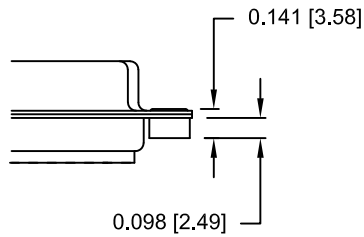
DWG NO. 172-YYY-28YLYY1

DESCRIPTION: CLINCH NUT HARDWARE

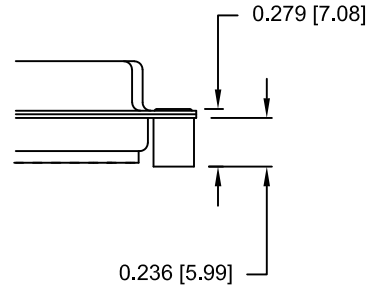
TOLERANCE:
ALL DIMENSIONS ARE ± 0.010

ALL CLINCH-NUTS ARE 4-40 INTERNAL THREADS

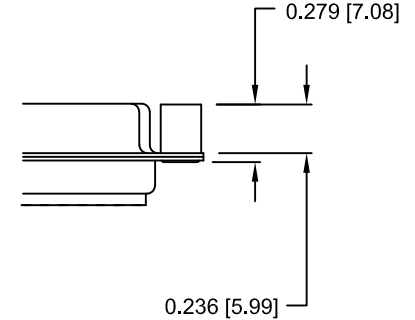
01X 0.065" (BOARD SIDE)



02X 0.236" (BOARD SIDE)



03X..... 0.236" (MATING SIDE)



DO NOT SCALE FROM DRAWING



THESE DRAWINGS AND SPECIFICATIONS ARE THE PROPERTY OF NorComp AND SHALL NOT BE REPRODUCED, COPIED OR USED AS THE BASIS FOR THE MANUFACTURE OF SALE OF APPARATUS WITHOUT WRITTEN PERMISSION.

DRAWN:
WAYNE ROBBINS

DATE:
08-23-98

NorComp

SCALE: NTS SHEET 3 OF 3 REV 17

DWG NO. 172-YYY-28YLYY1

RoHS COMPLIANT

Mouser Electronics

Authorized Distributor

Click to View Pricing, Inventory, Delivery & Lifecycle Information:

NorComp:

[172-009-283L001](#) [172-009-283L011](#) [172-009-283L021](#) [172-015-283L011](#) [172-015-283L021](#) [172-015-283L031](#)
[172-025-283L011](#) [172-025-283L021](#) [172-025-283L031](#) [172-037-283L011](#) [172-037-283L021](#) [172-037-283L031](#) [172-050-283L011](#) [172-050-283L021](#) [172-050-283L031](#) [172-009-283L031](#)