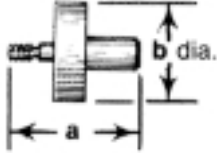

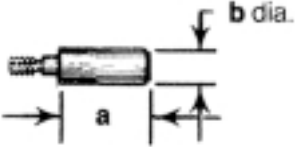
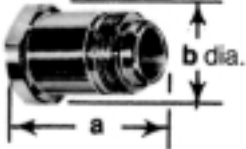
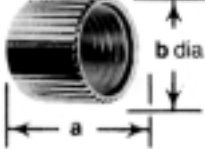
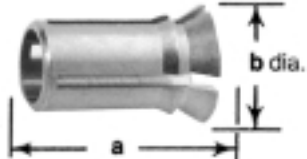
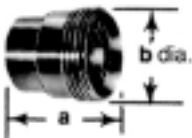
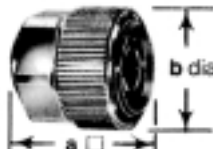
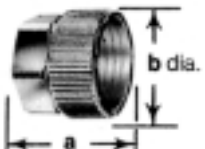


<p>Fig. 1</p>  <p>Bead Contact Sub-Assembly 131-1052</p>	<p>Fig. 2</p>  <p>Bead 131-1053</p>	<p>Fig. 3</p>  <p>Contact Sub-Assembly 131-1054</p>
<p>Fig. 4</p>  <p>Body 131-122</p>	<p>Fig. 5</p>  <p>Optional Fluted Nut 131-126</p>	<p>Fig. 6</p>  <p>Collet 131-129</p>
<p>Fig. 7</p>  <p>Retainer Sub-Assembly 131-131</p>	<p>Fig. 8</p>  <p>Nut, Body & Assembly Sub-Assembly 131-91057</p>	<p>Fig. 9</p>  <p>Coupling Nut Standard Hex. 131-926</p>

COMPONENTS AND SUB-ASSEMBLIES

Description	Dimensions, Inches (mm)		Amphenol Number	Fig.
	a	b		
Bead-contact sub-assembly	.461 (11.7)	.370 (9.4)	131-1052	1
Bead	.116 (3.0)	.370 (9.4)	131-1053	2
Contact (Collet & Collet holder) sub-assembly	.183 (4.6)	.120 (3.0)	131-1054	3
Body for 7mm Airline	.800 (20.3)	.576 (14.6)	131-122	4
Optional Fluted Coupling Nut	.702 (17.8)	.812 (20.6)	131-126	5
Collet	.149 (3.8)	.103 (2.6)	131-129	6
Retainer sub-assembly	.676 (17.2)	.687 (17.5)	131-131	7
Coupling Nut — Retainer body sub-assembly for 7mm Airline (131-91051 less bead-contact S/A)	.921 (23.4)	.865 (22.0)	131-91057	8
Standard Hex coupling nut	.702 (17.8)	.865 (22.0)	131-926	9

Mouser Electronics

Authorized Distributor

Click to View Pricing, Inventory, Delivery & Lifecycle Information:

[Amphenol:](#)

[131-1053](#)