

**PLEASE CHECK WWW.MOLEX.COM FOR LATEST PART INFORMATION**

**Part Number:** [0945060201](#)  
**Status:** **Active**  
**Overview:** Standard Quick-Disconnect Terminals  
**Description:** Quick Disconnect, Safelock Female for (1.00-2.50mm<sup>2</sup>) 10-18 AWG Wire, Accepts 6.35 x 0.81mm Tab, Tin

**Documents:**

[Drawing \(PDF\)](#) [RoHS Certificate of Compliance \(PDF\)](#)  
[Product Specification PS-94506-001-001 \(PDF\)](#)

**Agency Certification**

CSA LR19980  
 UL E29179

**General**

Product Family Quick Disconnects  
 Series [94506](#)  
 Crimp Quality Equipment Yes  
 Insulated No  
 Overview [Standard Quick-Disconnect Terminals](#)  
 Product Name Safelock  
 Type Quick Disconnect  
 UPC 800754331425

**Physical**

Barrel Type Open  
 Gender Female  
 Glow-Wire Compliant No  
 Insulation None  
 Lock to Mating Part None  
 Material - Metal Brass  
 Material - Plating Mating Unplated  
 Material - Plating Termination Tin  
 Net Weight 0.764/g  
 Orientation Straight  
 Packaging Type Reel  
 Polarized to Mating Part Yes  
 Tab Thickness 0.81mm  
 Tab Width 6.35mm  
 Temperature Range - Operating -40°C to +80°C  
 Termination Interface: Style Crimp or Compression  
 Wire Size AWG 10, 14, 16, 18, 24  
 Wire Size mm<sup>2</sup> 1.00-2.50

**Electrical**

Voltage - Maximum 250V

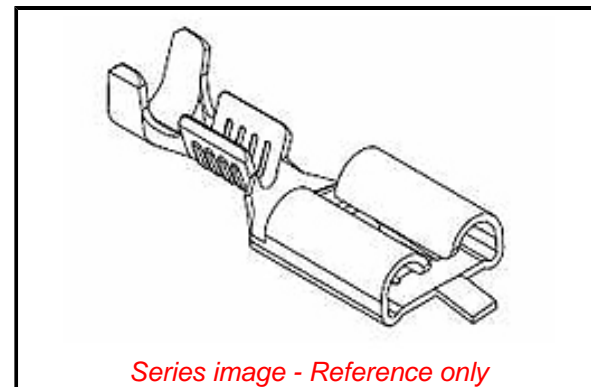
**Solder Process Data**

Lead-free Process Capability N/A

**Material Info**

**Reference - Drawing Numbers**

Product Specification PS-94506-001-001  
 Sales Drawing SD-94506-0XXX



Series image - Reference only

**EU ELV**

**Compliant**

**EU RoHS**

**Compliant**

**REACH SVHC**

Not Contained Per  
 -ED/01/2017 (12  
 January 2017)

**Halogen-Free**

**Status**

**Not Relevant**

**Need more information on product environmental compliance?**

Email [productcompliance@molex.com](mailto:productcompliance@molex.com)  
 Please visit the [Contact Us](#) section for any non-product compliance questions.

China ROHS	Not Relevant
ELV	Compliant
RoHS Phthalates	Not Contained

**Search Parts in this Series**

[94506 Series](#)

**Use With**

[94506 Quick Disconnect Housing](#)

**Application Tooling | FAQ**

*Tooling specifications and manuals are found by selecting the products below. Crimp Height Specifications are then contained in the Application Tooling Specification document.*

**Global**

Description	Product #
Mini-Mac™	<a href="#">0638060900</a>
Applicator Rear Feed	

**PLEASE CHECK [WWW.MOLEX.COM](http://WWW.MOLEX.COM) FOR LATEST PART INFORMATION**

# Mouser Electronics

Authorized Distributor

Click to View Pricing, Inventory, Delivery & Lifecycle Information:

[Molex:](#)

[94506-0101](#) [94506-0201](#)