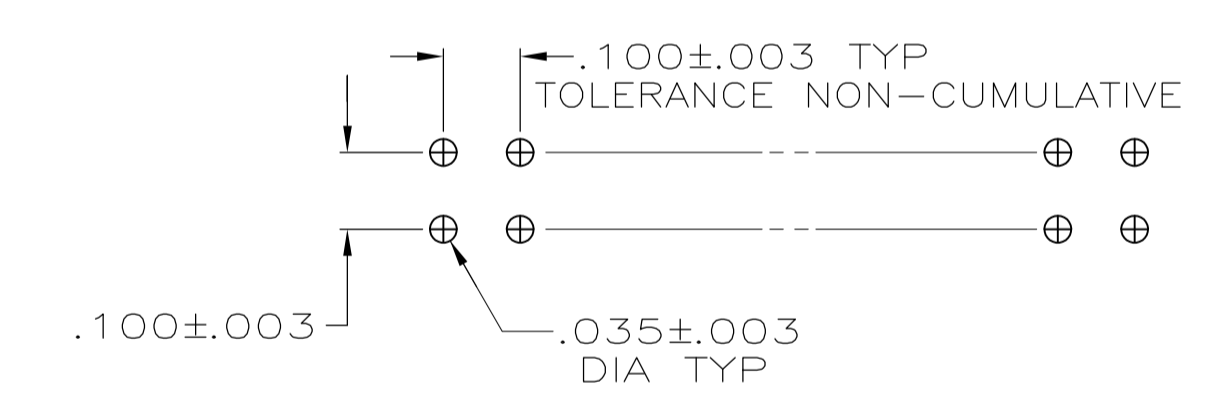
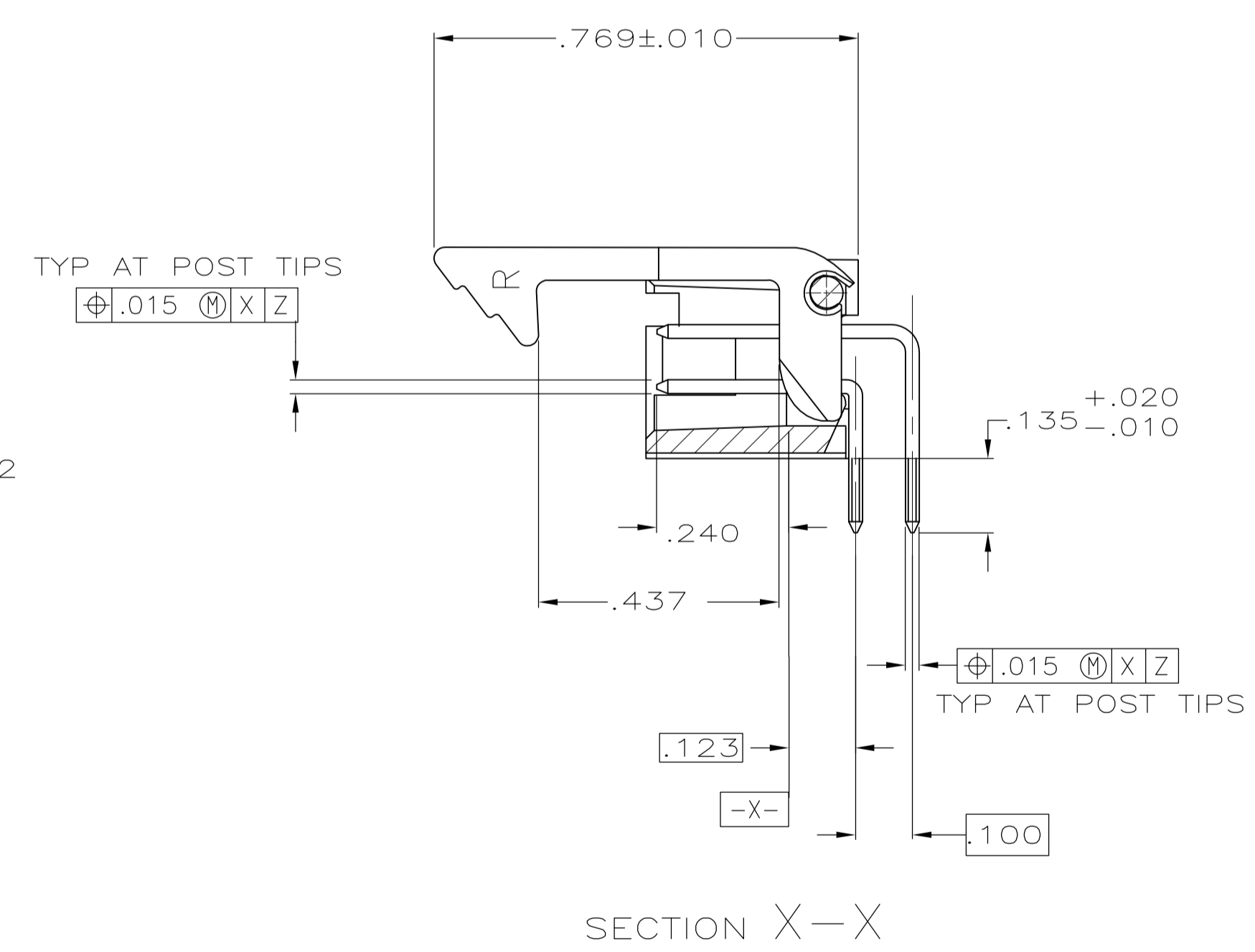
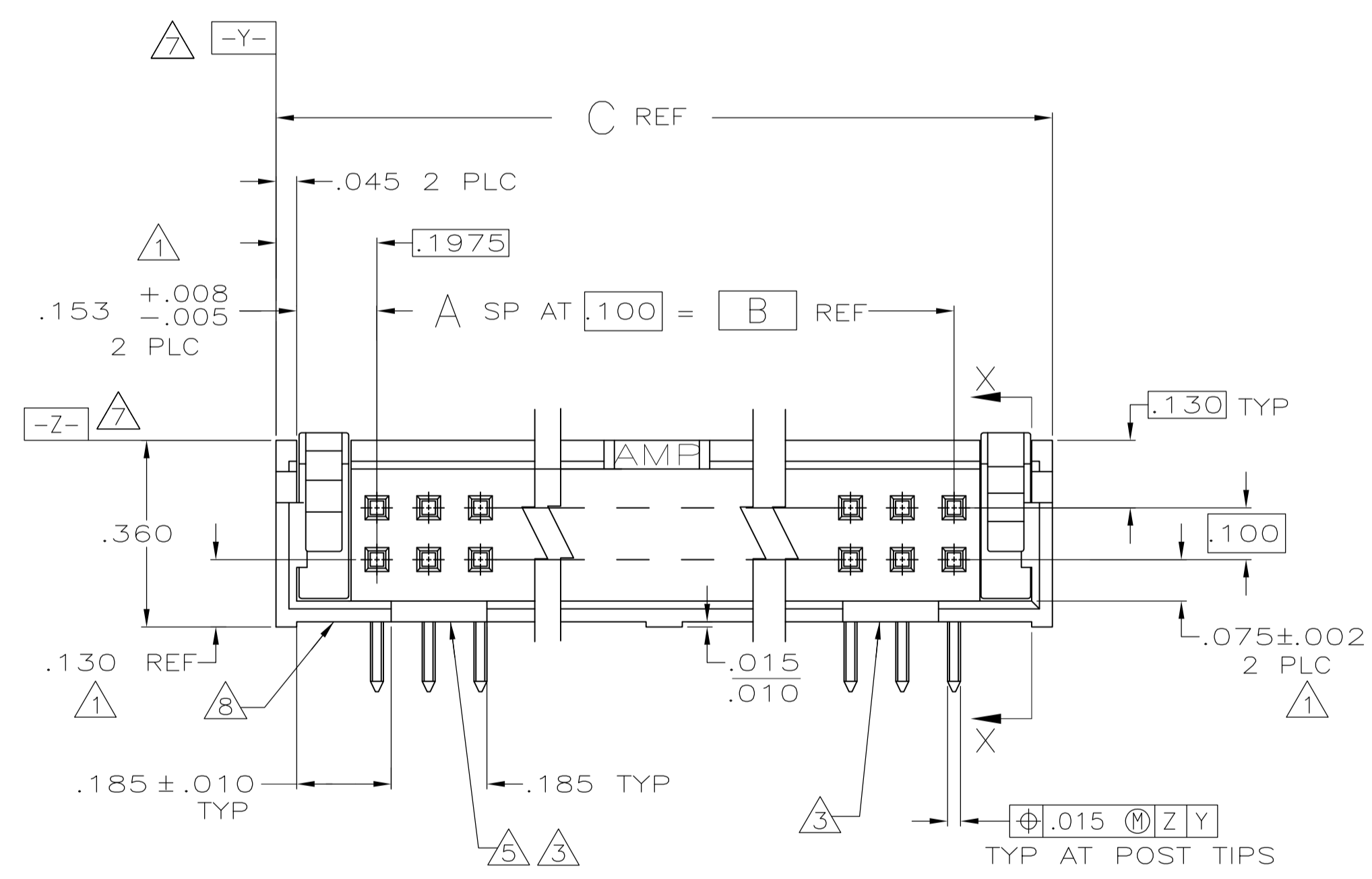
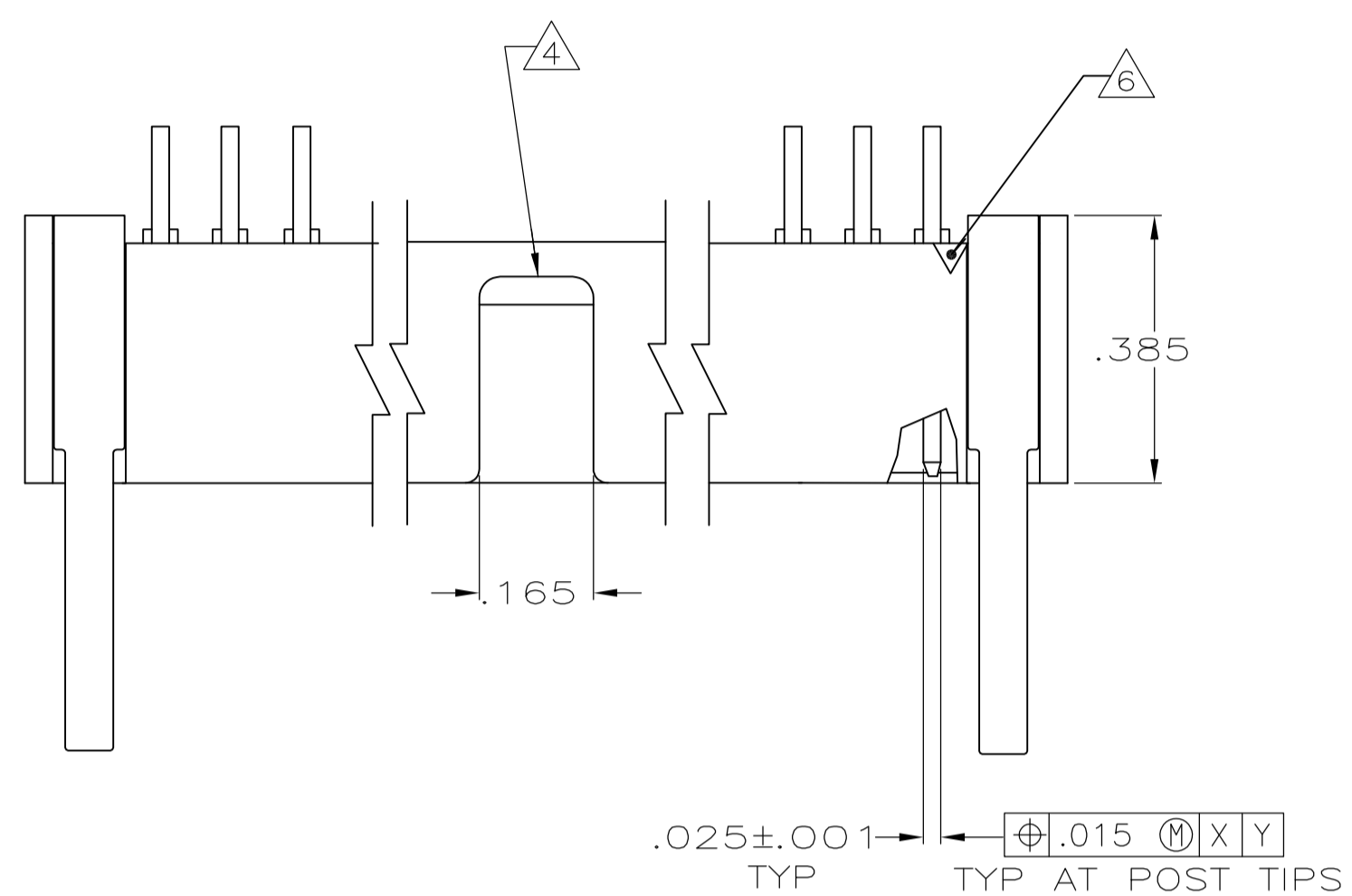


LOC		DIST		REVISIONS			
GP	00	REV	DATE	BY	CHK	APPV	
M		REVISED PER ECO-08-005380	10JUN2008	ZMR	SLB		
M1		REVISED PER ECO-09-021826	09JAN10	KK	AEG		



RECOMMENDED HOLE LAYOUT FOR MANUAL INSERTION

- 1 THE NOTED DIMENSIONS APPLY AT THE INTERSECTION OF THE POST AND HOUSING
- 2 GOLD FLASH OVER PALLADIUM-NICKEL PLATE, .000030 MIN TOTAL ON THE MATING SURFACES, .000100 MIN TIN-LEAD PLATE ON THE SOLDER-TAIL, .000050 MIN NICKEL UNDERPLATE ON THE ENTIRE POST.
OR
.000030 MIN GOLD PLATE ON THE MATING SURFACES, .000100 MIN TIN-LEAD PLATE ON THE SOLDER-TAIL, .000050 MIN NICKEL UNDERPLATE ON THE ENTIRE POST.
- 3 DOUBLE BAR POLARIZATION
- 4 CENTER POLARIZATION SLOT
- 5 FOR 10 POSN ASSEMBLY, SLOT OMITTED WHERE INDICATED
- 6 NUMBER 1 POSITION INDICATOR.
- 7 DATUMS [-Y-] AND [-Z-] APPLY AT THE BASE OF THE SHROUD WALL.
- 8 OPTIONAL AMP IDENTIFICATION NUMBER (DATE CODE). LOCATION APPROXIMATELY WHERE SHOWN.
- 9 MATERIAL: HOUSING: GLASS FILLED NYLON, FLAME RETARDANT, BLACK. POSTS: BRASS.
- 10 OBSOLETE PARTS: OBSOLETE CIS STREAMLINING PER D.RENAUD/D.SINISI

10	SUPERSEDED BY 1-1761609-6	3.300	2.900	29	60	1-104315-0
		2.800	2.400	24	50	104315-9
OBSOLETE		2.500	2.100	21	44	104315-8
		2.300	1.900	19	40	104315-7
		2.000	1.600	16	34	104315-6
	SUPERSEDED BY 1761609-9	1.600	1.200	12	26	104315-5
	SUPERSEDED BY 1761609-7	1.300	.900	9	20	104315-4
10	SUPERSEDED BY 1761609-6	1.100	.700	7	16	104315-3
	SUPERSEDED BY 1761609-5	1.000	.600	6	14	104315-2
	SUPERSEDED BY 1761609-3	.800	.400	4	10	104315-1

C	B	A	NO OF POSN	ASSEMBLY PART NUMBER

THIS DRAWING IS A CONTROLLED DOCUMENT.

DIMENSIONS: INCHES	TOLERANCES UNLESS OTHERWISE SPECIFIED:	DWG NO: 1-26-88	DATE: 1-26-88	DESIGNED BY: DOUTY	CHKD BY: R FEJDT	APPV BY: -	NAME: -	TYCO ELECTRONICS	Tyco Electronics Corporation Harrisburg, PA 17105-3608
0 PLC ± -	1 PLC ± -	2 PLC ± -	3 PLC ± .005	4 PLC ± -	ANGLES ± -	FINISH: -	PRODUCT SPEC: 108-40018	APPLICATION SPEC: -	SIZE: A1
MATERIAL: -	FINISH: -	WEIGHT: -	CAGE CODE: 00779	DRAWING NO: 104315	RESTRICTED TO: -	CUSTOMER DRAWING	SCALE: 4:1	SHEET: 1 OF 1	REV: M1

Mouser Electronics

Authorized Distributor

Click to View Pricing, Inventory, Delivery & Lifecycle Information:

[TE Connectivity:](#)

[104315-7](#)