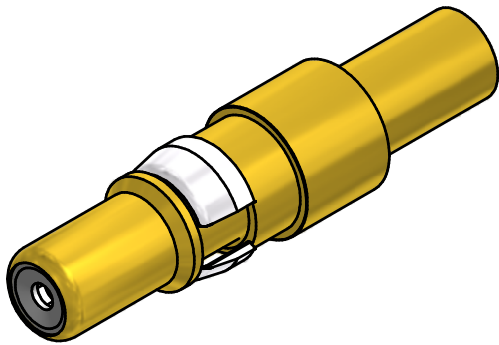
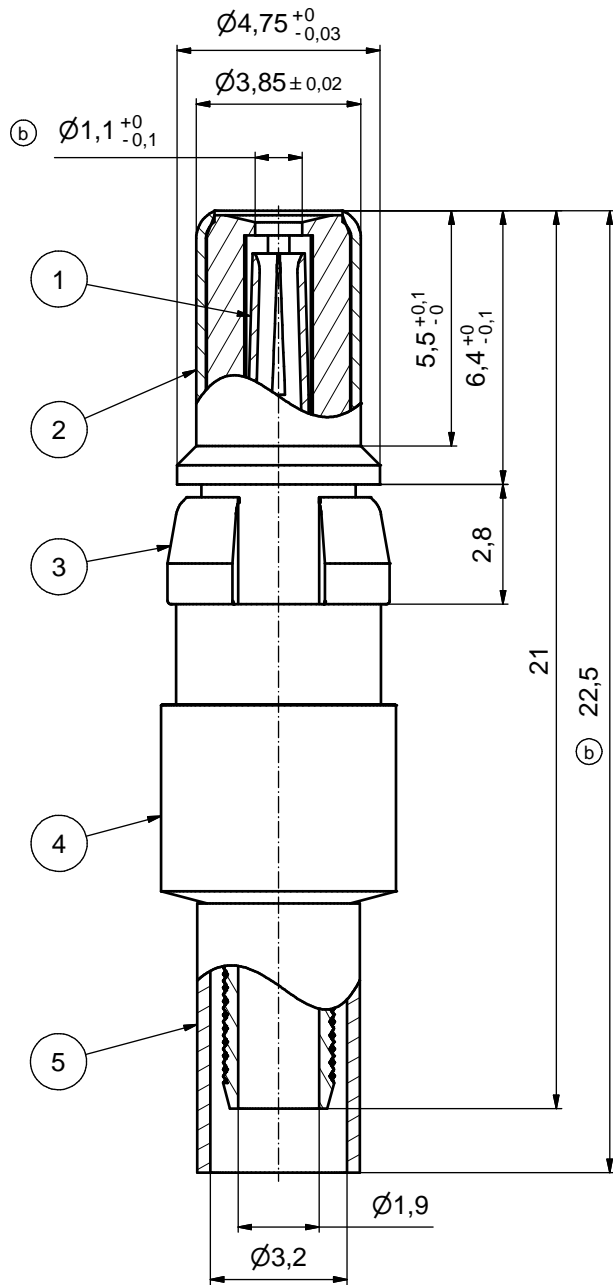
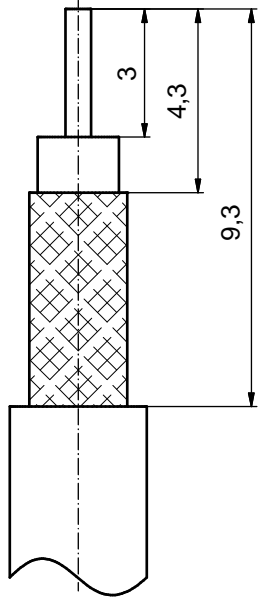


**(b) STRIPPING DIMENSIONS**



**(b) ASSEMBLY TOOLING:**

1. CENTER CONTACT:  
USE CRIMP TOOL: 360X10329X  
WITH TOOL INSERT: 360X11049X  
SELECTOR SETTING: 5 (FOR AWG26 CENTER CONDUCTOR OF CABLE)
2. CRIMP FERRULE:  
USE CRIMP TOOL: 360X10519X  
WITH TOOL INSERT: 360X11019X  
INSERT CAVITY B: HEX 3.25/.128

Part no.	Finish Pos.1	Finish Pos.2	Finish Pos.3	Finish Pos. 4/5
131J21019X	min. 50µin HARD GOLD over min. 50µin NICKEL	min. 30µin HARD GOLD over min. 50µin NICKEL	NICKEL PLATED	GOLD FLASH over NICKEL
131A21019X	GOLD FLASH over NICKEL	GOLD FLASH over NICKEL	NICKEL PLATED	GOLD FLASH over NICKEL

Directive 2002/95/EC RoHS compliant

THIS DRAWING MAY NOT BE COPIED OR REPRODUCED IN ANY WAY, AND MAY NOT BE PASSED ON TO A THIRD PARTY WITHOUT WRITTEN PERMISSION. OWNERSHIP AND COPYRIGHT OF CONEC GmbH DO NOT ALTER CAD DRAWING BY HAND	tolerance		dim. in mm		scale: 8:1
	date		name		material: COPPER ALLOY (Pos.1 - 5) (b)
	drawn	11.11.99	Mickenbecker		title: COAXIAL CONTACT PLUG 50 OHM inner + outer conductor for crimp termination for cable 174U, 188AU, 316U
	appd.	16.11.99	Barcinski		
	norm				
6 x b	Ä 3774	12.10.10	HS	dwg no: Inventor 10	DIN-A3
a	Origin			13K2IV8A	sh: 1
rev.	description	date	name	part no: see table	



# Mouser Electronics

Authorized Distributor

Click to View Pricing, Inventory, Delivery & Lifecycle Information:

[CONEC:](#)

[131J21019X](#)