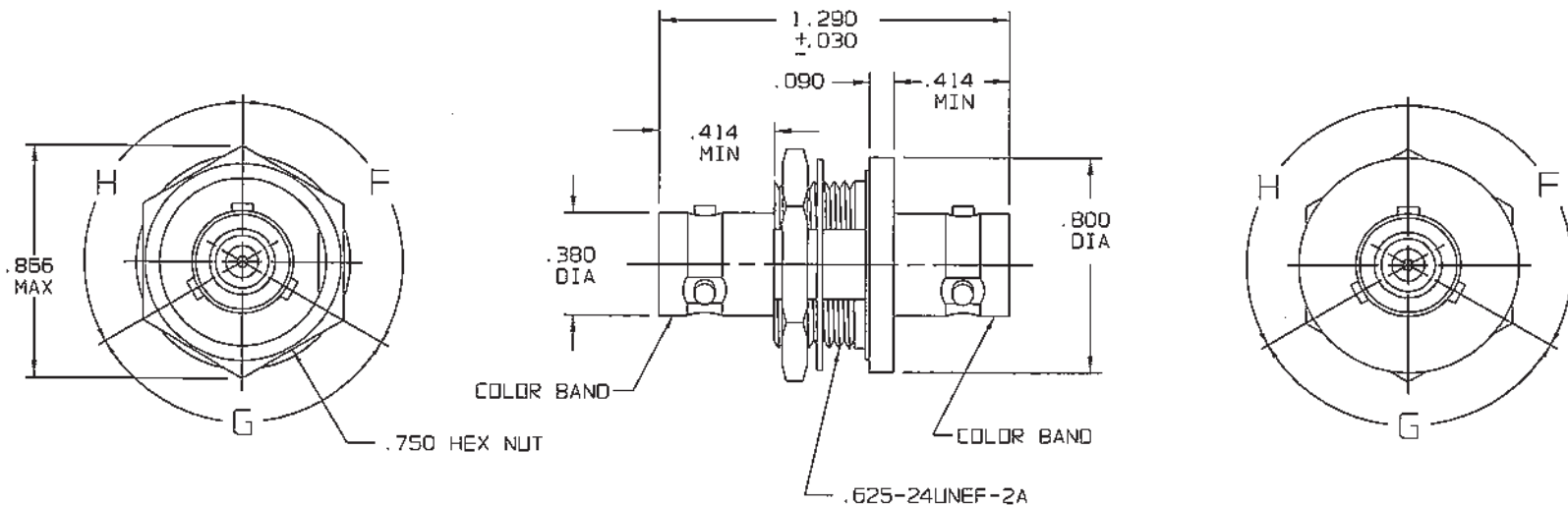


POLARIZATION CHART				
KEYING LETTER	F DEGREES	G DEGREES	H DEGREES	COLOR BAND
T	100°	150°	110°	RED
U	120°	130°	110°	ORANGE
V	115°	130°	115°	YELLOW
W	125°	110°	125°	GREEN
X	130°	100°	130°	BLUE
Y	110°	140°	110°	VIOLET
Z	100°	160°	100°	GRAY
S	135°	135°	90°	WHITE
NONE	120°	120°	120°	NONE

DATA CONTAINED IN THIS DOCUMENT IS PROPRIETARY TO TROMPETER ELECTRONICS INC. AND SHALL NOT BE DISCLOSED, COPIED OR USED FOR PROCUREMENT OR MANUFACTURE WITHOUT EXPRESS WRITTEN PERMISSION OF TROMPETER ELECTRONICS INC.

REVISIONS		3-0057	SH 1
REV	DESCRIPTION	DATE	APPROVED
G	REVISED PER ECD 14834	12-5-02	AAH

RED INDICATES ORIGINAL



5. EXAMPLE OF COMPLETE MODEL NO:

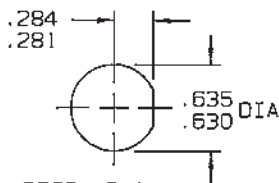
BJ73 T
BASIC MODEL NO ———]
POLARIZATION LETTER ———]

4. CONCENTRIC TWINAX/TRIAX 3-LUG BAYONET FEED THRU INSULATED BULKHEAD RECEPTACLE

3. MAX PNL THK .187

2. FINISH: TFS-1A (NICKEL)

1. ALL DIM ARE IN INCHES



RECOMMENDED
PANEL CUTOUT
SCALE: NONE

DRAWING PER MIL-STD-100 DIMENSIONS ARE IN INCHES AND INCLUDE FINISH THICKNESS UNLESS OTHERWISE SPECIFIED		TOL: UNLESS SPECIFIED .XX .XXX ± .005 .XXXX		 a cinch connectivity solutions brand	
DRAWN: AAH	DATE: 12-2-02	MATERIAL:	ANGLES:		
CHECKED: DD	DATE: 12/4/02	TITLE: BJ73		SIZE: A	EAGE CODE: 14949
QUANTITY: MN	DATE: 5 DEC 02	DRAWING NO. 3-0057		SCALE: NONE	REV. G
APPROVED: AAH	DATE: 12/5/02	DATE: 2-5-81		SHEET 1C	
NEXT ASSY	CAD FILE NO. 3-0057G	DD NOT SCALE DWG			

Mouser Electronics

Authorized Distributor

Click to View Pricing, Inventory, Delivery & Lifecycle Information:

[Cinch Connectivity Solutions:](#)

[BJ73](#)