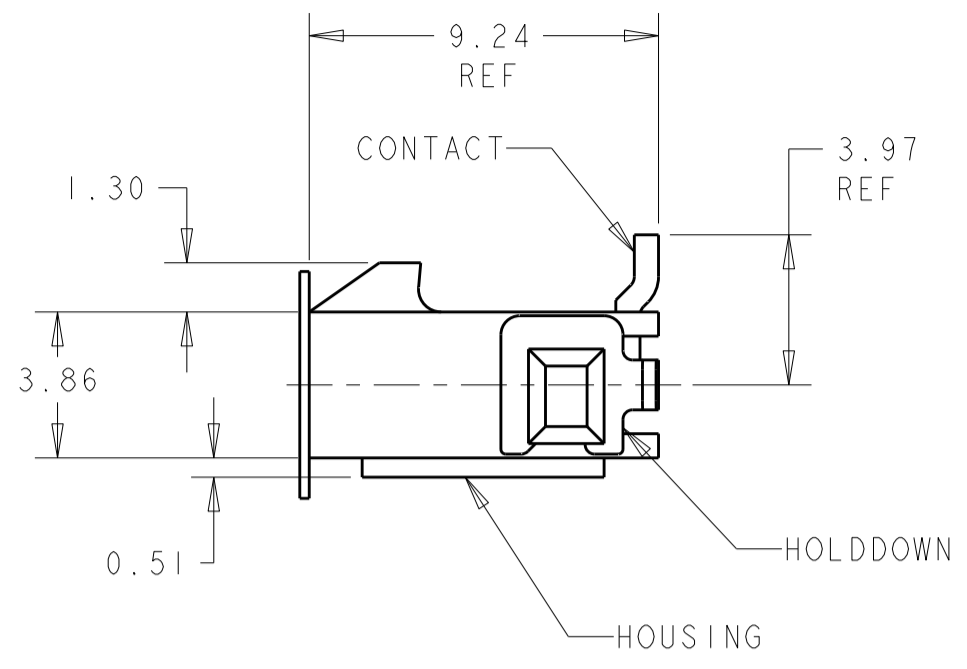
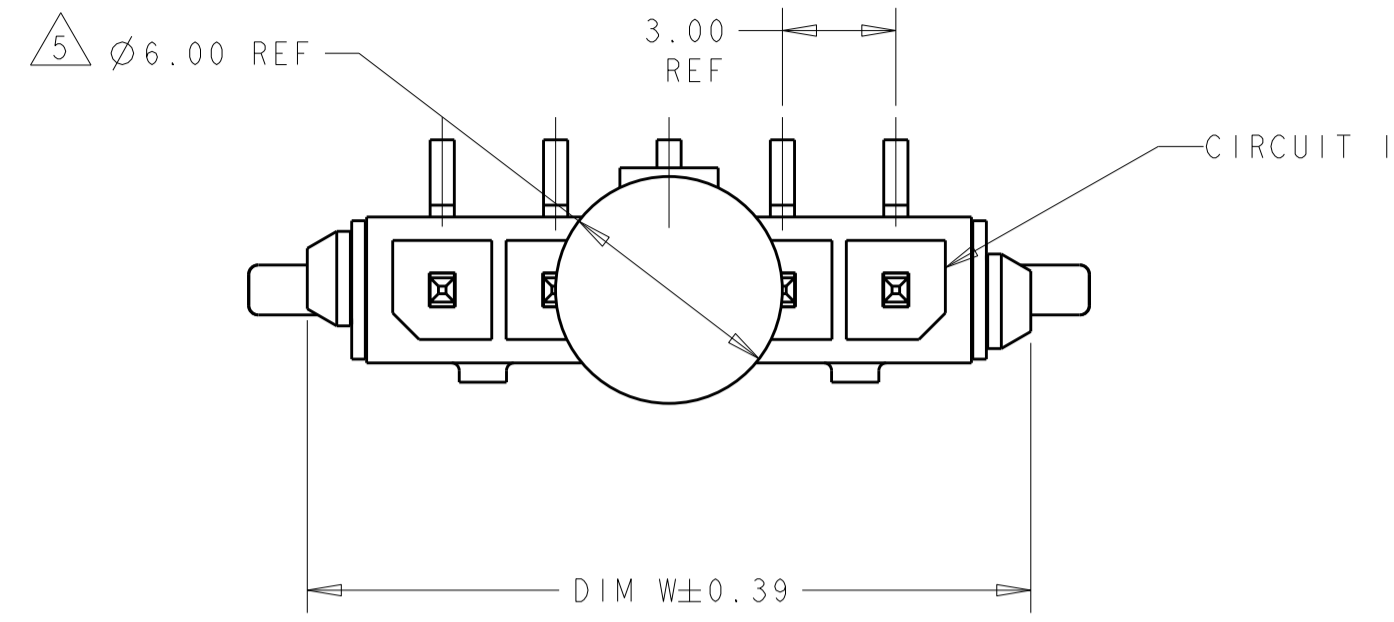
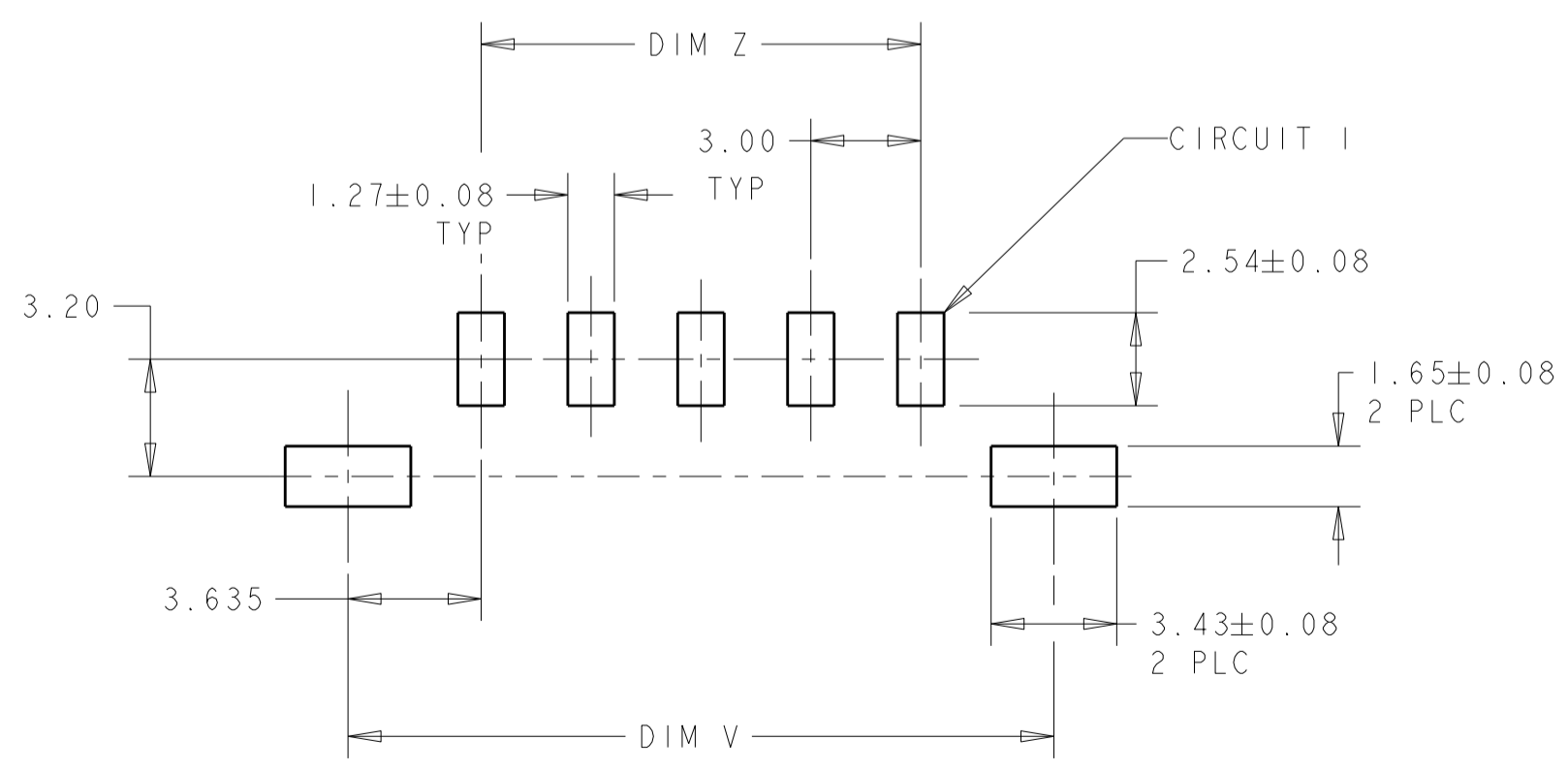
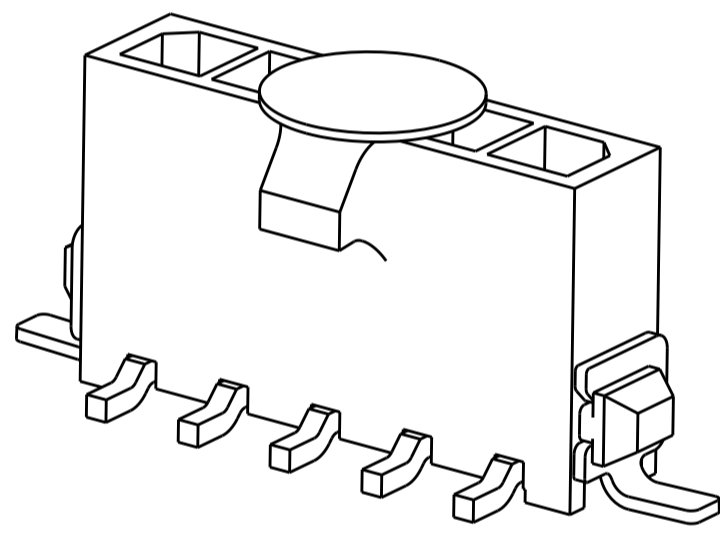
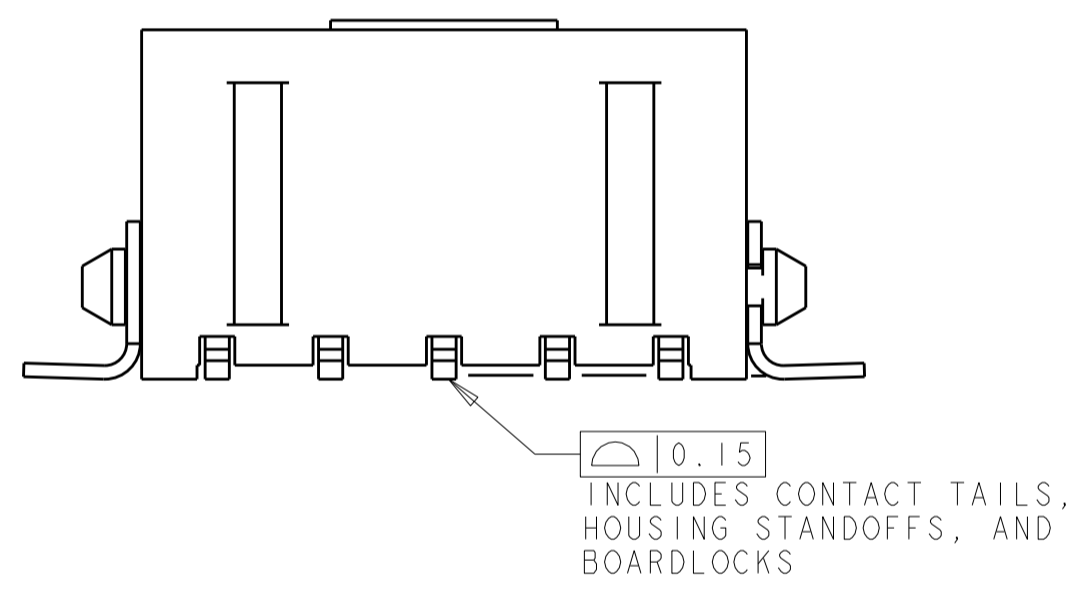


THIS DRAWING IS UNPUBLISHED. RELEASED FOR PUBLICATION 20
 © COPYRIGHT 20 BY - ALL RIGHTS RESERVED.

REVISIONS					
P	LTR	DESCRIPTION	DATE	DWN	APVD
	D2	REVISED PER ECR-16-011494	20JUN2017	NK	CX



- 1 MATERIAL: CONTACTS - BRASS
HOUSING - UL 94V-0 RATED HIGH TEMP NYLON, COLOR BLACK.
HOLDDOWNS: - PHOSPHOR BRONZE.
- 2 PLATING: CONTACTS - 0.38µm MINIMUM GOLD ON MATING END,
2.54µm MINIMUM TIN LEAD ON SOLDER TAILS, BOTH OVER
1.27µm MINIMUM NICKEL.
HOLDDOWNS: 2.54µm MINIMUM TIN-LEAD OVER 1.27µm MINIMUM
NICKEL.
- 4 RECOMMENDED PC BOARD THICKNESS OF 1.57.
- 5 KAPTON VACUUM PICK UP BUTTON.
- 6 PLATING: CONTACTS - 0.38µm MINIMUM GOLD ON MATING END,
2.54µm MINIMUM MATTE TIN ON SOLDER TAILS, BOTH OVER
1.27µm MINIMUM NICKEL.
HOLDDOWNS: 2.54µm MINIMUM MATTE TIN OVER 1.27µm MINIMUM
NICKEL.



PCB LAYOUT COMPONENT SIDE 4

FINISH	DIM Z	DIM V	DIM W	NO. OF POSN	PART NUMBER	
6	33.00	40.41	40.00	12	3-1445087-2	
6	30.00	37.41	37.00	11	3-1445087-1	
6	27.00	34.41	34.00	10	3-1445087-0	
6	24.00	31.41	31.00	9	2-1445087-9	
6	21.00	28.41	28.00	8	2-1445087-8	
6	18.00	25.41	25.00	7	2-1445087-7	
6	15.00	22.41	22.00	6	2-1445087-6	
6	12.00	19.41	19.00	5	2-1445087-5	
6	9.00	16.41	16.00	4	2-1445087-4	
6	6.00	13.41	13.00	3	2-1445087-3	
2	3.00	10.41	10.00	2	2-1445087-2	
SUPERCEDED BY 3-1445087-2	2	33.00	40.41	40.00	12	—1445087-2—
SUPERCEDED BY 3-1445087-1	2	30.00	37.41	37.00	11	—1445087-1—
SUPERCEDED BY 3-1445087-0	2	27.00	34.41	34.00	10	—1445087-0—
SUPERCEDED BY 2-1445087-9	2	24.00	31.41	31.00	9	—1445087-9—
SUPERCEDED BY 2-1445087-8	2	21.00	28.41	28.00	8	—1445087-8—
SUPERCEDED BY 2-1445087-7	2	18.00	25.41	25.00	7	—1445087-7—
SUPERCEDED BY 2-1445087-6	2	15.00	22.41	22.00	6	—1445087-6—
SUPERCEDED BY 2-1445087-5	2	12.00	19.41	19.00	5	—1445087-5—
SUPERCEDED BY 2-1445087-4	2	9.00	16.41	16.00	4	—1445087-4—
SUPERCEDED BY 2-1445087-3	2	6.00	13.41	13.00	3	—1445087-3—
SUPERCEDED BY 2-1445087-2	2	3.00	10.41	10.00	2	—1445087-2—

THIS DRAWING IS A CONTROLLED DOCUMENT.		DWN J.ROOT 09OCT2000	TE Connectivity	
DIMENSIONS: mm		CHK K.WHITAKER 20-FEB-2001		
TOLERANCES UNLESS OTHERWISE SPECIFIED:		APVD C.JONES 20-FEB-2001	NAME VERTICAL SURFACE MOUNT HEADER ASSY, 15 MIC GOLD CONTACTS, SURFACE MOUNT, HOLDDOWNS, SGL ROW, MICRO MATE-N-LOK™	
0 PLC ±		PRODUCT SPEC -	SIZE A2	
1 PLC ±		APPLICATION SPEC -	CAGE CODE 00779	
2 PLC ±0.13		WEIGHT -	DRAWING NO. 1445087	
3 PLC ±		CUSTOMER DRAWING	RESTRICTED TO -	
4 PLC ±		SCALE 5:1	SHEET 1 OF 1	
ANGLES ±		REV D2		
FINISH SEE TABLE				

Mouser Electronics

Authorized Distributor

Click to View Pricing, Inventory, Delivery & Lifecycle Information:

[TE Connectivity:](#)

[2-1445087-8](#)