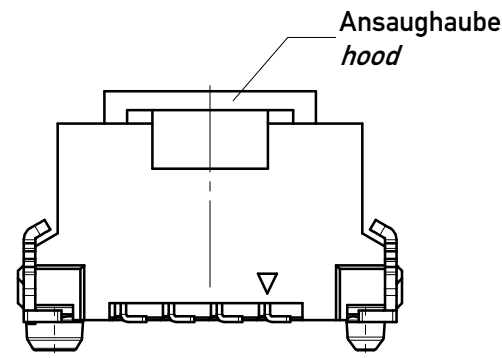


Anforderungsstufe 1
Performance Level 1

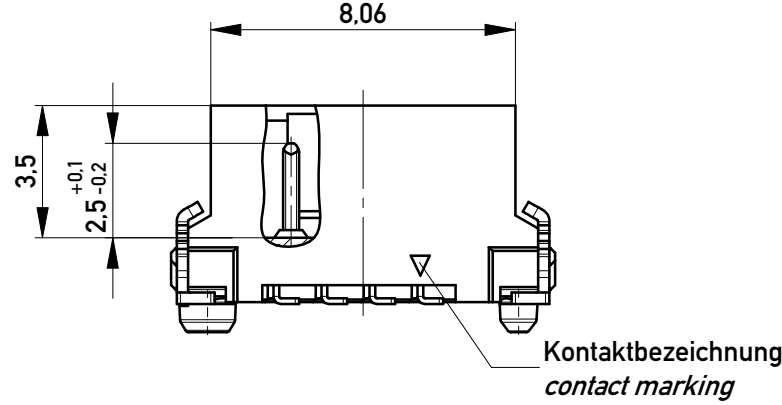
Kontaktbereich vergoldet
Mating Area gold plating

Anschlussbereich verzinnt 4-6 µm
Terminal Area 4-6 µm tin plating

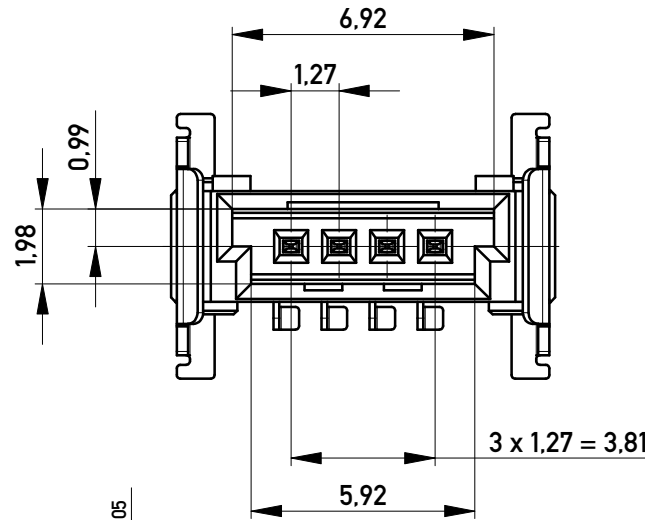
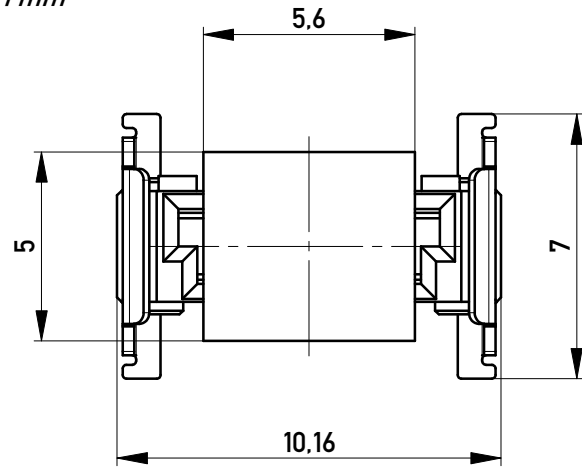
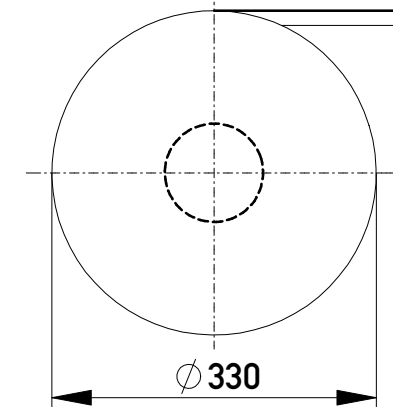
Koplanarität der Anschlüsse ≤ 0,1 mm
Coplanarity Area of Termination ≤ 0,1 mm



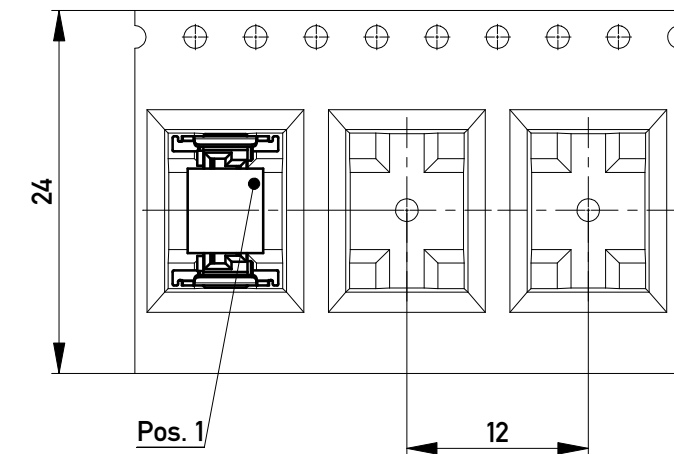
ohne Ansaughaube - without hood



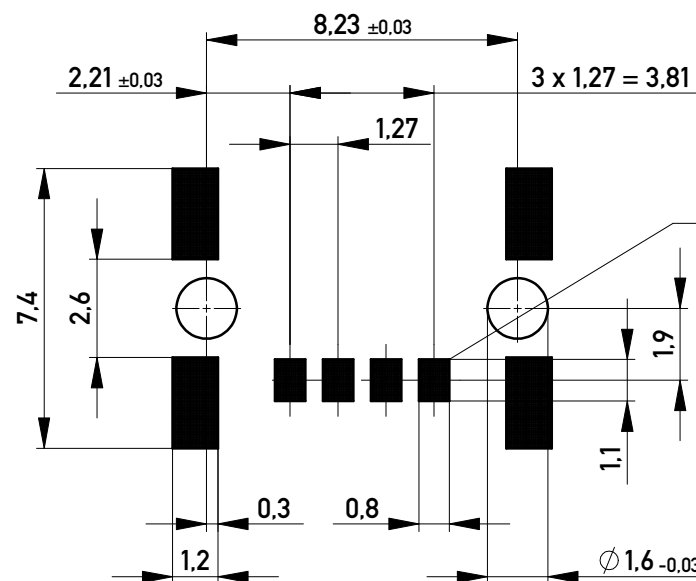
Verpackt in Gurtverpackung
Tape on Reel Packaging
Verpackungseinheit: 650 Stück
Packaging unit: 650 pcs



Abspulrichtung - Reel off Direction



Leiterplatten-Layout für SMT
PCB-Layout for SMT



Kontaktbezeichnung bei Pin 1
contact marking at pin 1

Copyright by ERNI GmbH
Proprietary notice pursuant to ISO 16016 to be observed.

Information:		Tolerances	All Dimensions in mm	Scale	5:1
All rights reserved. Only for Information. To ensure that this is the latest version of this drawing, please contact one of the ERNI companies before using.		Subject to modification without prior notice. Drawing will not be updated.		Designation M 1,27 SRC P, 4-polig BA1	
g		03.04.2013		www.ERNI.com 214017	
Index	Date				
				Class	SRCP
				A3	

Mouser Electronics

Authorized Distributor

Click to View Pricing, Inventory, Delivery & Lifecycle Information:

[ERNI Electronics:](#)

[214017](#)