

# 0.5 pC Charge Injection, 100 pA Leakage, Dual SPDT Analog Switch

## DESCRIPTION

The DG636 is an analog CMOS, dual SPDT switch, designed to operate from a +2.7 V to +12 V single supply or from  $\pm 2.7$  V to  $\pm 5$  V, dual supplies. The DG636 is fully specified at +3 V, +5 V and  $\pm 5$  V. All control logic inputs have guaranteed 2 V logic high limits when operating from +5 V or  $\pm 5$  V supplies and 1.4 V when operating from a 3 V supply.

The DG636 switches conduct equally well in both directions and offer rail to rail analog signal handling.  $< 1$  pC low charge injection, coupled with very low switch capacitance and leakage current makes this product ideal for use in precision instrumentation applications. Operating temperature range is specified from  $-40$  °C to  $+125$  °C. The DG636 is available in 14 lead TSSOP and the space saving 1.8 mm x 2.6 mm miniQFN package.

## FEATURES

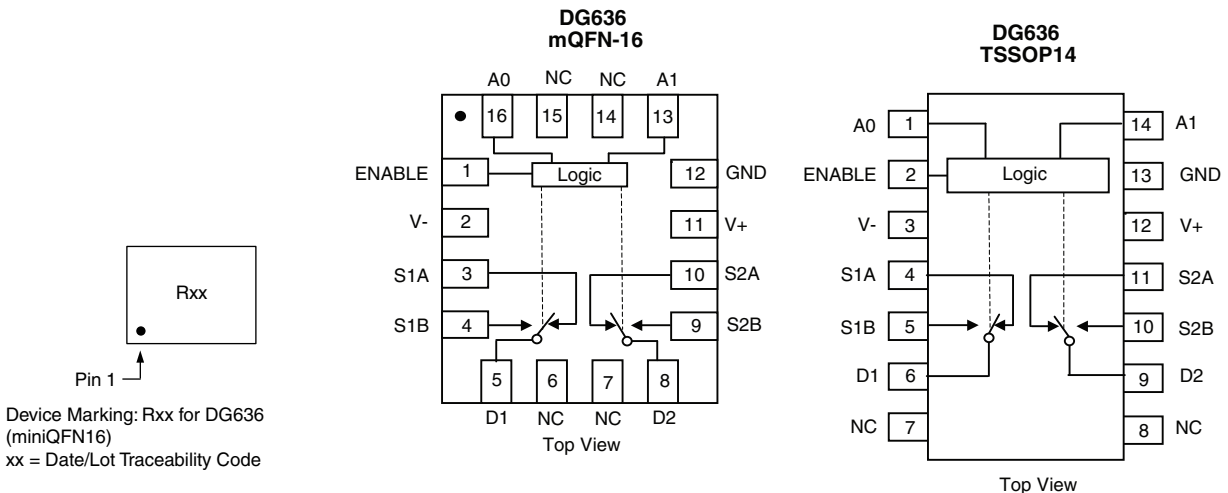
- Ultra low charge injection ( $\pm 0.5$  pC, typ. over the full analog signal range)
- Leakage current  $< 0.5$  nA max. at 85 °C (for DG636EQ-T1-E3)
- Low switch capacitance ( $C_{\text{soff}}$ , 2 pF typ.)
- Low  $R_{\text{DS(on)}}$  - 115  $\Omega$  max.
- Fully specified with single supply operation at 3 V, 5 V and dual supplies at  $\pm 5$  V
- Low voltage, 2.5 V CMOS/TTL compatible
- 600 MHz, - 3 dB bandwidth
- Excellent isolation and crosstalk performance (typ.  $> -60$  dB at 10 MHz)
- Fully specified from  $-40$  °C to  $+85$  °C and  $-40$  °C to  $+125$  °C
- 14 pin TSSOP and 16 pin miniQFN package (1.8 mm x 2.6 mm)
- Material categorization: for definitions of compliance please see [www.vishay.com/doc?99912](http://www.vishay.com/doc?99912)



## APPLICATIONS

- High-end data acquisition
- Medical instruments
- Precision instruments
- High speed communications applications
- Automated test equipment
- Sample and hold applications

## FUNCTIONAL BLOCK DIAGRAM AND PIN CONFIGURATION





TRUTH TABLE			
ENABLE INPUT	SELECTED INPUT		ON SWITCHES
	A1	A0	DG636
L	X	X	All Switches Open
H	L	L	D1 to S1A, D2 to S2A
H	L	H	D1 to S1B, D2 to S2A
H	H	L	D1 to S1A, D2 to S2B
H	H	H	D1 to S1B, D2 to S2B

ORDERING INFORMATION		
TEMP. RANGE	PACKAGE	PART NUMBER
-40 °C to +125 °C <sup>a</sup>	14 pin TSSOP	DG636EQ-T1-E3
	16 pin miniQFN	DG636EN-T1-E4

**Note**

a. -40 °C to +85 °C datasheet limits apply.

ABSOLUTE MAXIMUM RATINGS (T <sub>A</sub> = 25 °C, unless otherwise noted)			
PARAMETER	LIMIT	UNIT	
V <sub>+</sub> to V <sub>-</sub>	14	V	
GND to V <sub>-</sub>	7		
Digital Inputs <sup>a</sup> , V <sub>S</sub> , V <sub>D</sub>	(V <sub>-</sub> ) -0.3 to (V <sub>+</sub> ) +0.3 or 30 mA, whichever occurs first		
Continuous Current (Any Terminal)	30	mA	
Peak Current, S or D (Pulsed 1 ms, 10 % Duty Cycle)	100		
Storage Temperature	-65 to +150	°C	
Power Dissipation (Package) <sup>b</sup>	14 pin TSSOP <sup>c</sup>	450	mW
	16 pin miniQFN <sup>d,e</sup>	525	
Thermal Resistance (Package) <sup>b</sup>	14 pin TSSOP	178	°C/W
	16 pin miniQFN	152	

**Notes**

- a. Signals on SX, DX, or INX exceeding V<sub>+</sub> or V<sub>-</sub> will be clamped by internal diodes. Limit forward diode current to maximum current ratings.
- b. All leads welded or soldered to PC board.
- c. Derate 5.6 mW/°C above 70 °C.
- d. Derate 6.6 mW/°C above 70 °C.
- e. Manual soldering with iron is not recommended for leadless components. The miniQFN-16 is a leadless package. The end of the lead terminal is exposed copper (not plated) as a result of the singulation process in manufacturing. A solder fillet at the exposed copper lip cannot be guaranteed and is not required to ensure adequate bottom side solder interconnection.



SPECIFICATIONS FOR DUAL SUPPLIES									
PARAMETER	SYMBOL	TEST CONDITIONS UNLESS OTHERWISE SPECIFIED V+ = 5 V, V- = -5 V VIN A0, A1 AND ENABLE = 2 V, 0.8 V <sup>a</sup>	TEMP. <sup>b</sup>	TYP. <sup>c</sup>	-40 °C to +125 °C		-40 °C to +85 °C		UNIT
					MIN. <sup>d</sup>	MAX. <sup>d</sup>	MIN. <sup>d</sup>	MAX. <sup>d</sup>	
<b>Analog Switch</b>									
Analog Signal Range <sup>e</sup>	V <sub>ANALOG</sub>		Full	-	-5	5	-5	5	V
On-Resistance	R <sub>DS(on)</sub>	I <sub>S</sub> = 1 mA, V <sub>D</sub> = -3 V, 0 V, +3 V	Room	70	-	115	-	115	Ω
			Full	-	-	160	-	140	
On-Resistance Match	ΔR <sub>ON</sub>	I <sub>S</sub> = 1 mA, V <sub>D</sub> = ± 3 V	Room	1	-	5	-	5	
			Full	-	-	6.5	-	6.5	
On-Resistance Flatness	R <sub>FLATNESS</sub>	I <sub>S</sub> = 1 mA, V <sub>D</sub> = -3 V, 0 V, +3 V	Room	10	-	20	-	20	
			Full	-	-	33	-	22	
Analog Signal Range <sup>e</sup>	V <sub>ANALOG</sub>		Full	-	-5	5	-5	5	V
On-Resistance	R <sub>DS(on)</sub>	I <sub>S</sub> = 1 mA, V <sub>D</sub> = -3 V, 0 V, +3 V	Room	70	-	115	-	115	Ω
			Full	-	-	160	-	140	
On-Resistance Match	ΔR <sub>ON</sub>	I <sub>S</sub> = 1 mA, V <sub>D</sub> = ± 3 V	Room	1	-	5	-	5	
			Full	-	-	6.5	-	6.5	
On-Resistance Flatness	R <sub>FLATNESS</sub>	I <sub>S</sub> = 1 mA, V <sub>D</sub> = -3 V, 0 V, +3 V	Room	10	-	20	-	20	
			Full	-	-	33	-	22	
Switch Off Leakage Current (for 14 pin TSSOP)	I <sub>S(off)</sub>	V+ = 5.5 V, V- = -5.5 V V <sub>D</sub> = ± 4.5 V, V <sub>S</sub> = ∓ 4.5 V	Room	± 0.01	-0.1	0.1	-0.1	0.1	nA
			Full	-	-18	18	-0.5	0.5	
	I <sub>D(off)</sub>		Room	± 0.01	-0.1	0.1	-0.1	0.1	
			Full	-	-18	18	-0.5	0.5	
Channel On Leakage Current (for 14 pin TSSOP)	I <sub>D(on)</sub>	V+ = 5.5 V, V- = -5.5 V, V <sub>S</sub> = V <sub>D</sub> = ± 4.5 V	Room	± 0.01	-0.1	0.1	-0.1	0.1	
			Full	-	-18	18	-0.5	0.5	
Switch Off Leakage Current (for 16 pin miniQFN)	I <sub>S(off)</sub>	V+ = 5.5 V, V- = -5.5 V V <sub>D</sub> = ± 4.5 V, V <sub>S</sub> = ∓ 4.5 V	Room	± 0.01	-1	1	-1	1	
			Full	-	-18	18	-2	2	
	I <sub>D(off)</sub>		Room	± 0.01	-1	1	-1	1	
			Full	-	-18	18	-2	2	
Channel On Leakage Current (for 16 pin miniQFN)	I <sub>D(on)</sub>	V+ = 5.5 V, V- = -5.5 V, V <sub>S</sub> = V <sub>D</sub> = ± 4.5 V	Room	± 0.01	-1	1	-1	1	
			Full	-	-18	18	-2	2	
<b>Digital Control</b>									
Input Current, V <sub>IN</sub> Low	I <sub>IL</sub>	V <sub>IN</sub> A0, A1 and ENABLE Under test = 0.8 V	Full	0.005	-0.1	0.1	-0.1	0.1	μA
Input Current, V <sub>IN</sub> High	I <sub>IH</sub>	V <sub>IN</sub> A0, A1 and ENABLE Under test = 2 V	Full	0.005	-0.1	0.1	-0.1	0.1	
Input Capacitance <sup>e</sup>	C <sub>IN</sub>	f = 1 MHz	Room	3.4	-	-	-	-	pF



SPECIFICATIONS FOR DUAL SUPPLIES									
PARAMETER	SYMBOL	TEST CONDITIONS UNLESS OTHERWISE SPECIFIED V+ = 5 V, V- = -5 V VIN A0, A1 AND ENABLE = 2 V, 0.8 V <sup>a</sup>	TEMP. <sup>b</sup>	TYP. <sup>c</sup>	-40 °C to +125 °C		-40 °C to +85 °C		UNIT
					MIN. <sup>d</sup>	MAX. <sup>d</sup>	MIN. <sup>d</sup>	MAX. <sup>d</sup>	
<b>Dynamic Characteristics</b>									
Transition Time	t <sub>trans</sub>	V <sub>S(CLOSE)</sub> = 3 V, V <sub>S(OPEN)</sub> = 0 V, R <sub>L</sub> = 300 Ω, C <sub>L</sub> = 35 pF	Room	20	-	70	-	70	ns
			Full	-	-	105	-	80	
Turn-On Time	t <sub>ON</sub>	R <sub>L</sub> = 300 Ω, C <sub>L</sub> = 35 pF V <sub>S</sub> = ± 3 V	Room	16	-	60	-	60	
			Full	-	-	90	-	65	
Turn-Off Time	t <sub>OFF</sub>		Room	15	-	52	-	52	
			Full	-	-	76	-	56	
Break-Before-Make Time Delay	t <sub>D</sub>	V <sub>S</sub> = 3 V R <sub>L</sub> = 300 Ω, C <sub>L</sub> = 35 pF	Room	15	-	-	-	-	
			Full	-	5	-	5	-	
Charge Injection <sup>e</sup>	Q	V <sub>g</sub> = 0 V, R <sub>g</sub> = 0 Ω, C <sub>L</sub> = 1 nF	Room	0.1	-	-	-	-	pC
Off Isolation <sup>e</sup>	OIRR	R <sub>L</sub> = 50 Ω, C <sub>L</sub> = 5 pF, f = 10 MHz	Room	-58	-	-	-	-	dB
Bandwidth <sup>e</sup>	BW	R <sub>L</sub> = 50 Ω	Room	610	-	-	-	-	MHz
Channel-to-Channel Crosstalk <sup>e</sup>	X <sub>TALK</sub>	R <sub>L</sub> = 50 Ω, C <sub>L</sub> = 5 pF, f = 10 MHz	Room	-88	-	-	-	-	dB
Source Off Capacitance <sup>e</sup>	C <sub>S(off)</sub>	f = 1 MHz	Room	2.1	-	-	-	-	pF
Drain Off Capacitance <sup>e</sup>	C <sub>D(off)</sub>		Room	4.2	-	-	-	-	
Channel On Capacitance <sup>e</sup>	C <sub>D(on)</sub>		Room	11.3	-	-	-	-	
Total Harmonic Distortion <sup>e</sup>	THD	Signal = 1 V <sub>RMS</sub> , 20 Hz to 20 kHz, R <sub>L</sub> = 600 Ω	Room	0.01	-	-	-	-	%
<b>Power Supplies</b>									
Power Supply Current	I+	V <sub>IN</sub> = 0 V, or V+	Room	0.001	-	0.5	-	0.5	μA
			Full	-	-	1	-	1	
Negative Supply Current	I-		Room	-0.001	-0.5	-	-0.5	-	
			Full	-	-1	-	-1	-	
Ground Current	I <sub>GND</sub>		Room	-0.001	-0.5	-	-0.5	-	
			Full	-	-1	-	-1	-	



SPECIFICATIONS FOR SINGLE SUPPLY										
PARAMETER	SYMBOL	TEST CONDITIONS UNLESS OTHERWISE SPECIFIED V <sub>+</sub> = 5 V, V <sub>-</sub> = 0 V V <sub>IN A0, A1 AND ENABLE</sub> = 2 V, 0.8 V <sup>a</sup>	TEMP. <sup>b</sup>	TYP. <sup>c</sup>	-40 °C to +125 °C		-40 °C to +85 °C		UNIT	
					MIN. <sup>d</sup>	MAX. <sup>d</sup>	MIN. <sup>d</sup>	MAX. <sup>d</sup>		
<b>Analog Switch</b>										
Analog Signal Range <sup>e</sup>	V <sub>ANALOG</sub>		Full	-	-	5	-	5	V	
On-Resistance	R <sub>DS(on)</sub>	I <sub>S</sub> = 1 mA, V <sub>D</sub> = +3.5 V	Room	120	-	170	-	170	Ω	
			Full	-	-	250	-	200		
On-Resistance Match	ΔR <sub>ON</sub>	I <sub>S</sub> = 1 mA, V <sub>D</sub> = +3.5 V	Room	3	-	5	-	5	Ω	
			Full	-	-	12	-	10		
Switch Off Leakage Current (for 14 pin TSSOP)	I <sub>S(off)</sub>	V <sub>+</sub> = 5.5 V, V <sub>-</sub> = 0 V V <sub>D</sub> = 1 V/4.5 V, V <sub>S</sub> = 4.5 V/1 V	Room	± 0.01	-0.1	0.1	-0.1	0.1	nA	
			Full	-	-18	18	-0.5	0.5		
	I <sub>D(off)</sub>		Room	± 0.01	-0.1	0.1	-0.1	0.1		
			Full	-	-18	18	-0.5	0.5		
Channel On Leakage Current (for 14 pin TSSOP)	I <sub>D(on)</sub>	V <sub>+</sub> = 5.5 V, V <sub>-</sub> = 0 V V <sub>S</sub> = V <sub>D</sub> = 1 V/4.5 V	Room	± 0.01	-0.1	0.1	-0.1	0.1	nA	
			Full	-	-18	18	-0.5	0.5		
Switch Off Leakage Current (for 16 pin miniQFN)	I <sub>S(off)</sub>	V <sub>+</sub> = 5.5 V, V <sub>-</sub> = 0 V V <sub>D</sub> = 1 V/4.5 V, V <sub>S</sub> = 4.5 V/1 V	Room	± 0.01	-1	1	-1	1	nA	
			Full	-	-18	18	-2	2		
	I <sub>D(off)</sub>		Room	± 0.01	-1	1	-1	1		
			Full	-	-18	18	-2	2		
Channel On Leakage Current (for 16 pin miniQFN)	I <sub>D(on)</sub>	V <sub>+</sub> = 5.5 V, V <sub>-</sub> = 0 V, V <sub>S</sub> = V <sub>D</sub> = 1 V/4.5 V	Room	± 0.01	-1	1	-1	1	nA	
			Full	-	-18	18	-2	2		
<b>Digital Control</b>										
Input Current, V <sub>IN</sub> Low	I <sub>L</sub>	V <sub>IN A0, A1 and ENABLE</sub> Under test = 0.8 V	Full	0.005	-0.1	0.1	-0.1	0.1	μA	
Input Current, V <sub>IN</sub> High	I <sub>H</sub>	V <sub>IN A0, A1 and ENABLE</sub> Under test = 2 V	Full	0.005	-0.1	0.1	-0.1	0.1	μA	
Input Capacitance	C <sub>IN</sub>	f = 1 MHz	Room	4.3	-	-	-	-	pF	
<b>Dynamic Characteristics</b>										
Transition Time	t <sub>TRANS</sub>	V <sub>S(CLOSE)</sub> = 3 V, V <sub>S(OPEN)</sub> = 0 V, R <sub>L</sub> = 300 Ω, C <sub>L</sub> = 35 pF	Room	36	-	75	-	75	ns	
			Full	-	-	120	-	95		
Enable Turn-On Time	t <sub>ON(EN)</sub>		Room	30	-	70	-	70		
			Full	-	-	102	-	80		
Enable Turn-Off Time	t <sub>OFF(EN)</sub>		Room	17	-	47	-	47		
			Full	-	-	88	-	63		
Break-Before-Make-Time	t <sub>BMM</sub>		Room	23	-	-	-	-		ns
			Full	-	5	-	5	-		
Charge Injection	Q		C <sub>L</sub> = 1 nF, R <sub>GEN</sub> = 0 Ω, V <sub>GEN</sub> = 0 V	Full	0.1	-	-	-		pC
Off-Isolation <sup>e</sup>	OIRR		f = 10 MHz, R <sub>L</sub> = 50 Ω, C <sub>L</sub> = 5 pF	Room	-58	-	-	-		dB
Crosstalk <sup>e</sup>	X <sub>TALK</sub>	Room		-81	-	-	-			
Bandwidth <sup>e</sup>	BW	R <sub>L</sub> = 50 Ω	Room	520	-	-	-	MHz		
Total Harmonic Distortion	THD	Signal = 1 V <sub>RMS</sub> , 20 Hz to 20 kHz, R <sub>L</sub> = 600 Ω	Room	0.009	-	-	-	%		
Source Off Capacitance <sup>e</sup>	C <sub>S(off)</sub>	f = 1 MHz	Room	2.5	-	-	-	pF		
Drain Off Capacitance <sup>e</sup>	C <sub>D(off)</sub>			6.4	-	-	-			
Channel On Capacitance <sup>e</sup>	C <sub>D(on)</sub>			11.3	-	-	-			



SPECIFICATIONS FOR SINGLE SUPPLY									
PARAMETER	SYMBOL	TEST CONDITIONS UNLESS OTHERWISE SPECIFIED $V_+ = 5\text{ V}, V_- = 0\text{ V}$ $V_{IN\ A0, A1\ \text{AND}\ \text{ENABLE}} = 2\text{ V}, 0.8\text{ V}^a$	TEMP. <sup>b</sup>	TYP. <sup>c</sup>	-40 °C to +125 °C		-40 °C to +85 °C		UNIT
					MIN. <sup>d</sup>	MAX. <sup>d</sup>	MIN. <sup>d</sup>	MAX. <sup>d</sup>	
<b>Power Supplies</b>									
Power Supply Current	I+	$V_{IN} = 0\text{ V}, \text{ or } V_+$	Room	0.001	-	0.5	-	0.5	$\mu\text{A}$
			Full	-	-	1	-	1	
Negative Supply Current	I-		Room	-0.001	-0.5	-	-0.5	-	
			Full	-	-1	-	-1	-	
Ground Current	I <sub>GND</sub>		Room	-0.001	-0.5	-	-0.5	-	
			Full	-	-1	-	-1	-	

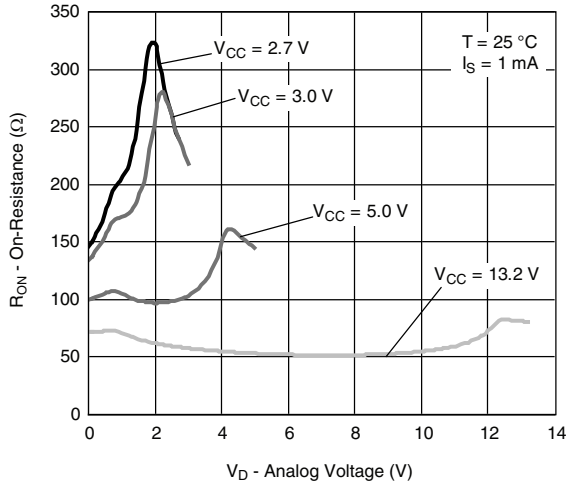
SPECIFICATIONS FOR SINGLE SUPPLY									
PARAMETER	SYMBOL	TEST CONDITIONS UNLESS OTHERWISE SPECIFIED $V_+ = 3\text{ V}, V_- = 0\text{ V}$ $V_{IN\ A0, A1\ \text{AND}\ \text{ENABLE}} = 1.4\text{ V}, 0.6\text{ V}^a$	TEMP. <sup>b</sup>	TYP. <sup>c</sup>	-40 °C to +125 °C		-40 °C to +85 °C		UNIT
					MIN. <sup>d</sup>	MAX. <sup>d</sup>	MIN. <sup>d</sup>	MAX. <sup>d</sup>	
<b>Analog Switch</b>									
Analog Signal Range <sup>e</sup>	V <sub>ANALOG</sub>		Full	-	-	3	-	3	V
On-Resistance	R <sub>DS(on)</sub>	$I_S = 1\text{ mA}, V_D = +1.5\text{ V}$	Room	200	-	245	-	245	$\Omega$
			Full	-	-	325	-	290	
On-Resistance Match	$\Delta R_{ON}$	$I_S = 1\text{ mA}, V_D = +1.5\text{ V}$	Room	5	-	6	-	11	$\Omega$
			Full	-	-	13	-	6	
Switch Off Leakage Current (for 14 pin TSSOP)	I <sub>S(off)</sub>	$V_+ = 3\text{ V}, V_- = 0\text{ V}$ $V_D = 1\text{ V}/3\text{ V}, V_S = 3\text{ V}/1\text{ V}$	Room	$\pm 0.01$	-0.1	0.1	-0.1	0.1	$\text{nA}$
			Full	-	-18	18	-0.5	0.5	
	I <sub>D(off)</sub>		Room	$\pm 0.01$	-0.1	0.1	-0.1	0.1	
			Full	-	-18	18	-0.5	0.5	
Channel On Leakage Current (for 14 pin TSSOP)	I <sub>D(on)</sub>	$V_+ = 3\text{ V}, V_- = 0\text{ V}$ $V_S = V_D = 1\text{ V}/3\text{ V}$	Room	$\pm 0.01$	-0.1	0.1	-0.1	0.1	
			Full	-	-18	18	-0.5	0.5	
Switch Off Leakage Current (for 16 pin miniQFN)	I <sub>S(off)</sub>	$V_+ = 3.3\text{ V}, V_- = 0\text{ V}$ $V_D = 1\text{ V}/3\text{ V}, V_S = 3\text{ V}/1\text{ V}$	Room	$\pm 0.01$	-1	1	-1	1	
			Full	-	-18	18	-2	2	
	I <sub>D(off)</sub>		Room	$\pm 0.01$	-1	1	-1	1	
			Full	-	-18	18	-2	2	
Channel On Leakage Current (for 16 pin miniQFN)	I <sub>D(on)</sub>	$V_+ = 3.3\text{ V}, V_- = 0\text{ V}$ $V_S = V_D = 1\text{ V}/3\text{ V}$	Room	$\pm 0.01$	-1	1	-1	1	
			Full	-	-18	18	-2	2	
<b>Digital Control</b>									
Input Current, V <sub>IN</sub> Low	I <sub>L</sub>	$V_{IN\ A0, A1\ \text{and}\ \text{ENABLE}}$ Under test = 0.6 V	Full	0.005	-1	1	-1	1	$\mu\text{A}$
Input Current, V <sub>IN</sub> High	I <sub>H</sub>	$V_{IN\ A0, A1\ \text{and}\ \text{ENABLE}}$ Under test = 1.4 V	Full	0.005	-1	1	-1	1	
Input Capacitance	C <sub>IN</sub>	f = 1 MHz	Room	4.3	-	-	-	-	pF



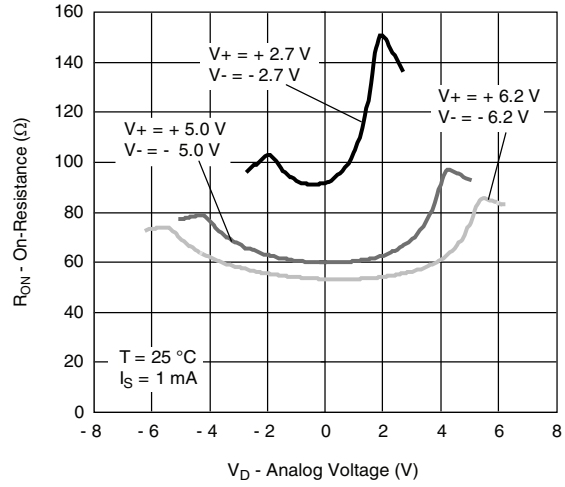
SPECIFICATIONS FOR SINGLE SUPPLY									
PARAMETER	SYMBOL	TEST CONDITIONS UNLESS OTHERWISE SPECIFIED V+ = 3 V, V- = 0 V VIN A0, A1 AND ENABLE = 1.4 V, 0.6 V <sup>a</sup>	TEMP. <sup>b</sup>	TYP. <sup>c</sup>	-40 °C to +125 °C		-40 °C to +85 °C		UNIT
					MIN. <sup>d</sup>	MAX. <sup>d</sup>	MIN. <sup>d</sup>	MAX. <sup>d</sup>	
<b>Dynamic Characteristics</b>									
Transition Time	t <sub>TRANS</sub>	V <sub>S(CLOSE)</sub> = 3 V, V <sub>S(OPEN)</sub> = 0 V, R <sub>L</sub> = 300 Ω, C <sub>L</sub> = 35 pF	Room	95	-	130	-	130	ns
			Full	-	-	190	-	160	
Enable Turn-On Time	t <sub>ON(EN)</sub>		Room	77	-	108	-	108	
			Full	-	-	161	-	131	
Enable Turn-Off Time	t <sub>OFF(EN)</sub>		Room	35	-	76	-	76	
			Full	-	-	112	-	88	
Break-Before-Make-Time	t <sub>BMM</sub>		Room	45	-	-	-	-	
			Full	-	5	-	5	-	
Charge Injection	Q	C <sub>L</sub> = 1 nF, R <sub>GEN</sub> = 0 Ω, V <sub>GEN</sub> = 0 V	Full	0.24	-	-	-	-	pC
Off-Isolation <sup>e</sup>	OIRR	f = 10 MHz, R <sub>L</sub> = 50 Ω, C <sub>L</sub> = 5 pF	Room	-57	-	-	-	-	dB
Crosstalk <sup>e</sup>	X <sub>TALK</sub>		Room	-93	-	-	-	-	
Bandwidth <sup>e</sup>	BW	R <sub>L</sub> = 50 Ω	Room	442	-	-	-	-	MHz
Total Harmonic Distortion	THD	Signal = 1 V <sub>RMS</sub> , 20 Hz to 20 kHz, R <sub>L</sub> = 600 Ω	Room	0.09	-	-	-	-	%
Source Off Capacitance <sup>e</sup>	C <sub>S(off)</sub>	f = 1 MHz	Room	2.5	-	-	-	-	pF
Drain Off Capacitance <sup>e</sup>	C <sub>D(off)</sub>		Room	6.4	-	-	-	-	
Channel On Capacitance <sup>e</sup>	C <sub>D(on)</sub>		Room	11.7	-	-	-	-	
<b>Power Supplies</b>									
Power Supply Current	I <sub>+</sub>	VIN = 0 V, or V+	Room	0.001	-	0.5	-	0.5	μA
			Full	-	-	1	-	1	
Negative Supply Current	I <sub>-</sub>		Room	-0.001	-0.5	-	-0.5	-	
			Full	-	-1	-	-1	-	
Ground Current	IGND		Room	-0.001	-0.5	-	-0.5	-	
			Full	-	-1	-	-1	-	

Stresses beyond those listed under "Absolute Maximum Ratings" may cause permanent damage to the device. These are stress ratings only, and functional operation of the device at these or any other conditions beyond those indicated in the operational sections of the specifications is not implied. Exposure to absolute maximum rating conditions for extended periods may affect device reliability.

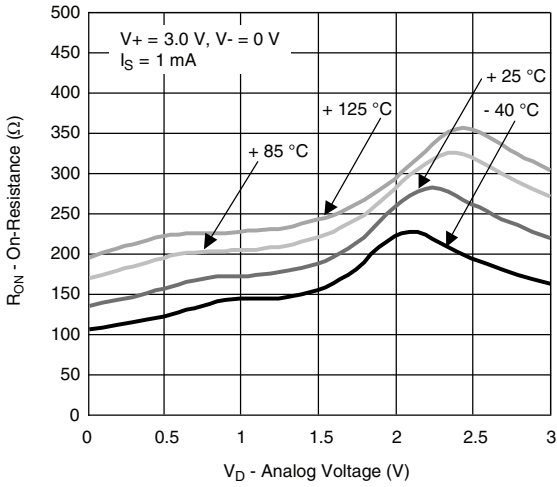
**TYPICAL CHARACTERISTICS** (25 °C, unless otherwise noted)



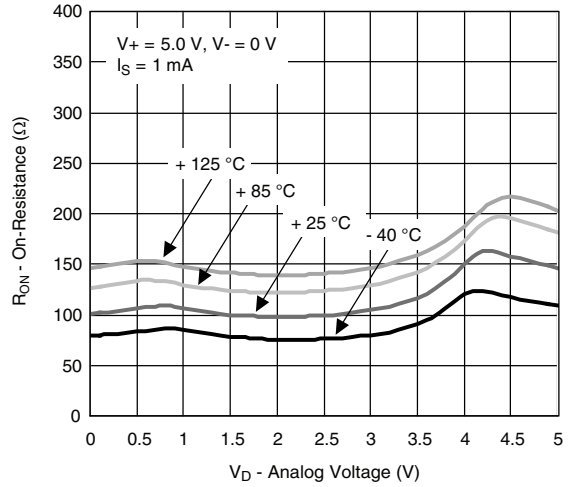
**On-Resistance vs.  $V_D$  (Single Supply Voltage)**



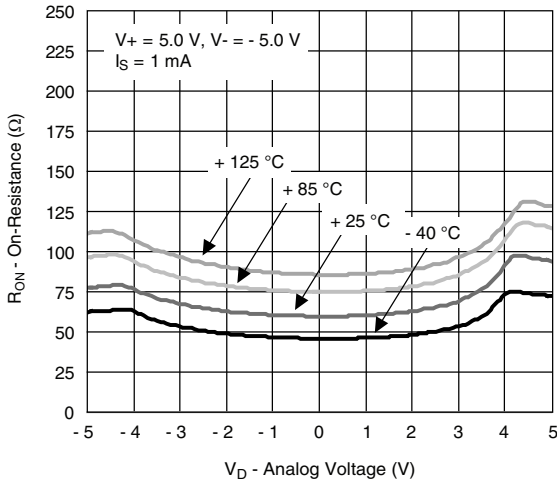
**On-Resistance vs.  $V_D$  (Dual Supply Voltage)**



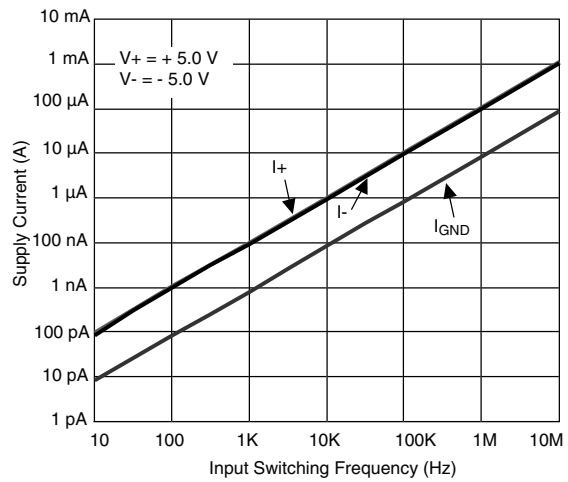
**On-Resistance vs. Analog Voltage and Temperature**



**On-Resistance vs. Analog Voltage and Temperature**



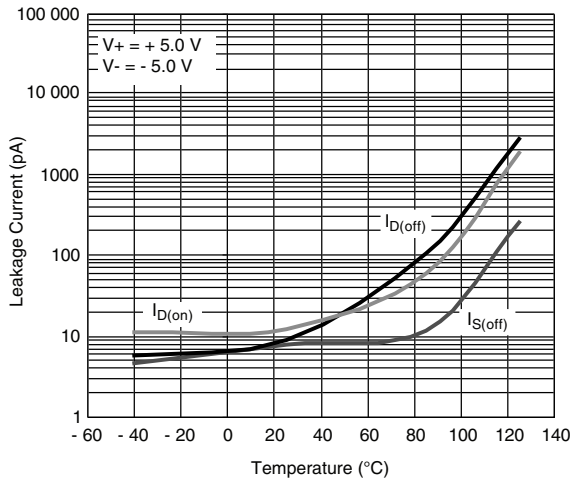
**On-Resistance vs. Analog Voltage and Temperature**



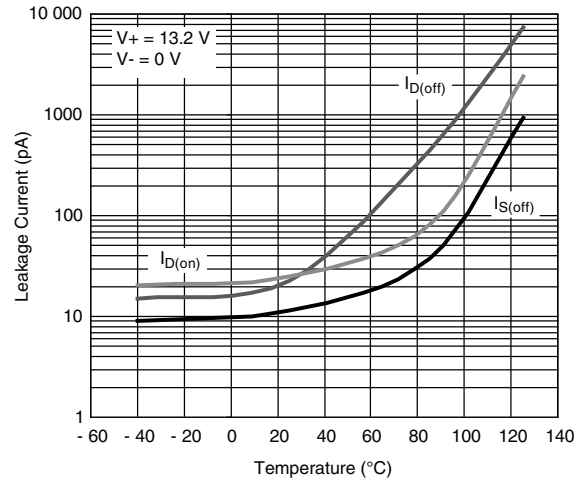
**Supply Current vs. Input Switching Frequency**



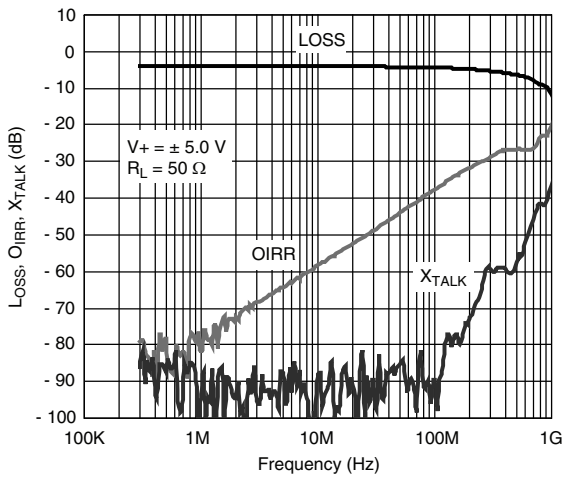
**TYPICAL CHARACTERISTICS** (25 °C, unless otherwise noted)



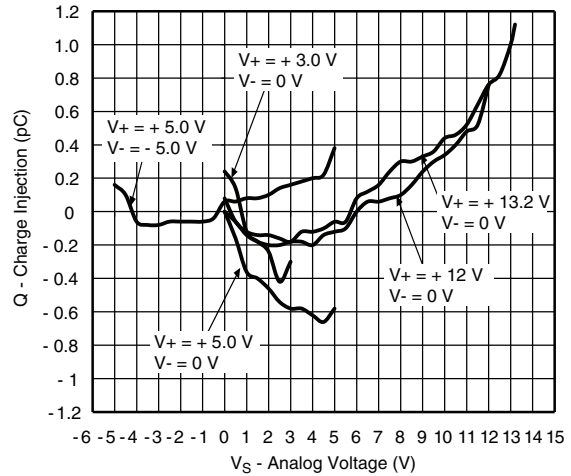
**Leakage Current vs. Temperature**



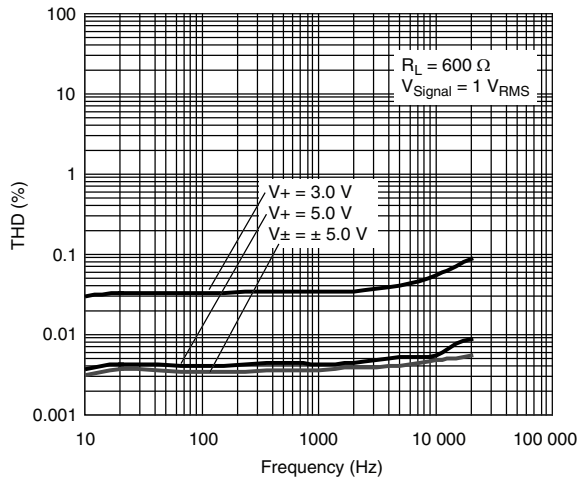
**Leakage Current vs. Temperature**



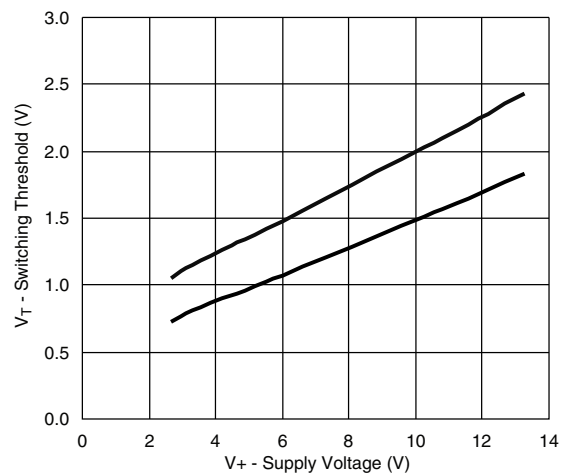
**Insertion Loss, Off-Isolation, Crosstalk vs. Frequency**



**Charge Injection vs. Analog Voltage**



**Total Harmonic Distortion vs. Frequency**



**Switching Threshold vs. Supply Voltage**

TEST CIRCUITS

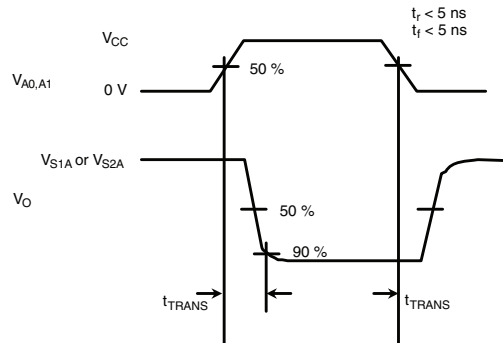
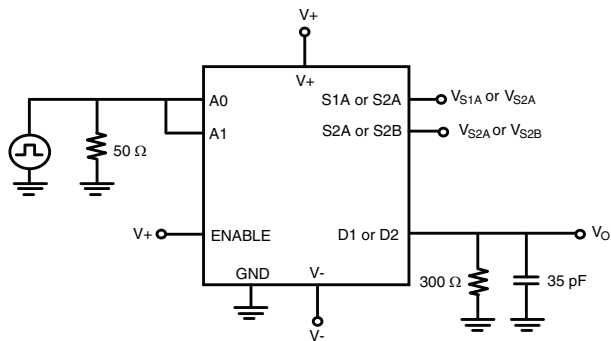


Fig. 1 - Transition Time

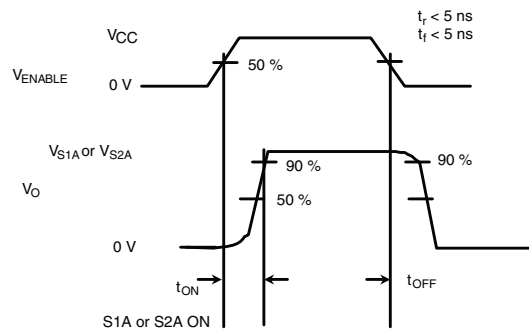
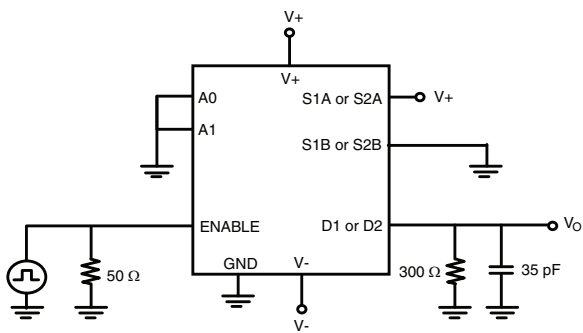


Fig. 2 - Enable Switching Time

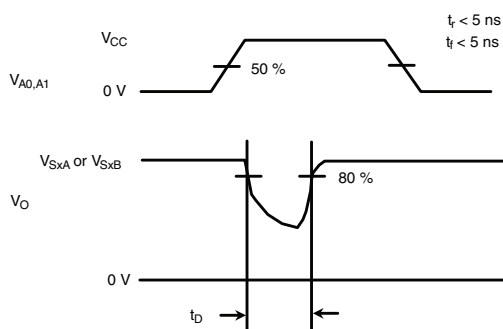
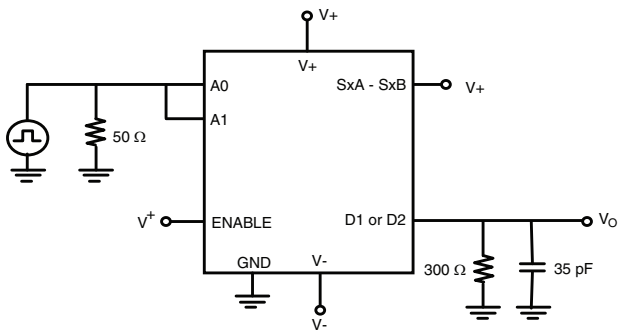


Fig. 3 - Break-Before-Make

TEST CIRCUITS

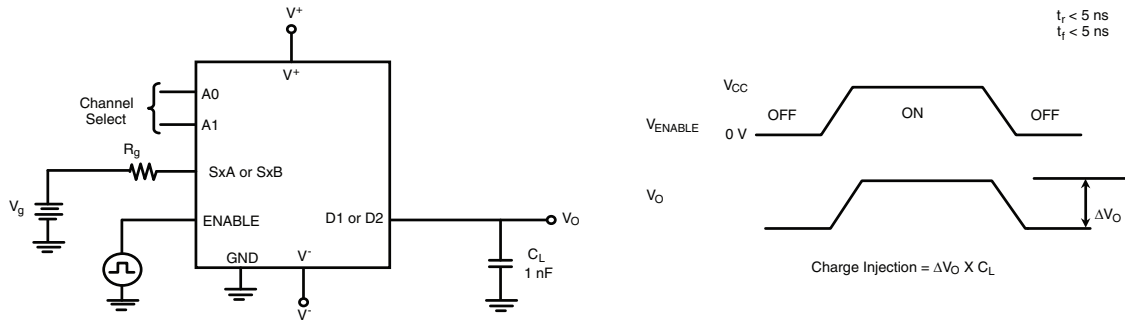


Fig. 4 - Charge Injection

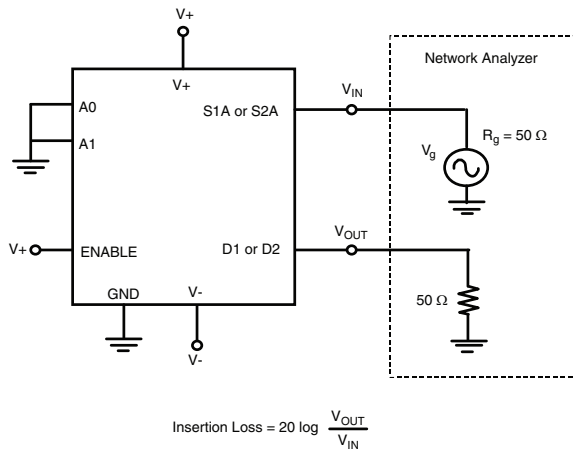


Fig. 5 - Insertion Loss

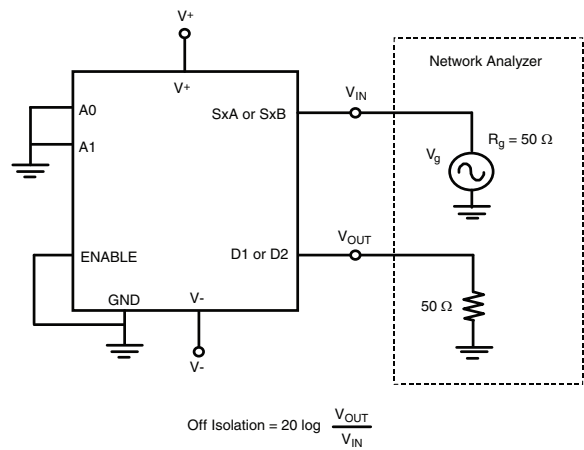


Fig. 7 - Off-Isolation

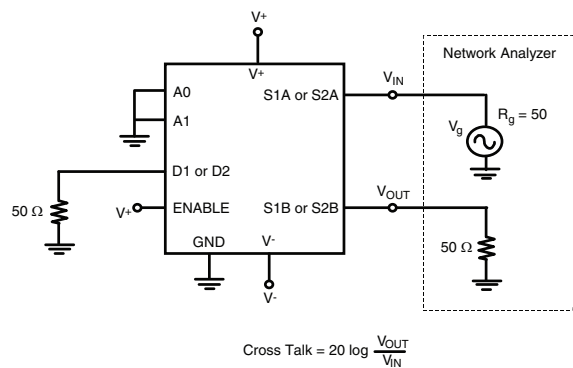


Fig. 6 - Crosstalk

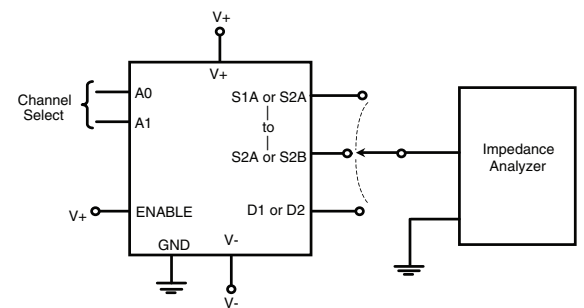
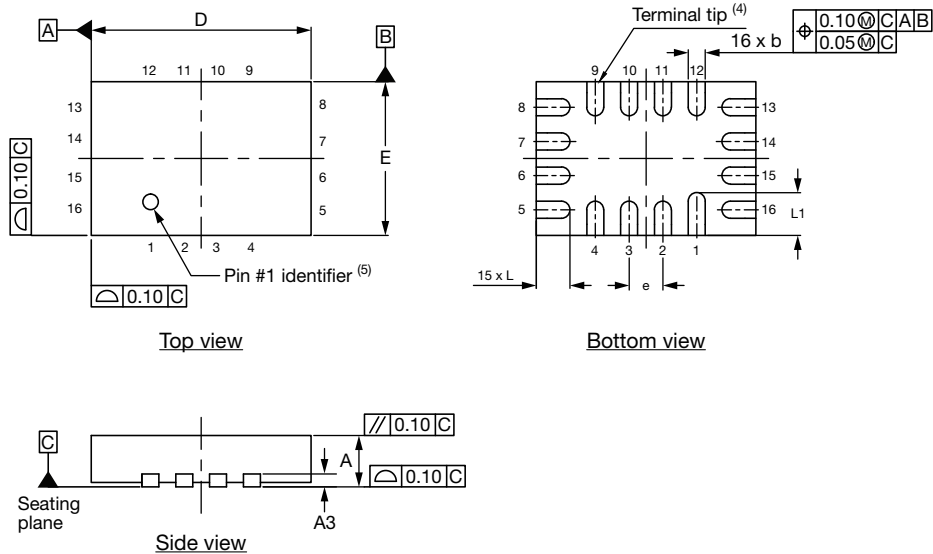


Fig. 8 - Source/Drain Capacitance

Vishay Siliconix maintains worldwide manufacturing capability. Products may be manufactured at one of several qualified locations. Reliability data for Silicon Technology and Package Reliability represent a composite of all qualified locations. For related documents such as package/tape drawings, part marking, and reliability data, see [www.vishay.com/ppg?69901](http://www.vishay.com/ppg?69901).

### Thin miniQFN16 Case Outline



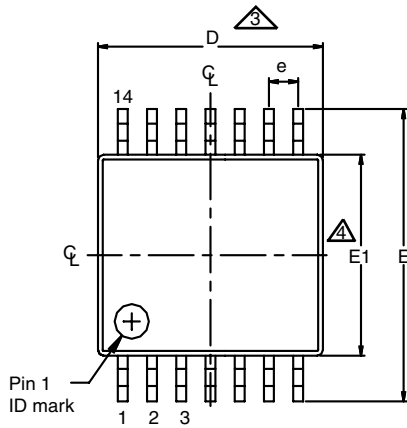
DIMENSIONS	MILLIMETERS <sup>(1)</sup>			INCHES		
	MIN.	NOM.	MAX.	MIN.	NOM.	MAX.
A	0.50	0.55	0.60	0.020	0.022	0.024
A1	0	-	0.05	0	-	0.002
A3	0.15 ref.			0.006 ref.		
b	0.15	0.20	0.25	0.006	0.008	0.010
D	2.50	2.60	2.70	0.098	0.102	0.106
e	0.40 BSC			0.016 BSC		
E	1.70	1.80	1.90	0.067	0.071	0.075
L	0.35	0.40	0.45	0.014	0.016	0.018
L1	0.45	0.50	0.55	0.018	0.020	0.022
N <sup>(3)</sup>	16			16		
Nd <sup>(3)</sup>	4			4		
Ne <sup>(3)</sup>	4			4		

#### Notes

- (1) Use millimeters as the primary measurement.
- (2) Dimensioning and tolerances conform to ASME Y14.5M. - 1994.
- (3) N is the number of terminals. Nd and Ne is the number of terminals in each D and E site respectively.
- (4) Dimensions b applies to plated terminal and is measured between 0.15 mm and 0.30 mm from terminal tip.
- (5) The pin 1 identifier must be existed on the top surface of the package by using identification mark or other feature of package body.
- (6) Package warpage max. 0.05 mm.

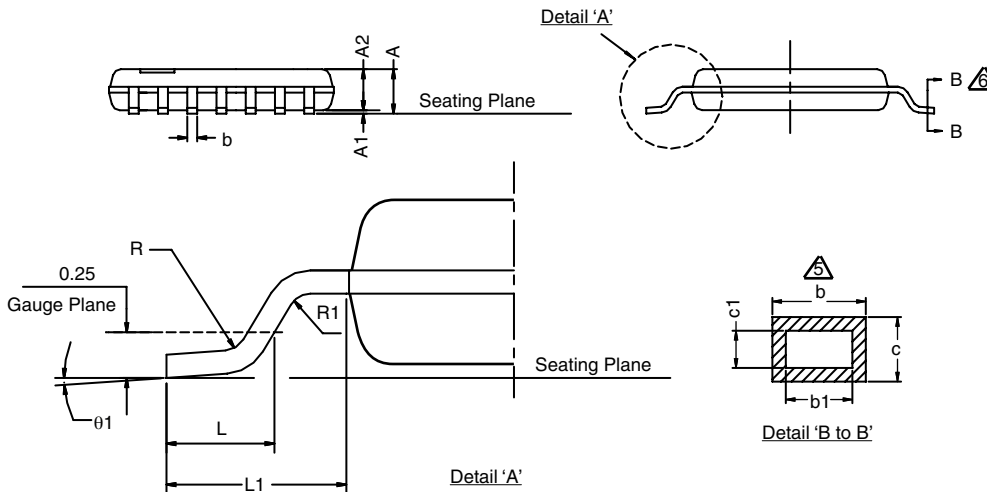
ECN: T16-0226-Rev. B, 09-May-16  
 DWG: 6023

### 14L TSSOP



**Notes:**

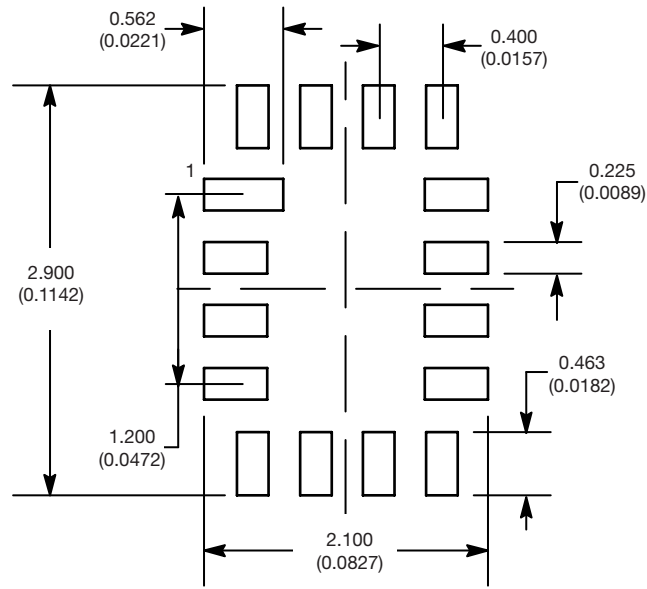
1. All dimensions are in millimeters (angles in degrees)
2. Dimensioning and tolerancing per ANSI Y14.5M-1982
- ⚠ Dimension 'D' does not include mold flash, protrusions or gate burrs
- ⚠ Dimension 'E1' does not include internal flash or protrusion
- ⚠ Dimension 'b' does not include dambar protrusion
- ⚠ Cross section B to B to be determined at 0.10 mm to 0.25 mm from the lead tip



SYMBOL	MINIMUM	NOMINAL	MAXIMUM
A	-	-	1.20
A1	0.05	-	0.15
A2	0.80	0.90	1.05
D	4.9	5.0	5.1
E1	4.3	4.4	4.5
E	6.2	6.4	6.6
L	0.45	0.60	0.75
R	0.09	-	-
R1	0.09	-	-
b	0.19	-	0.30
b1	0.19	0.22	0.25
c	0.09	-	0.20
c1	0.09	-	0.16
θ1	0°	-	8°
L1		1.0 ref.	
e		0.65 BSC	

ECN: T-07766-Rev. A, 14-Jan-08  
DWG: 5962

**RECOMMENDED MINIMUM PADS FOR MINI QFN 16L**



Mounting Footprint  
Dimensions in mm (inch)



## **Disclaimer**

ALL PRODUCT, PRODUCT SPECIFICATIONS AND DATA ARE SUBJECT TO CHANGE WITHOUT NOTICE TO IMPROVE RELIABILITY, FUNCTION OR DESIGN OR OTHERWISE.

Vishay Intertechnology, Inc., its affiliates, agents, and employees, and all persons acting on its or their behalf (collectively, "Vishay"), disclaim any and all liability for any errors, inaccuracies or incompleteness contained in any datasheet or in any other disclosure relating to any product.

Vishay makes no warranty, representation or guarantee regarding the suitability of the products for any particular purpose or the continuing production of any product. To the maximum extent permitted by applicable law, Vishay disclaims (i) any and all liability arising out of the application or use of any product, (ii) any and all liability, including without limitation special, consequential or incidental damages, and (iii) any and all implied warranties, including warranties of fitness for particular purpose, non-infringement and merchantability.

Statements regarding the suitability of products for certain types of applications are based on Vishay's knowledge of typical requirements that are often placed on Vishay products in generic applications. Such statements are not binding statements about the suitability of products for a particular application. It is the customer's responsibility to validate that a particular product with the properties described in the product specification is suitable for use in a particular application. Parameters provided in datasheets and / or specifications may vary in different applications and performance may vary over time. All operating parameters, including typical parameters, must be validated for each customer application by the customer's technical experts. Product specifications do not expand or otherwise modify Vishay's terms and conditions of purchase, including but not limited to the warranty expressed therein.

Except as expressly indicated in writing, Vishay products are not designed for use in medical, life-saving, or life-sustaining applications or for any other application in which the failure of the Vishay product could result in personal injury or death. Customers using or selling Vishay products not expressly indicated for use in such applications do so at their own risk. Please contact authorized Vishay personnel to obtain written terms and conditions regarding products designed for such applications.

No license, express or implied, by estoppel or otherwise, to any intellectual property rights is granted by this document or by any conduct of Vishay. Product names and markings noted herein may be trademarks of their respective owners.