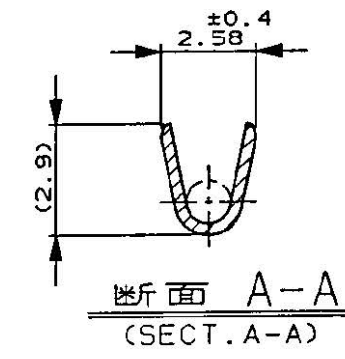
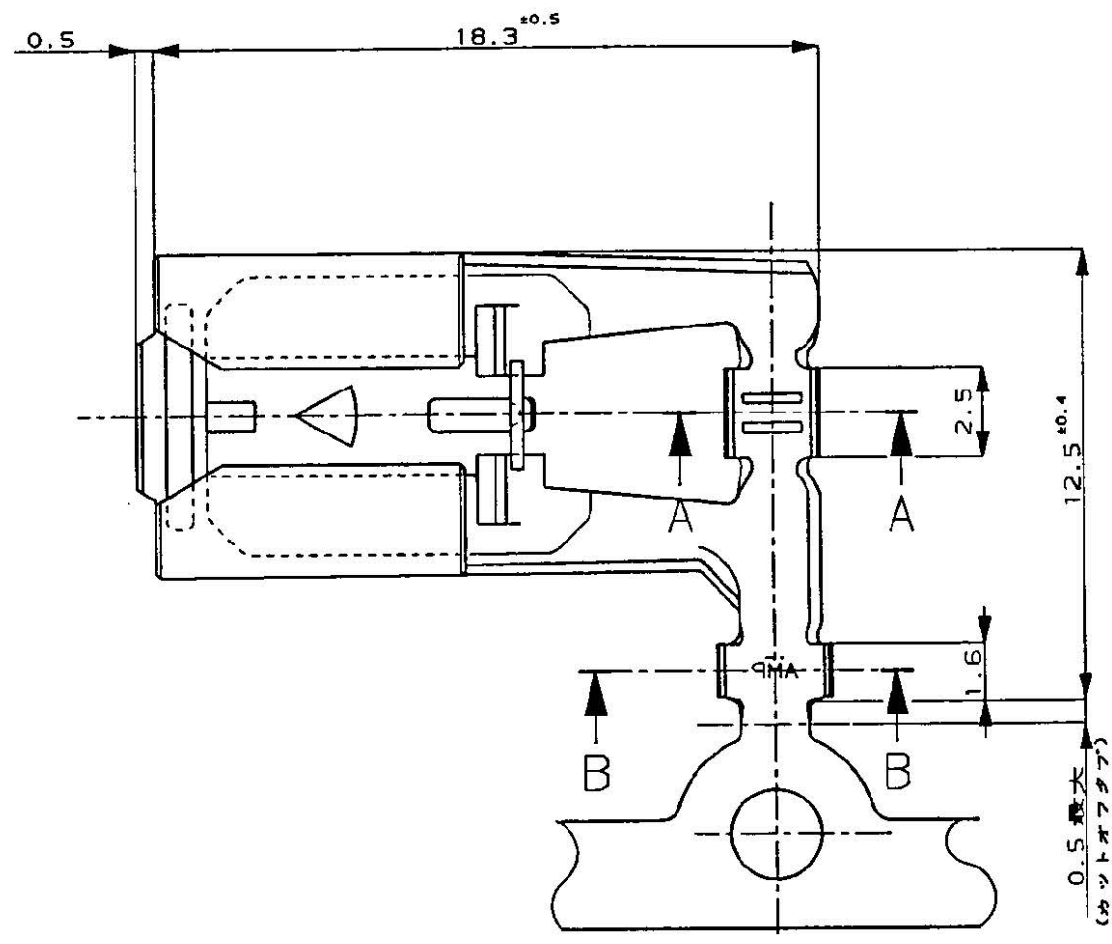
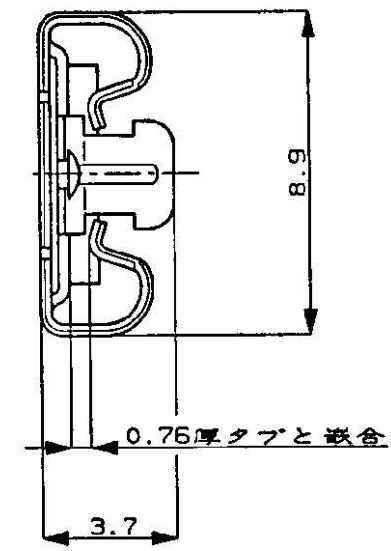


NUMBER C-900319

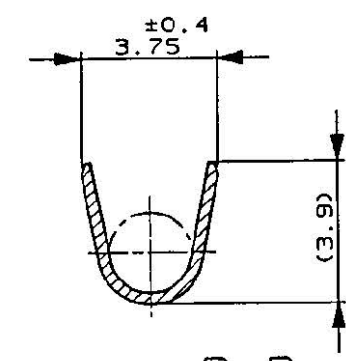
METRIC

三角度 (3rd ANGLE PROJECTION)

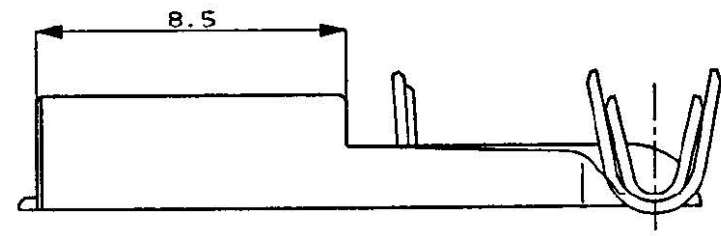
PRINT DIST
単位・寸法 DIMENSIONS IN MM. DO NOT SCALE PRINT



断面 A-A
(SECT. A-A)



断面 B-B
(SECT. B-B)



- NOTE,
1. THE MATING PLUG HOUSING PART NUMBER; 172615
 2. PRODUCT SPEC. No. 108-5131
 3. APPLICATION SPEC. No. 114-5220

PRE-TIN	COPPER ALLOY	900319-2
PRE-TIN	BRASS	900319-1
FINISH	MATERIAL	P/N

Copyright ©1995 株式会社		Copyright ©1995 AMP (Japan), LTD. ALL RIGHTS RESERVED.		STE TE Connectivity	
配合電線範囲 (WIRE RANGE) 0.5-0.85 mm ² (AWG20-18)		絶縁外皮 (INSULATION DIA.) 1.6-2.3 mmφ		名称 (NAME) .312 シリーズ ポジティブロックリセプタクル 旗型 Lタイプ FLAG L-TYPE	
材料 (MATERIAL) SEE TABLE		仕上 (FINISH) SEE TABLE		一般公差 (GENERAL TOLERANCE) 10以下: ±0.2 10以上 30以下: ±0.25 30以上 100以下: ±0.3 角度: ±3°	
A	REVISED (ECR-17-000819)	K.S.T.D	03MAR 2017	DR. <i>[Signature]</i> 12/20/95	DE. <i>[Signature]</i> 12/20/95
Q	作成 (FJ00-3350-95)	<i>[Signature]</i>	12/20/95	CHK. <i>[Signature]</i> 12/20/95	APP. <i>[Signature]</i> 12/20/95
LTR	変更 (REVISION RECORD)	DR	CHK	DATE	REV. A SHEET 1 OF 1

Mouser Electronics

Authorized Distributor

Click to View Pricing, Inventory, Delivery & Lifecycle Information:

[TE Connectivity:](#)

[900319-1](#) [900319-1 \(Mouser Reel\)](#)