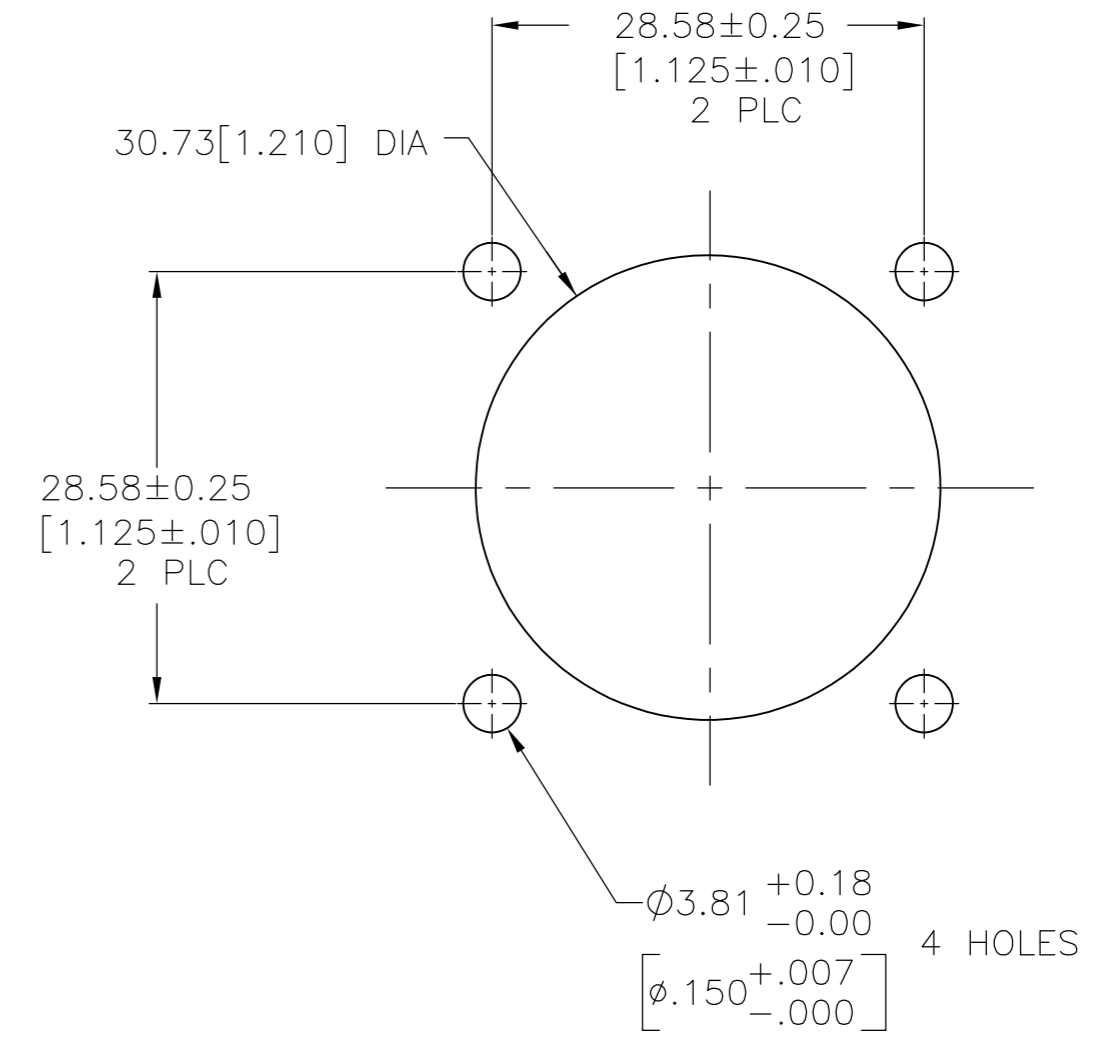
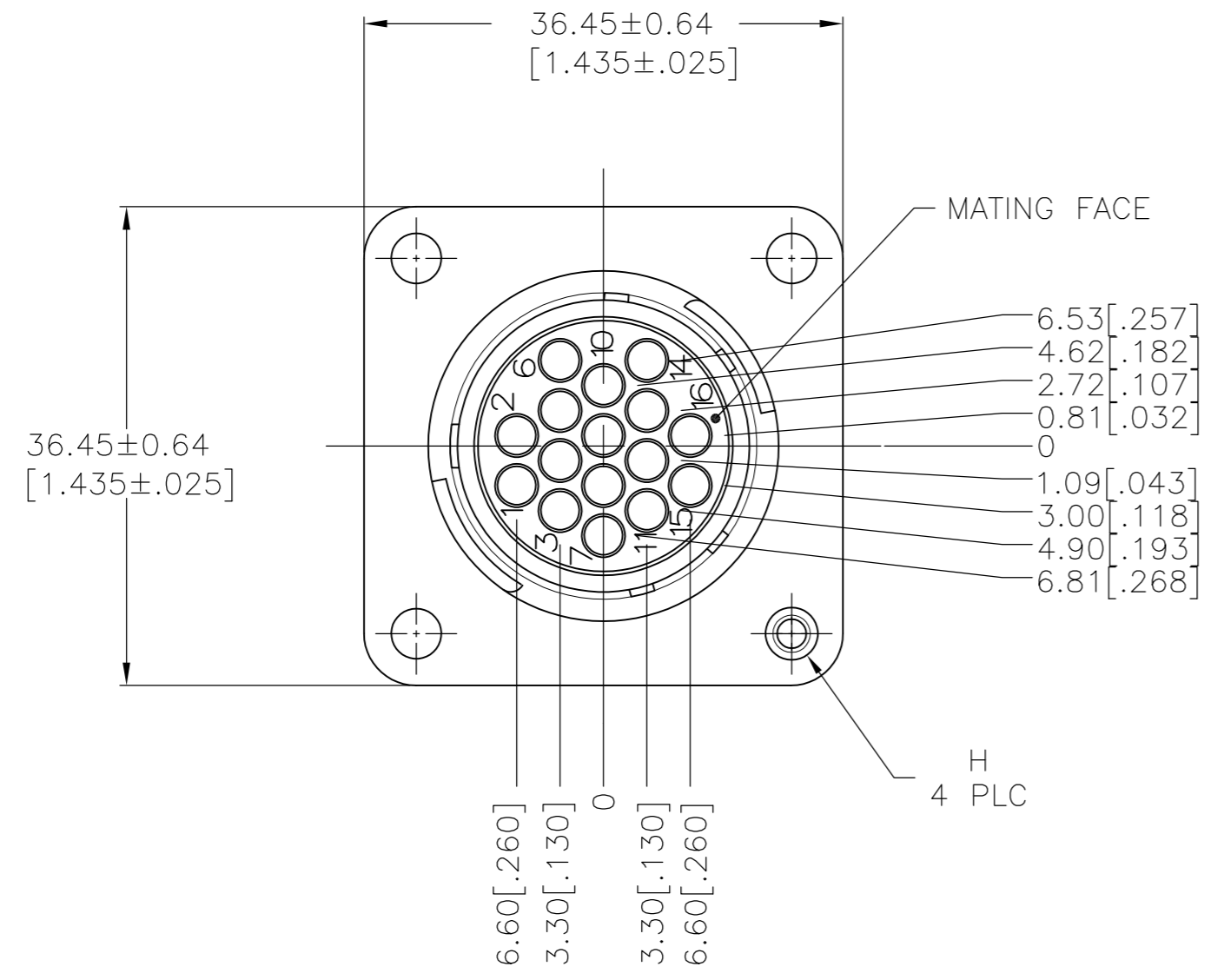
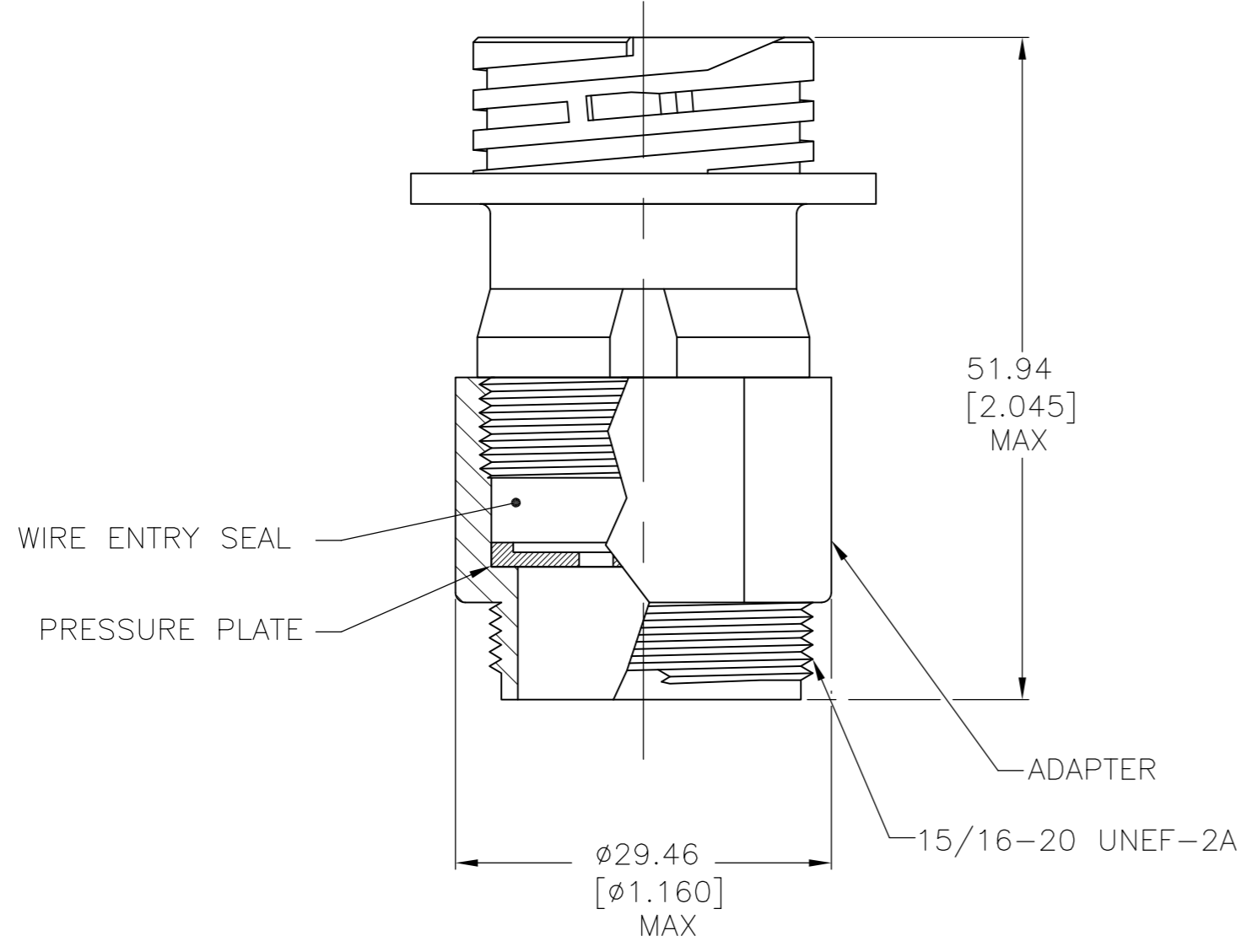


THIS DRAWING IS UNPUBLISHED. RELEASED FOR PUBLICATION
 © COPYRIGHT - By - ALL RIGHTS RESERVED.

REVISIONS					
P	LTR	DESCRIPTION	DATE	DWN	APVD
C		REVISED PER 0G3B-0092-05	1/27/05	SS	HW
D		REVISED PER ECO-16-006378	03NOV2016	RS	MZ
E		REVISED PER ECR-16-016563	07DEC2016	RS	MZ



RECOMMENDED PANEL CUTOUT



- 1 HOUSING, ADAPTER AND PRESSURE PLATE: NYLON, BLACK.
 WIRE ENTRY SEAL: ELASTOMER, SEE TABLE.
 PERIPHERAL SEAL: ELASTOMER, GREY.
- 2 CONNECTOR WILL ACCEPT (16) MULTIMATE PIN CONTACTS.

OBSELETE	W/ 4-40 THREADED INSERT	RED-IRON OXIDE	.065 - .100	STANDARD	-796275-3-
	3.18±0.07 [.150±.003]	YELLOW	.040 - .080	SMALL	796275-2
	3.18±0.07 [.150±.003]	RED-IRON OXIDE	.065 - .100	STANDARD	796275-1
	H	SEAL COLOR	WIRE INSULATION DIAMETER RANGE	INSULATION	PART NUMBER

THIS DRAWING IS A CONTROLLED DOCUMENT.

DWN L. McEACHIN 27-JAN-2000
 CHK K. DOWHWOWER 27-JAN-2000
 APVD K. DOWHWOWER 27-JAN-2000

TE TE Connectivity

NAME ASSEMBLY, RECEPTACLE, STANDARD SEX, 17-16, STANDARD OR SMALL INSULATION DIA., SEALED

DIMENSIONS: mm [INCHES] TOLERANCES UNLESS OTHERWISE SPECIFIED:

0 PLC	± -
1 PLC	± -
2 PLC	± -
3 PLC	± -
4 PLC	± -
ANGLES	± -

PRODUCT SPEC - APPLICATION SPEC -

MATERIAL 1 FINISH - WEIGHT -

SCALE 2:1 SHEET 1 OF 1 REV E

CUSTOMER DRAWING

SIZE A2 CAGE CODE 00779 C=796275 RESTRICTED TO -

Mouser Electronics

Authorized Distributor

Click to View Pricing, Inventory, Delivery & Lifecycle Information:

[TE Connectivity:](#)

[796275-1](#)