

NOTES:

- MATERIALS:  
HOUSING - LIQUID CRYSTAL POLYMER (LCP)  
GLASS FILLED, UL94V-0, BLACK  
SIGNAL PIN AND SHIELD - COPPER ALLOY
- FINISHES:  
CONTACT AREA - SELECTIVE GOLD (Au)  
PCB TAILS - SELECTIVE MATTE TIN (Sn)
- THIS PART CONFORMS TO MOLEX PRODUCT SPECIFICATION PS-74031-999.
- FOR MIXED CONTACT LENGTH CONTACT MOLEX FOR AVAILABILITY.
- FOR SPECIFIC MATERIAL NUMBERS AND MATING INFORMATION REFER TO SHEET 2.
- PACKAGE PER PK-74058-003.
- ASSEMBLY WILL BE MARKED WITH P/N AND DATE CODE WITH LASER MARK ON SIDE OF HOUSING
- MAPS (MOLEX ADVANCED PLATING SYSTEM).

THE PRIMARY CARTON WITH A LABEL STATING "ELV AND RoHS COMPLAINT" IS LEAD FREE. CARTONS WITHOUT THIS LABEL MAY CONTAIN LEAD.

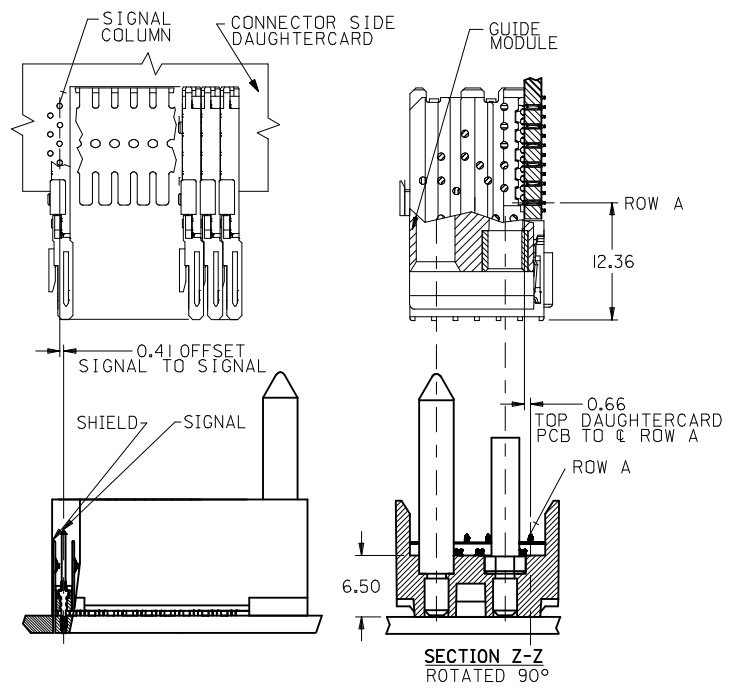
LEAD FREE CONVERSION EC NO: UCP2013-0687 2012/08/22 DRAWINGS CHYK:HMOLFE 2012/11/27 APPR:SMILLER 2012/12/14	QUALITY SYMBOLS ▽=0 ▽=0 ▽=0	GENERAL TOLERANCES (UNLESS SPECIFIED)		DIMENSION STYLE <b>MM ONLY</b>		SCALE <b>3:1</b>	DESIGN UNITS <b>METRIC</b>	THIRD ANGLE PROJECTION
		mm	INCH	DRAWN BY JJONIAK	DATE 2008/07/09	TITLE <b>VHDM H-SERIES 6 ROW BACKPLANE SHIELD END</b>		
REV	DESCRIPTION	4 PLACES	± ---	± ---	CHECKED BY JJONIAK	DATE 2008/07/09	<b>molex</b>	DOCUMENT NO. <b>SD-76762-001</b>
		3 PLACES	± ---	± ---	APPROVED BY SMILLER	DATE 2010/03/09		
		2 PLACES	± 0.25	± ---	MATERIAL NO. <b>SEE SHT.2</b>			
		1 PLACE	± 0.38	± ---	DRAFT WHERE APPLICABLE MUST REMAIN WITHIN DIMENSIONS			
		0 PLACE	± ---	± ---	SIZE <b>C</b>			
THIS DRAWING CONTAINS INFORMATION THAT IS PROPRIETARY TO MOLEX INCORPORATED AND SHOULD NOT BE USED WITHOUT WRITTEN PERMISSION								

76762 - \* \* \* \*

M/N 76762-( )	-**0*	-**1*	-**2*	-**3*	-**4*	-**5*	-**6*	-**7*	-**8*
KEYING PIN ORIENTATION	O	A	B	C	D	E	F	G	H

NUMBER OF COLUMNS/PLATING  
 10 = 10 COLUMN MATTE TIN (FORMERLY TIN/LEAD)  
 25 = 25 COLUMN MATTE TIN (FORMERLY TIN/LEAD)  
 60 = 10 COLUMN MATTE TIN (MAPS)  
 75 = 25 COLUMN MATTE TIN (MAPS)  
 90 = 10 COLUMN MATTE TIN  
 85 = 25 COLUMN MATTE TIN

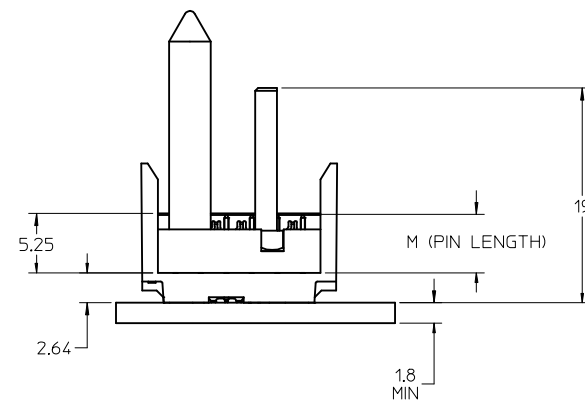
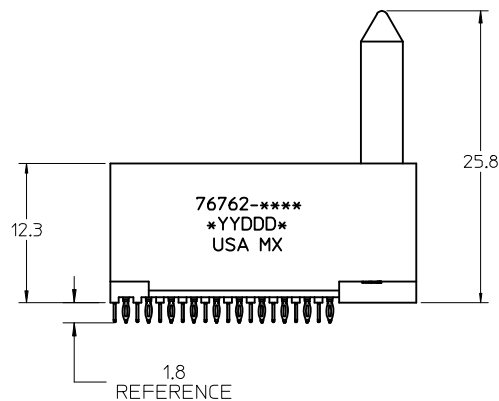
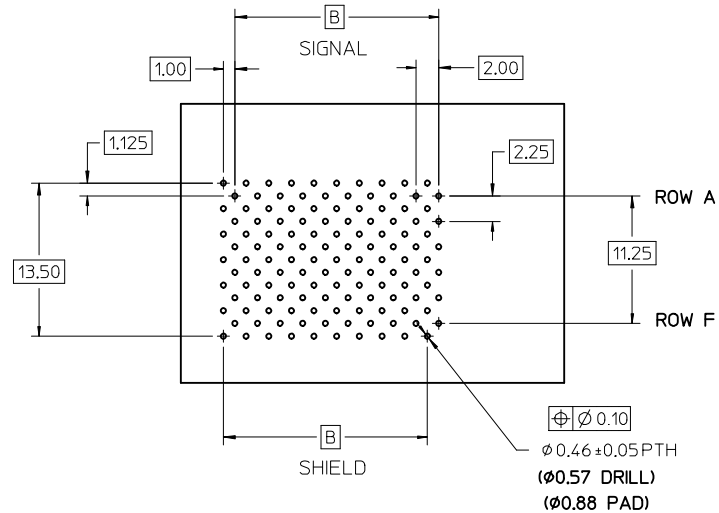
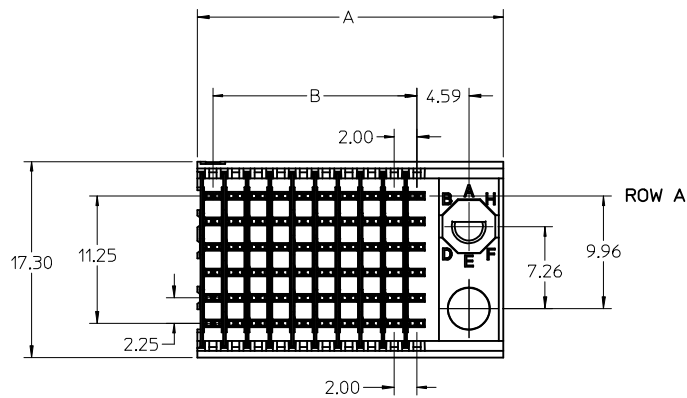
CONTACT LOAD  
 (PIN HEIGHT)  
 1 & 6 = 4.75  
 2 & 7 = 6.25  
 3 & 8 = 4.25  
 4 & 9 = 5.15



PART NUMBER	COLUMN	NUMBER OF SIGNAL PIN	NUMBER OF SHIELD	A	B	M	GOLD THICKNESS MICROMETER	TIN THICKNESS MICROMETER
<b>76762-60*1</b>	10	60	10	27.00	18.00	4.75	0.25 MAPS	0.76-1.52
76762-*0*1							0.76	
76762-*0*6							1.27	
<b>76762-75*1</b>	25	150	25	57.00	48.00	4.75	0.25 MAPS	
76762-*5*1							0.76	
76762-*5*6							1.27	
<b>76762-60*2</b>	10	60	10	27.00	18.00	6.25	0.25 MAPS	
76762-*0*2							0.76	
76762-*0*7							1.27	
<b>76762-75*2</b>	25	150	25	57.00	48.00	6.25	0.25 MAPS	
76762-*5*2							0.76	
76762-*5*7							1.27	
<b>76762-60*3</b>	10	60	10	27.00	18.00	4.25	0.25 MAPS	
76762-*0*3							0.76	
76762-*0*8							1.27	
<b>76762-75*3</b>	25	150	25	57.00	48.00	4.25	0.25 MAPS	
76762-*5*3							0.76	
76762-*5*8							1.27	
<b>76762-60*4</b>	10	60	10	27.00	18.00	5.15	0.25 MAPS	
76762-*0*4							0.76	
76762-*0*9							1.27	
<b>76762-75*4</b>	25	150	25	57.00	48.00	5.15	0.25 MAPS	
76762-*5*4							0.76	
76762-*5*9							1.27	

SEE SHEET 1 EC NO: UCP2013-0687 DRAWINGS 2012/08/22 CHKD:MWLF 2012/11/27 APPR:SMILLER 2012/12/14	QUALITY SYMBOLS	GENERAL TOLERANCES (UNLESS SPECIFIED)	DIMENSION STYLE <b>MM ONLY</b>	SCALE <b>1:1</b>	DESIGN UNITS <b>METRIC</b>	THIRD ANGLE PROJECTION
	▽=0	mm INCH	DRAWN BY DATE JJONIAK 2008/07/09	TITLE <b>VHDM H-SERIES 6 ROW BACKPLANE SHIELD END</b>	<b>molex</b> SD-76762-001	
	▽=0	4 PLACES ± --- ± ---	CHECKED BY DATE JJONIAK 2008/07/09	APPROVED BY DATE SMILLER 2010/03/09		
	▽=0	3 PLACES ± 0.25 ± ---	ANGULAR ±1/2°	MATERIAL NO.	DOCUMENT NO.	SHEET NO.
	▽=0	2 PLACES ± 0.38 ± ---	DRAFT WHERE APPLICABLE MUST REMAIN WITHIN DIMENSIONS	SEE TABLE	SD-76762-001	2 OF 2

THIS DRAWING CONTAINS INFORMATION THAT IS PROPRIETARY TO MOLEX INCORPORATED AND SHOULD NOT BE USED WITHOUT WRITTEN PERMISSION



THE PRIMARY CARTON WITH A LABEL STATING "ELV AND RoHS COMPLAINT" IS LEAD FREE. CARTONS WITHOUT THIS LABEL MAY CONTAIN LEAD.

- NOTES:
1. MATERIALS:  
HOUSING - LIQUID CRYSTAL POLYMER (LCP)  
GLASS FILLED, UL94V-0, BLACK  
SIGNAL PIN AND SHIELD - COPPER ALLOY
  2. FINISHES:  
CONTACT AREA - SELECTIVE GOLD (Au)  
PCB TAILS - SELECTIVE MATTE TIN (Sn)
  3. THIS PART CONFORMS TO MOLEX PRODUCT SPECIFICATION PS-74031-999.
  4. FOR MIXED CONTACT LENGTH CONTACT MOLEX FOR AVAILABILITY.
  5. FOR SPECIFIC MATERIAL NUMBERS AND MATING INFORMATION REFER TO SHEET 2.
  6. PACKAGE PER PK-74058-003.
  7. ASSEMBLY WILL BE MARKED WITH P/N AND DATE CODE WITH LASER MARK ON SIDE OF HOUSING
  8. MAPS (MOLEX ADVANCED PLATING SYSTEM).

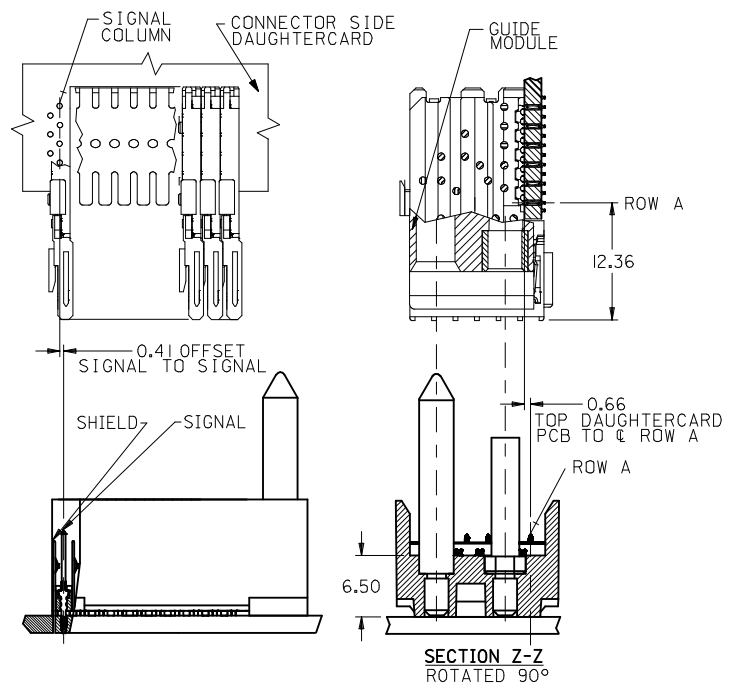
LEAD FREE CONVERSION EC NO: UCP2013-0687 2012/08/22 DRAWINGS CHYKH/MOLFE 2012/11/27 APPR:SMILLER 2012/12/14	QUALITY SYMBOLS ▽=0 ▽=0 ▽=0	GENERAL TOLERANCES (UNLESS SPECIFIED)		DIMENSION STYLE MM ONLY		SCALE 3:1	DESIGN UNITS METRIC	THIRD ANGLE PROJECTION	
		mm	INCH	DRAWN BY JJONIAK	DATE 2008/07/09	TITLE VHDM H-SERIES 6 ROW BACKPLANE SHIELD END <b>molex</b>	MATERIAL NO. SEE SHT.2	DOCUMENT NO. SD-76762-001	SHEET NO. 1 OF 2
REV	DESCRIPTION	DRAFT WHERE APPLICABLE MUST REMAIN WITHIN DIMENSIONS		ANGULAR ±1/2°		THIS DRAWING CONTAINS INFORMATION THAT IS PROPRIETARY TO MOLEX INCORPORATED AND SHOULD NOT BE USED WITHOUT WRITTEN PERMISSION			

76762 - \* \* \* \*

M/N 76762-( )	-**0*	-**1*	-**2*	-**3*	-**4*	-**5*	-**6*	-**7*	-**8*
KEYING PIN ORIENTATION	O	A	B	C	D	E	F	G	H

NUMBER OF COLUMNS/PLATING  
 10 = 10 COLUMN MATTE TIN (FORMERLY TIN/LEAD)  
 25 = 25 COLUMN MATTE TIN (FORMERLY TIN/LEAD)  
 60 = 10 COLUMN MATTE TIN (MAPS)  
 75 = 25 COLUMN MATTE TIN (MAPS)  
 90 = 10 COLUMN MATTE TIN  
 85 = 25 COLUMN MATTE TIN

CONTACT LOAD  
 (PIN HEIGHT)  
 1 & 6 = 4.75  
 2 & 7 = 6.25  
 3 & 8 = 4.25  
 4 & 9 = 5.15



PART NUMBER	COLUMN	NUMBER OF SIGNAL PIN	NUMBER OF SHIELD	A	B	M	GOLD THICKNESS MICROMETER	TIN THICKNESS MICROMETER
<b>76762-60*1</b>	10	60	10	27.00	18.00	4.75	0.25 MAPS	0.76-1.52
76762-*0*1							0.76	
76762-*0*6	1.27							
<b>76762-75*1</b>	25	150	25	57.00	48.00		0.25 MAPS	
76762-*5*1						0.76		
<b>76762-60*2</b>	10	60	10	27.00	18.00	6.25	0.25 MAPS	
76762-*0*2							0.76	
76762-*0*7	1.27							
<b>76762-75*2</b>	25	150	25	57.00	48.00		0.25 MAPS	
76762-*5*2						0.76		
76762-*5*7	1.27							
<b>76762-60*3</b>	10	60	10	27.00	18.00	4.25	0.25 MAPS	
76762-*0*3							0.76	
76762-*0*8	1.27							
<b>76762-75*3</b>	25	150	25	57.00	48.00		0.25 MAPS	
76762-*5*3						0.76		
76762-*5*8	1.27							
<b>76762-60*4</b>	10	60	10	27.00	18.00	5.15	0.25 MAPS	
76762-*0*4							0.76	
76762-*0*9	1.27							
<b>76762-75*4</b>	25	150	25	57.00	48.00		0.25 MAPS	
76762-*5*4						0.76		
76762-*5*9	1.27							

SEE SHEET 1 EC NO: UCP2013-0687 DRAWINGS 2012/08/22 CHKD:MWLF 2012/11/27 APPR:SMILLER 2012/12/14	QUALITY SYMBOLS	GENERAL TOLERANCES (UNLESS SPECIFIED)	DIMENSION STYLE <b>MM ONLY</b>	SCALE <b>1:1</b>	DESIGN UNITS <b>METRIC</b>	THIRD ANGLE PROJECTION
	▽=0	mm INCH	DRAWN BY DATE JJONIAK 2008/07/09	TITLE <b>VHDM H-SERIES 6 ROW BACKPLANE SHIELD END</b>		
	▽=0	4 PLACES ± --- ± ---	CHECKED BY DATE JJONIAK 2008/07/09	<b>molex</b> DOCUMENT NO. <b>SD-76762-001</b> SHEET NO. <b>2 OF 2</b>		
	▽=0	3 PLACES ± 0.25 ± ---	APPROVED BY DATE SMILLER 2010/03/09			
	▽=0	2 PLACES ± 0.38 ± ---	MATERIAL NO. <b>SEE TABLE</b> DRAFT WHERE APPLICABLE MUST REMAIN WITHIN DIMENSIONS			