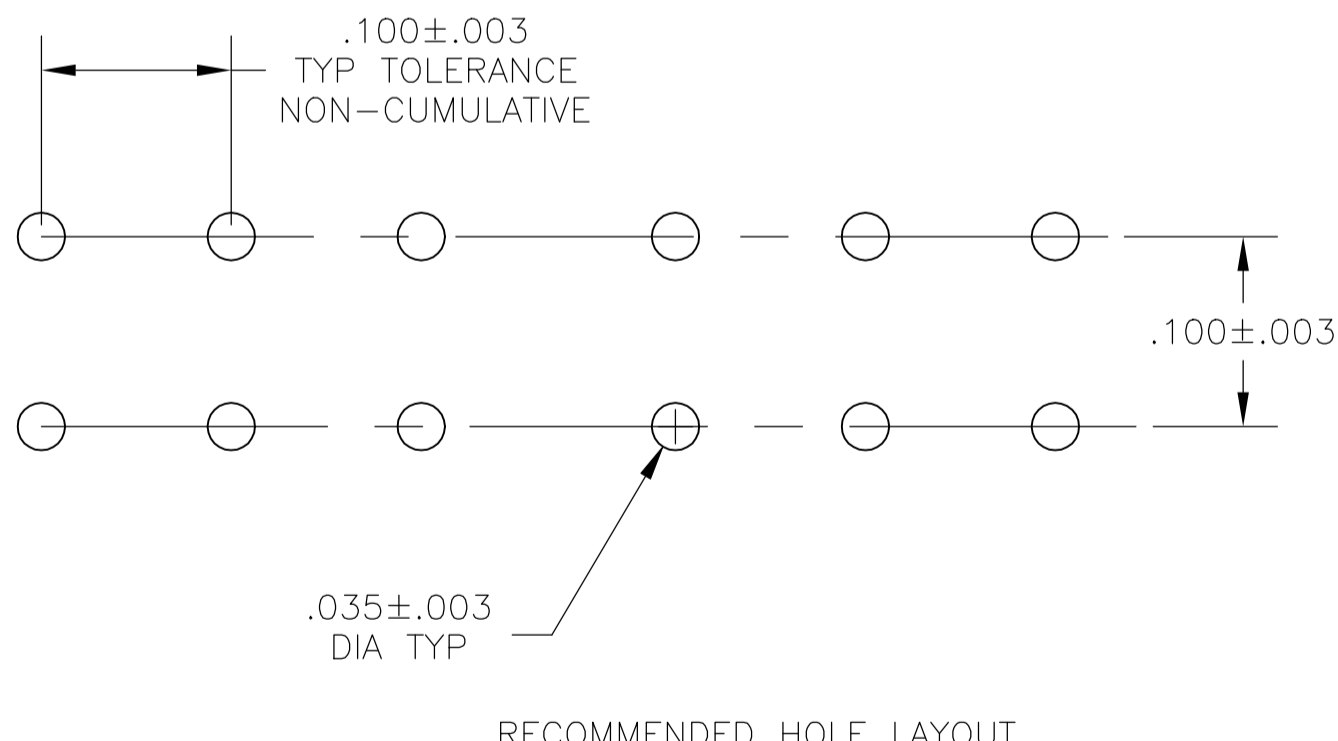
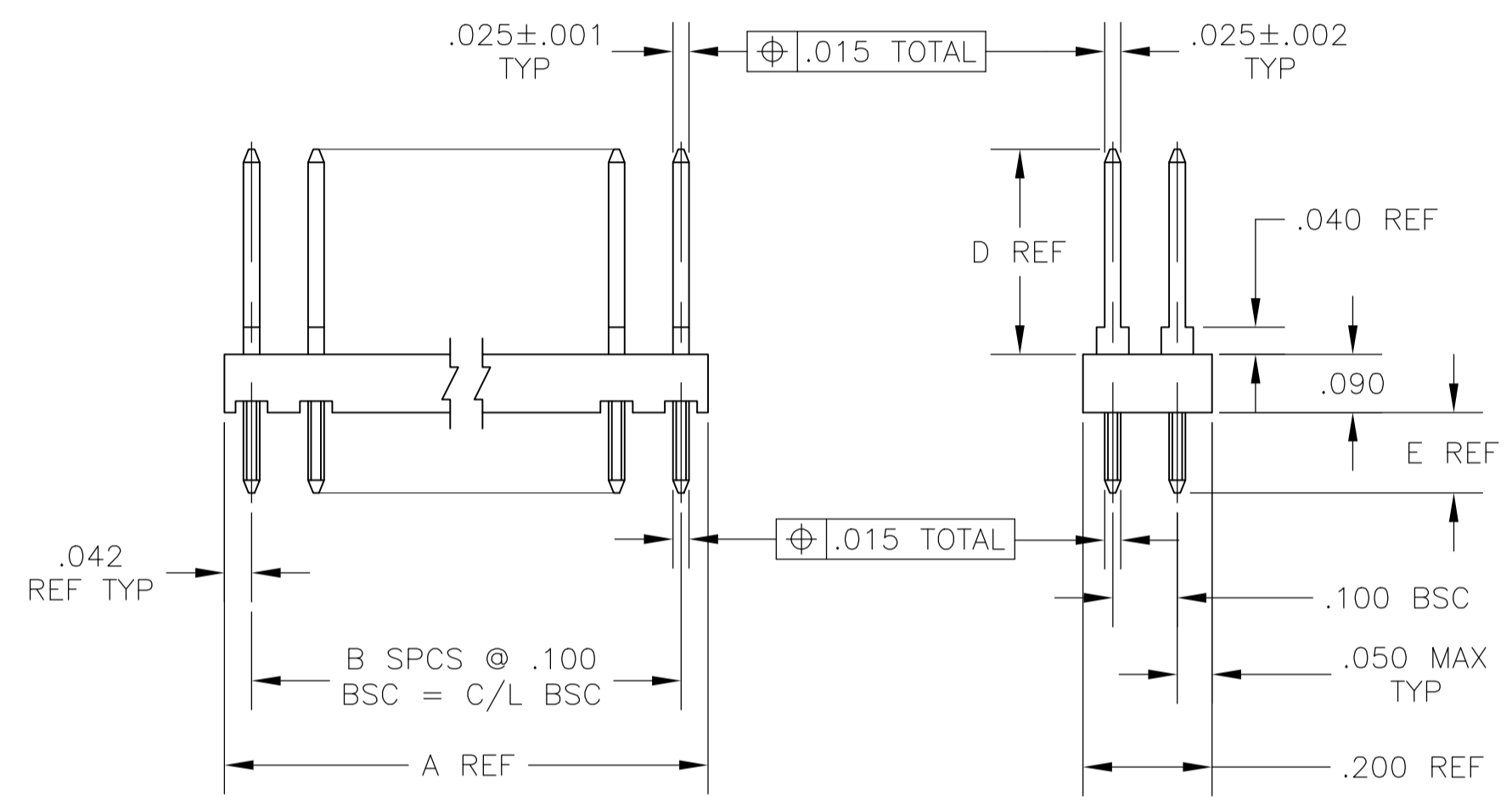


REV	DATE	BY	CHKD	DESCRIPTION
H4	01FEB2018	SD	PS	PART STATUS UPDATED IN PARTS LIST TABLE

NOTES:

- TRUE POSITION TOLERANCE OF POST TIPS APPLIES WHEN HEADERS ARE HELD FLAT AGAINST PRINTED CIRCUIT BOARD.
- OBSOLETE PART NUMBER
- .000100-.000200 BRIGHT TIN OVER .000050-.000100 NICKEL.
- .000100-.000200 BRIGHT TIN-LEAD OVER .000050-.000100 NICKEL.
- PRELIMINARY PART
- .000100-.000200 MATTE TIN OVER .000050 NICKEL.



RECOMMENDED HOLE LAYOUT

SEE SHEET 2 FOR LEAD FREE PART NUMBERS

FINISH	E	D	C	B	A	NO OF POSN	PART NUMBER
5						12	4-87543-3
2						80	4-87543-2
3						40	4-87543-1
4						80	4-87543-0
						78	3-87543-9
						76	3-87543-8
						74	3-87543-7
						72	3-87543-6
						70	3-87543-5
						68	3-87543-4
						66	3-87543-3
						64	3-87543-2
						62	3-87543-1
						60	3-87543-0
						58	2-87543-9
						56	2-87543-8
						54	2-87543-7
						52	2-87543-6
						50	2-87543-5
						48	2-87543-4
						46	2-87543-3
						44	2-87543-2
						42	2-87543-1
						40	2-87543-0
						38	1-87543-9
						36	1-87543-8
						34	1-87543-7
						32	1-87543-6
						30	1-87543-5
						28	1-87543-4
						26	1-87543-3
						24	1-87543-2
						22	1-87543-1
						20	1-87543-0
						18	87543-9
						16	87543-8
						14	87543-7
						12	87543-6
						10	87543-5
						8	87543-4
						6	87543-3
						4	87543-2
4						2	87543-1

THIS DRAWING IS A CONTROLLED DOCUMENT.

DIMENSIONS: INCHES

TOLERANCES UNLESS OTHERWISE SPECIFIED:

0 PLG	± .005
1 PLG	± .005
2 PLG	± .005
3 PLG	± .005
4 PLG	± .005
ANGLES	± .005

MATERIAL: HD-GLOSS FILLED NYLON, COLOR: BLACK, CONTACT: PHOS BRONZE

FINISH: SEE TABLE

APPROVED: M.E. PASTEL, T.C. CLARK, T.C. CLARK

DATE: 20 NOV 87

NAME: T.C. CLARK

APPLICATION SPEC: ASSEMBLY, MOD II, HEADER, DOUBLE ROW, .100X.100

SIZE: A1

CAGE CODE: 00779

DRAWING NO: 87543

RESTRICTED TO: CUSTOMER DRAWING

SCALE: 4:1

SHEET: 1 OF 2

REV: H4

THIS DRAWING IS UNPUBLISHED. RELEASED FOR PUBLICATION
 COPYRIGHT - By - ALL RIGHTS RESERVED.

REVISIONS					
NO	LYR	DESCRIPTION	DATE	DWN	APVD
-	-	SEE SHEET 1	-	-	-

△6	.125	.318	3.900	39	3.984	80	9-87543-0
	.125	.318	3.800	38	3.884	78	8-87543-9
	.125	.318	3.700	37	3.784	76	8-87543-8
	.125	.318	3.600	36	3.684	74	8-87543-7
	.125	.318	3.500	35	3.584	72	8-87543-6
	.125	.318	3.400	34	3.484	70	8-87543-5
	.125	.318	3.300	33	3.384	68	8-87543-4
	.125	.318	3.200	32	3.284	66	8-87543-3
	.125	.318	3.100	31	3.184	64	8-87543-2
	.125	.318	3.000	30	3.084	62	8-87543-1
	.125	.318	2.900	29	2.984	60	8-87543-0
	.125	.318	2.800	28	2.884	58	7-87543-9
	.125	.318	2.700	27	2.784	56	7-87543-8
	.125	.318	2.600	26	2.684	54	7-87543-7
	.125	.318	2.500	25	2.584	52	7-87543-6
	.125	.318	2.400	24	2.484	50	7-87543-5
	.125	.318	2.300	23	2.384	48	7-87543-4
	.125	.318	2.200	22	2.284	46	7-87543-3
	.125	.318	2.100	21	2.184	44	7-87543-2
	.125	.318	2.000	20	2.084	42	7-87543-1
	.125	.318	1.900	19	1.984	40	7-87543-0
	.125	.318	1.800	18	1.884	38	6-87543-9
	.125	.318	1.700	17	1.784	36	6-87543-8
	.125	.318	1.600	16	1.684	34	6-87543-7
	.125	.318	1.500	15	1.584	32	6-87543-6
	.125	.318	1.400	14	1.484	30	6-87543-5
	.125	.318	1.300	13	1.384	28	6-87543-4
	.125	.318	1.200	12	1.284	26	6-87543-3
	.125	.318	1.100	11	1.184	24	6-87543-2
	.125	.318	1.000	10	1.084	22	6-87543-1
	.125	.318	.900	9	.984	20	6-87543-0
	.125	.318	.800	8	.884	18	5-87543-9
	.125	.318	.700	7	.784	16	5-87543-8
	.125	.318	.600	6	.684	14	5-87543-7
	.125	.318	.500	5	.584	12	5-87543-6
	.125	.318	.400	4	.484	10	5-87543-5
	.125	.318	.300	3	.384	8	5-87543-4
	.125	.318	.200	2	.284	6	5-87543-3
	.125	.318	.100	1	.184	4	5-87543-2
△6	.125	.318	-	-	.084	2	5-87543-1
FINISH	E	D	C	B	A	NO OF POSN	PART NUMBER

THIS DRAWING IS A CONTROLLED DOCUMENT. DIM: M.E.PASTEL 20 NOV 87
 CHK: T.C. CLARK 20 NOV 87
 APVD: T.C. CLARK 20 NOV 87 NAME: ASSEMBLY, MOD II, HEADER, DOUBLE ROW, .100X.100

STE TE Connectivity Ltd.

TOLERANCES UNLESS OTHERWISE SPECIFIED:
 0 PLC ± -
 1 PLC ± -
 2 PLC ± -
 3 PLC ± -
 4 PLC ± -
 ANGLES ± -

FINISH SEE TABLE

MATERIAL: H50-GLASS FILLED NYLON
 COLOR: BLACK
 CONTACT: PHOS BRONZE

SIZE: A1 CAGE CODE: 00779 DRAWING NO: 87543
 WEIGHT: -
 SCALE: 4:1 SHEET 2 OF 2 REV H4

CUSTOMER DRAWING

Mouser Electronics

Authorized Distributor

Click to View Pricing, Inventory, Delivery & Lifecycle Information:

[TE Connectivity:](#)

[9-87543-0](#)