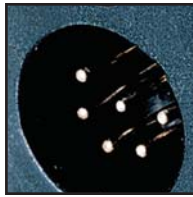


# XLR Receptacles



Smallest available flange mounted XLR receptacle.



Available in 3-6 pin contact arrangements.



Female connector available exclusively without latch.

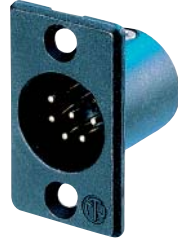


All plastic one piece shell male and female use same cutout.

## P Series



NC4FP-1



NC6MP-B

## PP Series



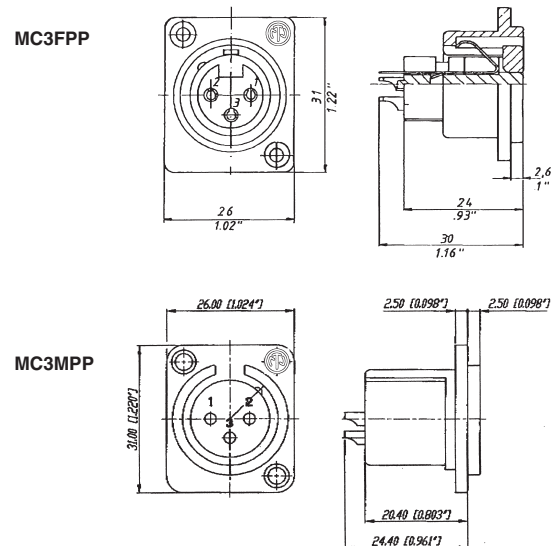
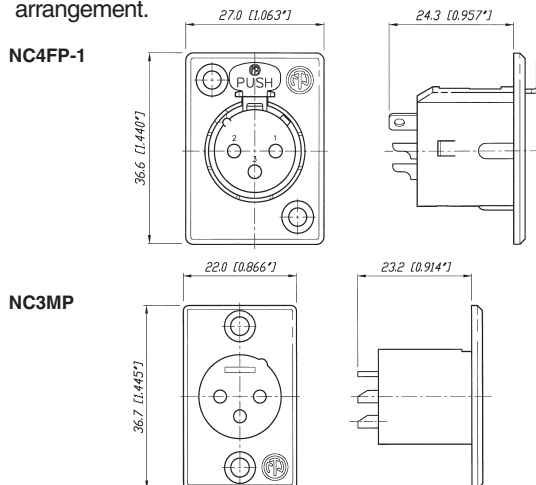
NC3FPP



NC3MPP

- Male and female available in 3-6 pin configurations; 7 pin versions available in female only.
- Smallest available hard wiring receptacles with large solder cups.
- Male and female use different mounting hole dimensions and do not fit in same mounting hole.
- Front mountable only.
- One piece version – insert is NOT removable from shell.
- Short female receptacle.
- Compatible with Switchcraft DxM, DxP; Cannon XLRx31, XLRx32.
- 6 pole version available with Switchcraft contact arrangement.

- Male and female available in 3 pin solder cup configurations.
- Female receptacle is latchless.
- Shell is all plastic.
- Male and female mount in same hole cutout.
- Cost effective.
- Accessories include dust covers (SCDF/M) and color coding (DSS-color).
- Can be converted from solder to PCB mount using optional PPCB-H or PPCB-V adapters.



# XLR Receptacles — Technical Data

Specifications			A Series	AA Series	B Series	BA Series	D Series	DL1 Series	DS Series	DLX Series	DLX Crimp
<b>Electrical</b>											
Number of contacts:			3-5	3	3-5	3	3	3-7	3	3-7	3
Contact Resistance: male/female: $\leq 3\text{ m}\Omega/\leq 5\text{ m}\Omega$			●	$\leq 8\text{ m}\Omega$	●	●	●	●	●	●	●
Insulation Resistance: Initial: $> 2\text{ G}\Omega$			●	●	●	●	●	●	●	●	●
After damp heat test: $> 1\text{ G}\Omega$			●	●	●	●	●	●	●	●	●
Dielectric Strength: 1500 V dc			●	●	●	●	●	●	●	●	●
Rated voltage: 50 V ac			●	●	●	●	●	●	●	●	●
Rated current per contact											
3 pole: 16 A			6 A	6 A	6 A	6 A	6 A	●	10 A	●	1 A
4 pole: 10 A			4 A	—	4 A	—	—	●	—	●	—
5, 6 pole: 7.5A			3 A	—	3 A	—	—	●	—	●	—
7 pole: 5 A			—	—	—	—	—	●	—	●	—
Capacitance between contacts											
3 pole: $\leq 7\text{ pF}$			●	●	●	●	$\leq 4\text{ pF}$	$\leq 4\text{ pF}$	$\leq 4\text{ pF}$	$\leq 4\text{ pF}$	$\leq 4\text{ pF}$
4, 5, 6 pole: $\leq 7\text{ pF}$			●	—	●	—	—	●	—	●	—
7 pole: $\leq 9\text{ pF}$			—	—	—	—	—	●	—	●	—
<b>Mechanical</b>											
Lifetime $> 1'000$ insertion / withdrawal cycles			●	●	●	●	●	●	●	●	●
Insertion/withdrawal force $\leq 20$ Newtons (N)			●	●	●	●	●	●	$\leq 30/\geq 10$	●	●
Retention method: standard: latch lock			●	●	●	●	●	●	●	●	●
latchless "O" Version: $\geq 20\text{ N}$ separating force			●	●	●	●	●	●	—	●	●
Termination Type: Solder Terminals			—	—	—	—	—	●	—	●	●
PC Board Mount			●	●	●	●	●	—	—	—	●
IDC			●	—	●	—	—	—	—	—	●
Screw Terminals			—	—	—	—	—	—	●	—	●
<b>Materials</b>											
Shell: Zinc diecast (ZnAl4Cu1)			—	—	—	—	●	●	—	●	●
(gal Ni or black Cr)			—	—	—	—	●	●	●	●	●
Insert: Polyamide PA 6.6 30% GR			●	●	●	●	●	●	●	●	●
Ring: Zinc diecast (ZnAl4Cu1)			—	—	●	●	—	—	—	—	—
Contacts female 3 pole: Bronze (CuSn6)			●	●	●	●	●	●	●	●	●
female 4 - 7 pole: Brass (CuZn39Pb3)			●	●	●	●	●	●	—	●	—
all male: Brass (CuZn39Pb3)			●	●	●	●	●	●	—	●	●
Contact surface:											
Gold: gal 0.2 $\mu\text{m}$ AuCo over 2 $\mu\text{m}$ NiP15 (Tribor®)			●	●	●	●	—	—	—	—	—
Gold: gal 0.2 $\mu\text{m}$ Au hard alloy over 2 $\mu\text{m}$ Ni			—	—	—	—	●	●	●	●	●
Silver: gal 2 $\mu\text{m}$ Ag			—	—	—	—	●	●	—	●	●
Latch lock & spring: Ck 67 steel, treated			●	●	●	●	●	●	●	●	●
<b>Environmental</b>											
Operating temperature: $-30^\circ\text{C}$ to $+80^\circ\text{C}$			●	●	●	●	●	●	●	●	●
Flammability: UL 94 HB			●	●	●	●	●	●	●	●	●
UL 94 V-0			3 pole	—	3 pole	—	—	—	—	—	—
Protection class: IP 40			●	●	●	●	●	●	●	●	●
Solderability complies with IEC 68-2-20			●	●	●	●	●	●	—	●	●
Mounting screw:			A-Screw	A-Screw	1	A-Screw	—	—	—	—	—
Color coding:			ACR -*	—	—	ACR -*	DSS	DSS	DSS	DSS	DSS

1 ..... B Series 3 pole connectors: B-Screw-1-8; 4 & 5 pole versions: A-Screw-1-8



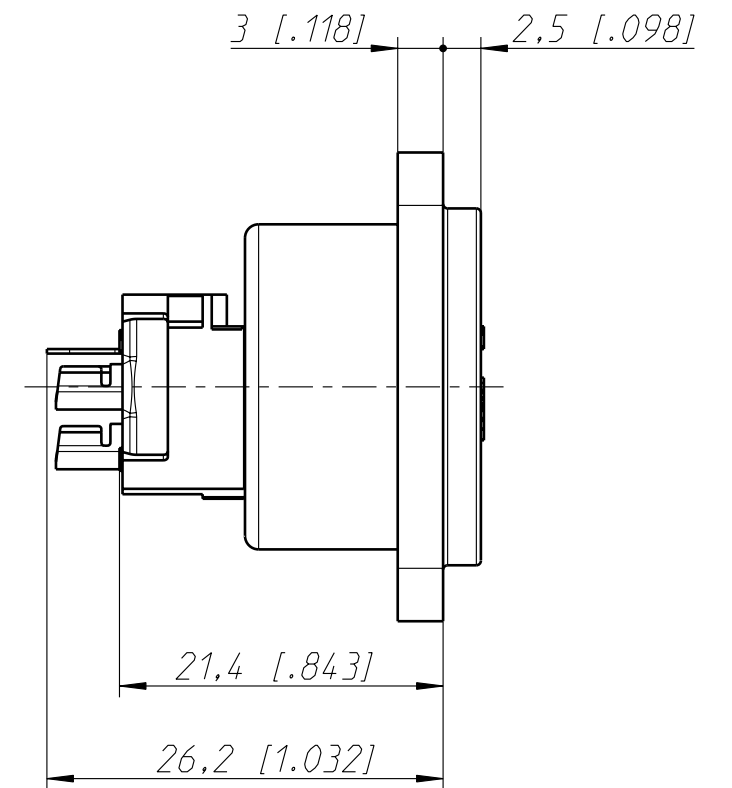
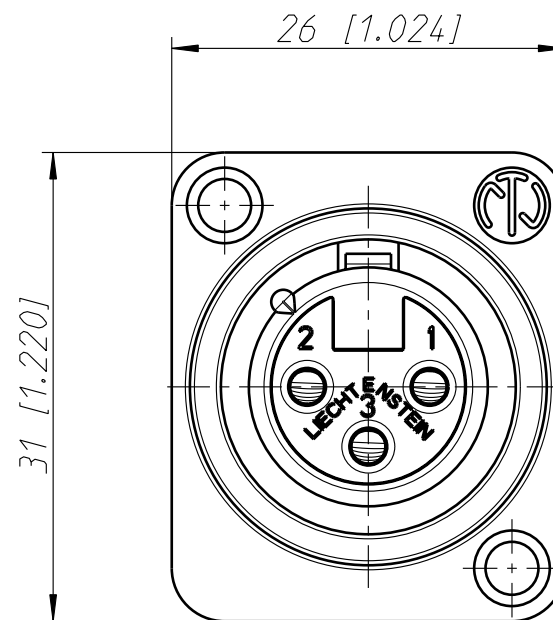
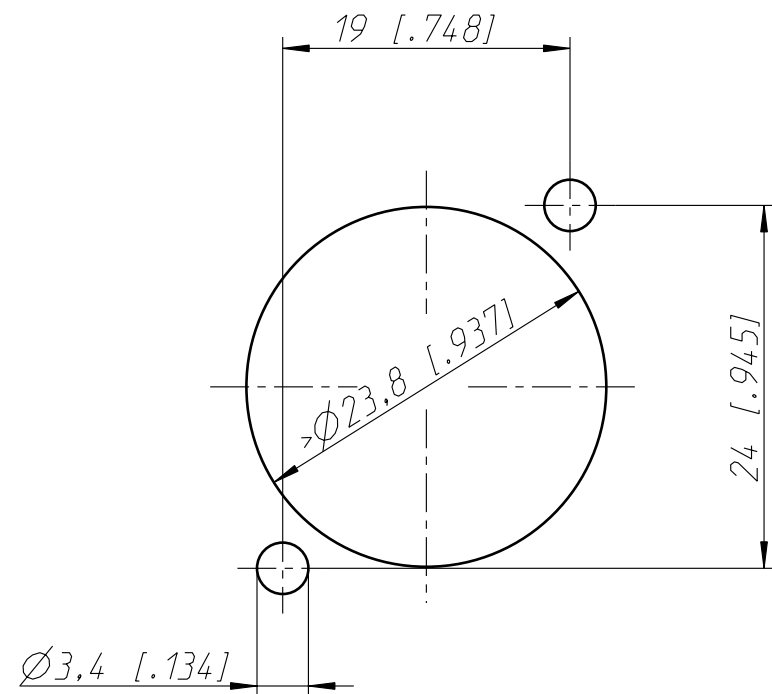
# XLR Receptacles — Technical Data

Specifications			DM3 Series	MPR-HD Series	NC3FIP (not pictured)	P Series	PP Series	Combo Series	Combo A Series
<b>Electrical</b>									
Number of contacts:			4 – 5	3 – 5	3	3 – 7 (6**)	3	5 – 10	3/3
Contact Resistance:		≤ 5 GΩ	●	●	≤ 6 mΩ	●	●	≤ 10 mΩ	≤ 10 mΩ
Insulation Resistance:	Initial:	> 2 GΩ	●	●	●	●	●	●	●
	After damp heat test:	> 1 GΩ	●	●	●	●	●	> 0.5 GΩ	●
Dielectric Strength:		1500 V dc	●	●	●	●	●	●	●
Rated voltage:		50 V ac	●	●	●	●	●	●	●
Rated current per contact	3 pole:	16 A	—	●	●	●	●	—	3 A
	4 pole:	6 A	10 A	10 A	—	10 A	—	—	—
	5, 6 pole:	3 A	7.5 A	7.5 A	—	7.5 A	—	—	—
	7 pole:	5 A	—	—	—	●	—	—	—
	Combo XLR + Jack contacts	7.5 A	—	—	—	—	—	●	●
Capacitance between contacts									
	3 pole:	≤ 7 pF	—	≤ 4 pF	●	≤ 4 pF	●	> 2 pF	> 2 pF
	4, 5, 6 pole:	≤ 7 pF	●	●	—	●	—	—	—
	7 pole:	≤ 9 pF	—	—	—	●	—	—	—
<b>Mechanical</b>									
Lifetime > 1,000 insertion / withdrawal cycles			●	●	●	●	●	●	●
Insertion/withdrawal force		≤ 20 Newtons (N)	●	●	●	●	●	● 25 N	●
Retention method:	standard:	latch lock	●	●	—	●	—	●(XLR)	●(XLR)
	Latchless "O" Version:	≥ 20 N separating force	—	●	● >10 N	●	●	● 25 N	● 25 N
Termination Type:		Solder Terminals	—	●	—	●	●	●	●
		PC Board Mount	●	—	●	—	—	●	●
<b>Materials</b>									
Shell:	Zinc diecast	(ZnAl4Cu1)	●	●	—	●	—	—	—
		(gal Ni or black Cr)	●	Ni plated	—	●	—	—	—
Insert:	Polyamide	PA 6.6 30% GR	●	●	●	●	●	●	●
Ring:	Zinc diecast	(ZnAl4Cu1)	—	—	—	—	—	—	—
Contacts	female	3 pole:	Bronze (CuSn6)	—	—	●	●	●	●
	female	4 - 7 pole:	Brass (CuZn39Pb3)	●	—	—	—	—	—
	all male:	Brass (CuZn39Pb3)	●	●	—	●	●	—	—
Contact surface:									
	Gold:	gal 0.2 μm AuCo over 2 μm NiP15 (Tribor®)	—	—	—	—	—	●	●
	Gold:	gal 0.2 μm Au hard alloy over 2 μm Ni	●	●	●	●	●	—	—
	Silver:	gal 2 μm Ag	●	—	—	●	—	—	—
Latch lock & spring:		Ck 67 steel, treated	●	—	●	●	●	●	●
<b>Environmental</b>									
Operating temperature:		-30° C to +80° C	●	●	●	●	●	●	●
Flammability:		UL 94 HB	●	●	●	●	●	●	●
		UL 94 V-0	—	—	—	—	—	—	—
Protection class:		IP 40	●	IP 65	—	●	●	●	●
Solderability complies with IEC 68-2-20			●	●	●	●	●	●	●
Mounting screw:			M3	—	—	—	—	A-Screw	A-Screw
Color coding:			●	—	—	—	●	—	—

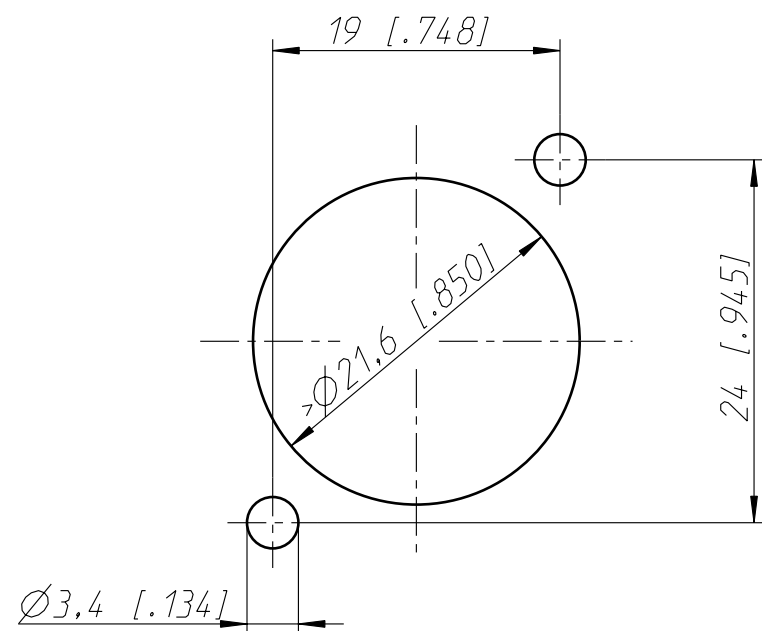
\*\*..... P Series male 3 – 6 pole



Frontplattenausschnitt (Montage von hinten)  
 Panel cut out (Panel-mounting option rear side)



Frontplattenausschnitt (Montage von vorne)  
 Panel cut out (Panel-mounting option front side)



Allgemeintoleranzen ISO 2768-m	Werkstoff -	Massstab: 2:1 (A3)	Datum	Name
			Gezeichnet	20.04.88
Zeichnung urheberrechtlich geschuetzt (DIN 34) (C)	-	-	Freigegeben	-
			Geaendert	30.10.06
Benennung NC3FPP NC3FPP			Aend.-Nr. -	Aend.-Index C
			Ersatz fuer: 3102St1201	Blatt 1 von 1 Bl.
NEUTRIK AG FL-9494 SCHAAN			Zeichn. Nr. ST-NC3FPP	

# Mouser Electronics

Authorized Distributor

Click to View Pricing, Inventory, Delivery & Lifecycle Information:

[Neutrik:](#)

[NC3MPP](#)