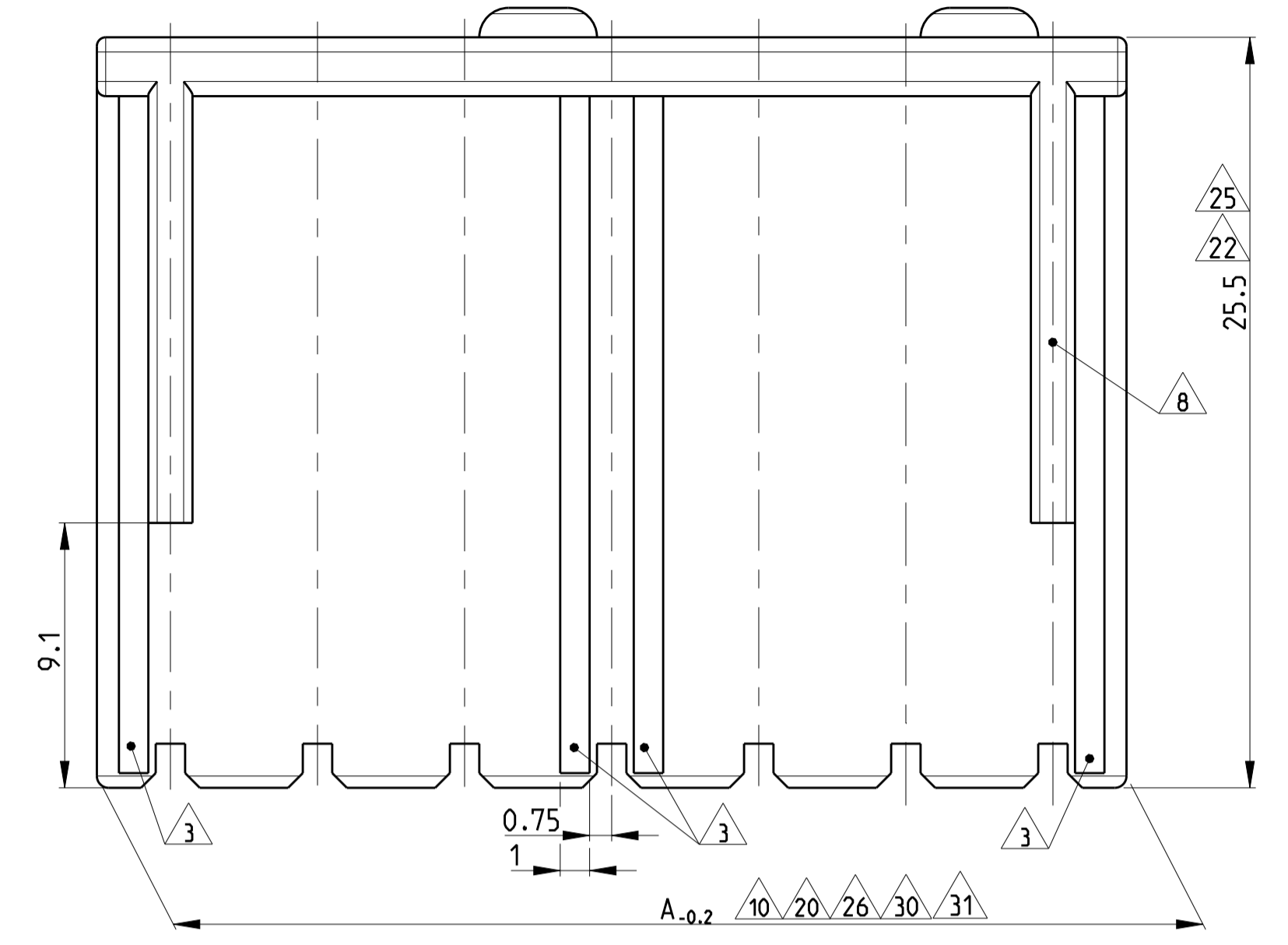
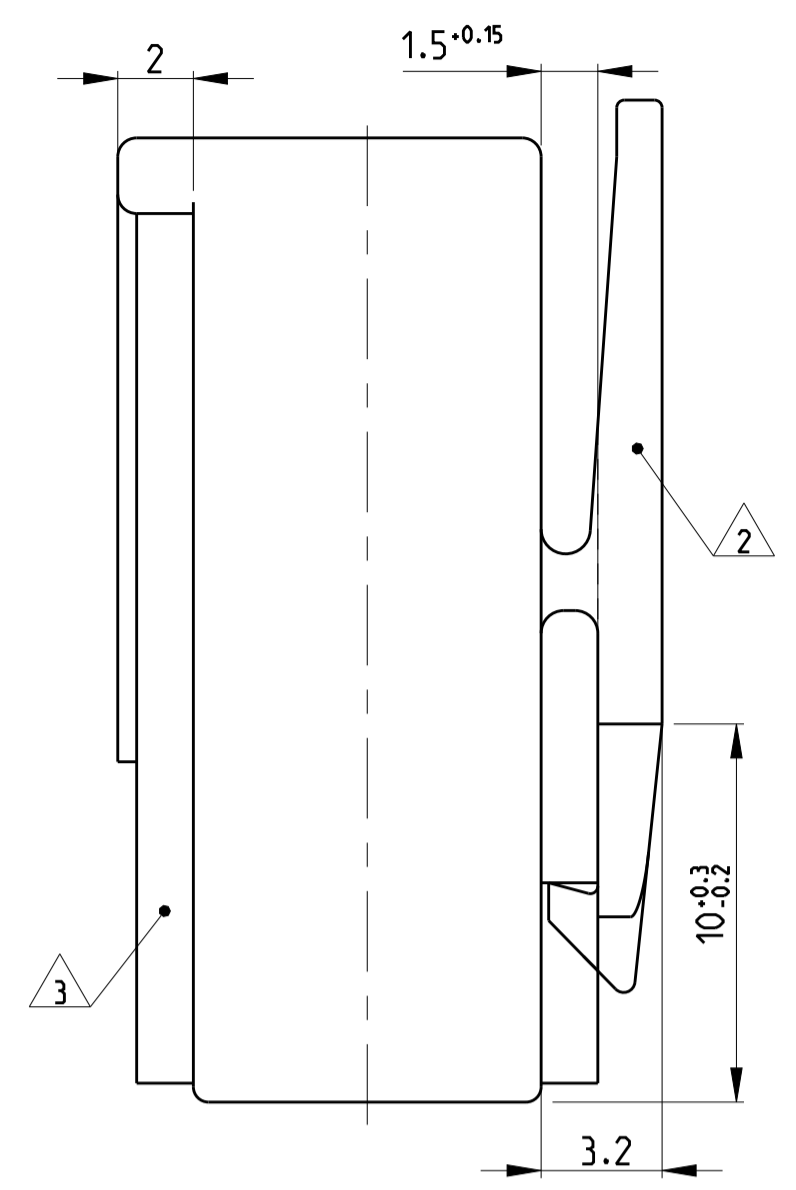
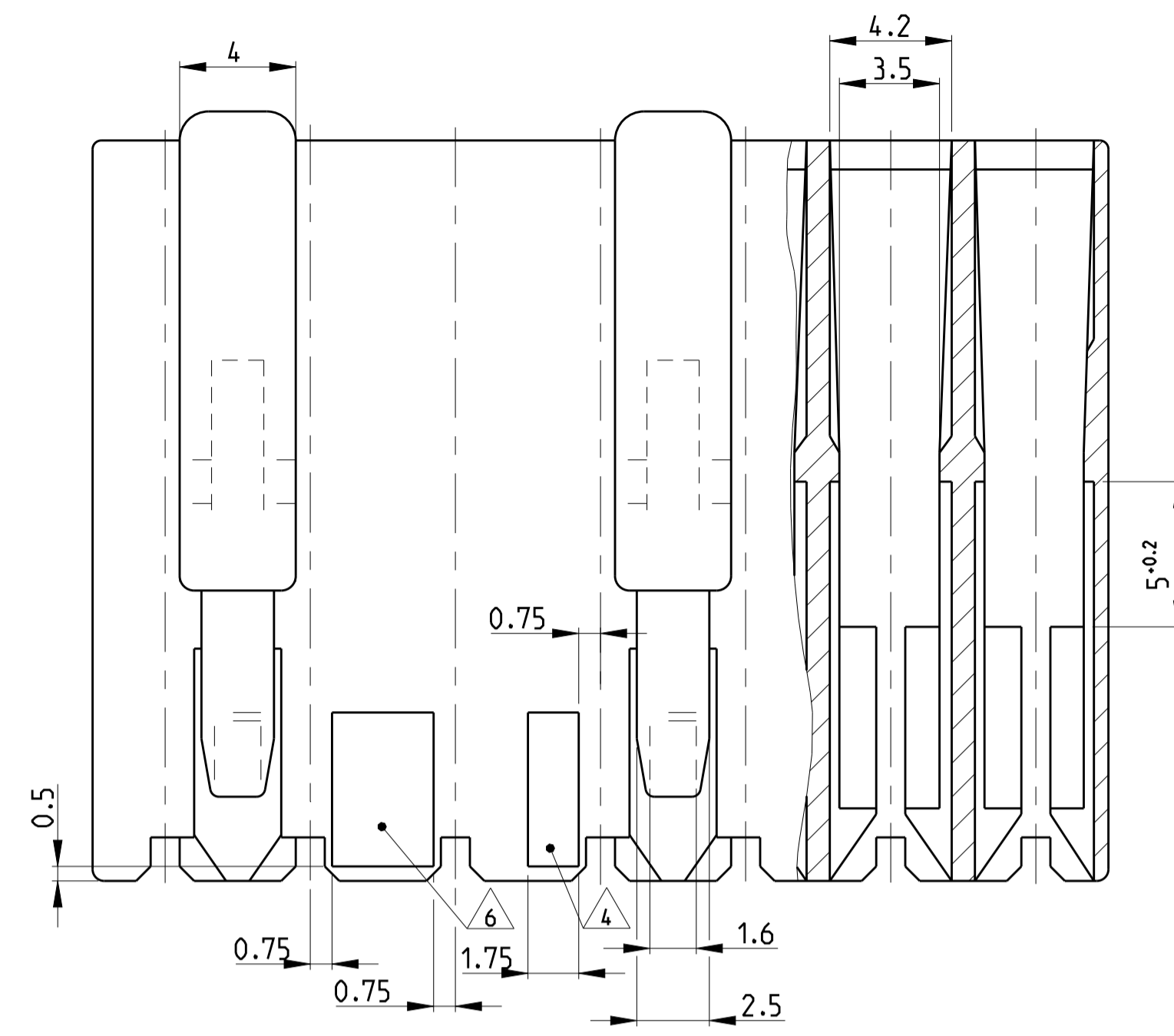
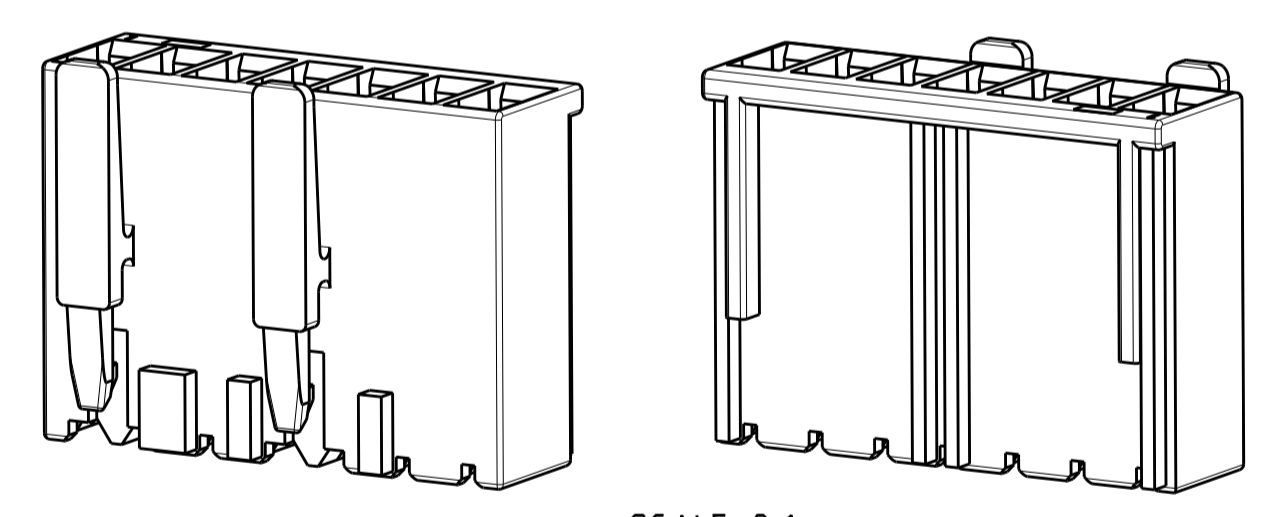
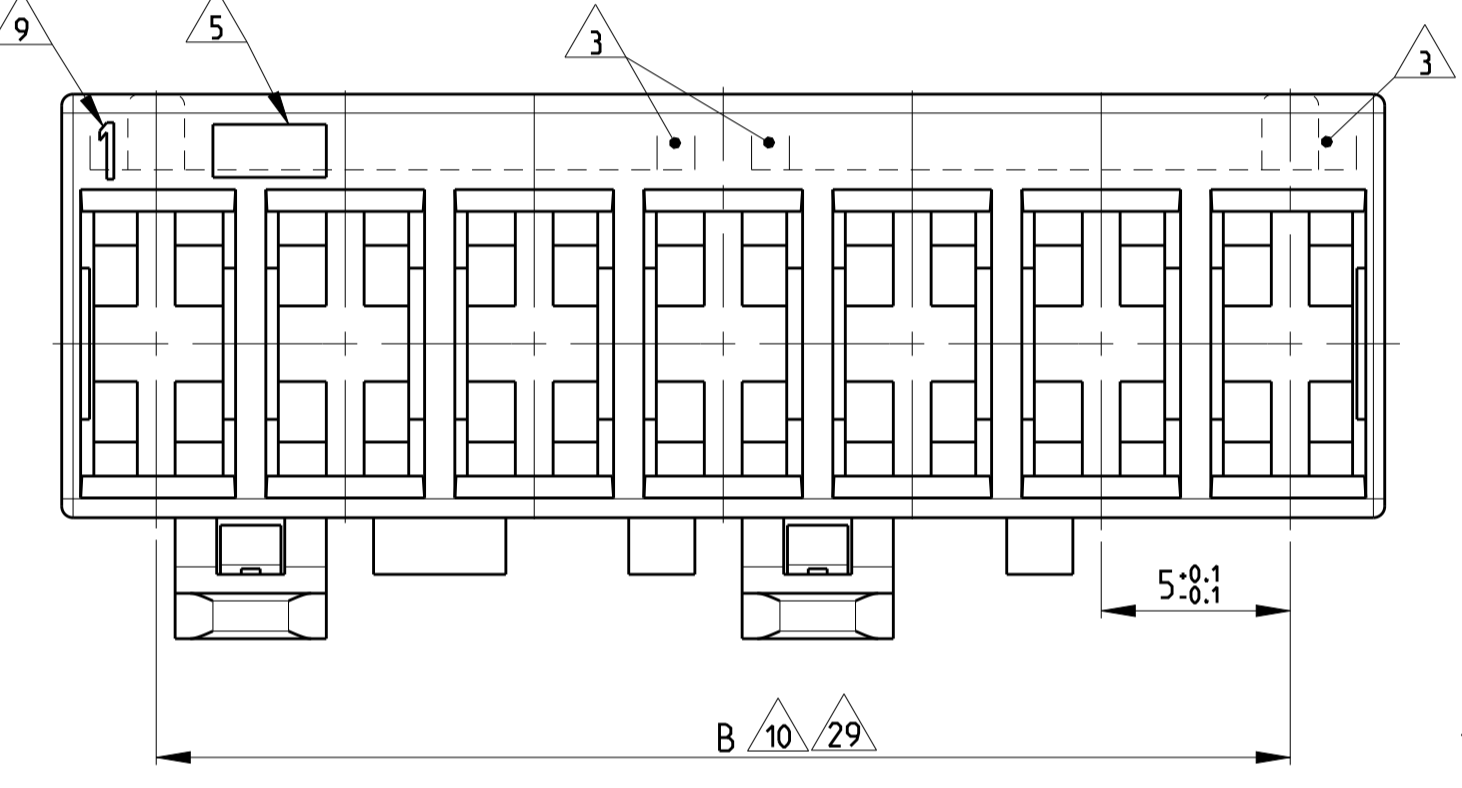
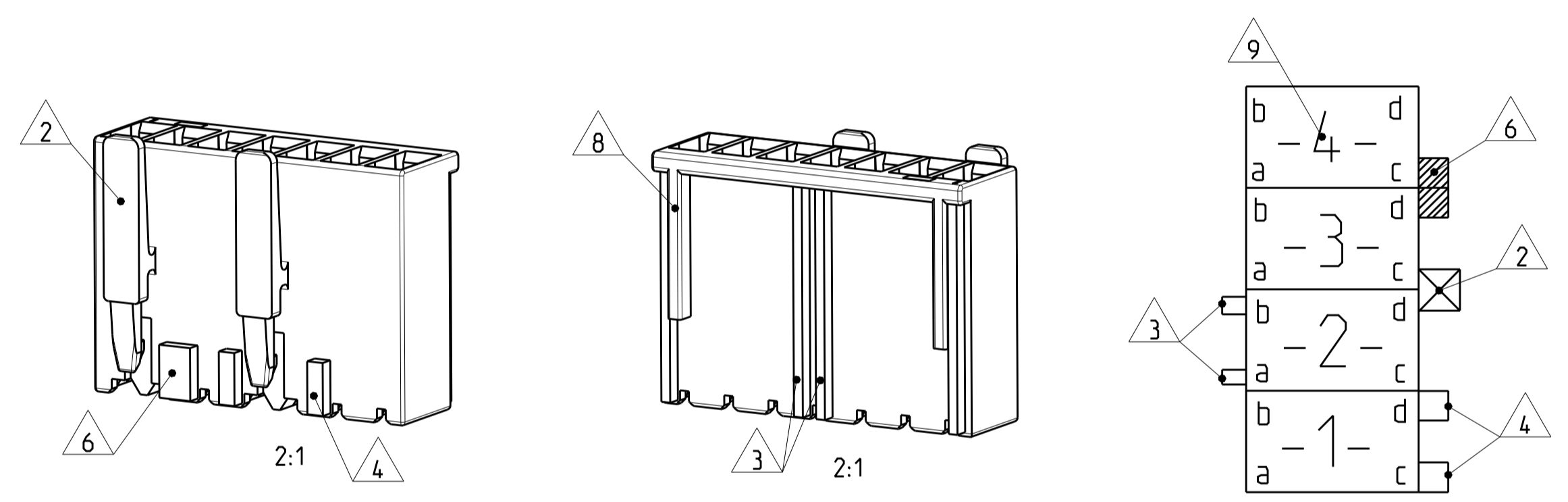


LOC		DIST		REVISIONS			
A1	-	P	LTR	DESCRIPTION	DATE	DWN	APVD
B32	ECR-17-007060				31MAY2017	IZ	RR
B33	ECR-17-010698				26JUL2017	LZ	RR
B34	ECR-17-015079				12OC12017	LZ	RR
B35	ECR-17-017720				05DEC2017	KD	RR

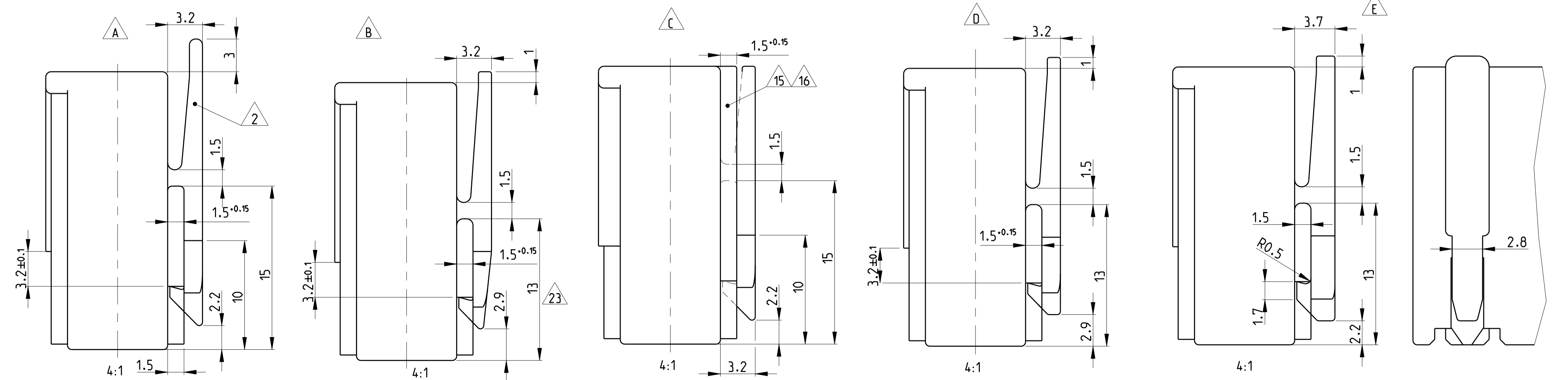


DESCRIPTION
 POSITION OF THE KEYING RIBS, POLARISATION RIBS AND THE LOCKING LATCH



PAY ATTENTION!
 DIFFERENT LOCKING LATCHES

ALL OTHER DIMENSIONS ARE SAME



- 1 CAVITY SUITABLE TO STANDARD TIMER CONTACTS LISTED IN PROD. SPEC: 108-18049, ITEM 3.3.2
Kammer geeignet für Standard Timer Kontakte gelistet in Prod. Spec. 108-18049, Punkt 3.3.2
- 2 LOCKING LATCH BETWEEN CAVITY NO.
Rasthaken zwischen Kammernummer
- 3 POLARIZATION RIB POSITION "a" OR POSITION "b", AT CAVITY NO..
Polarisierungsrippen (Lage "a") oder (Lage "b") versetzt bei Kammer Nr
- 4 KEYING RIB POSITION "c" OR POSITION "d", AT CAVITY NO..
Kodierungsrippen nach unten (Lage "c") oder oben (Lage "d") versetzt bei Kammernummer
- 5 AREA FOR TE LOGO ACC. TO SPEC 202-36
Bereich für TE Logo nach Spec. 202-36
- 6 WIDTH KEYING RIB BETWEEN CAVITY NO.
Breite Kodierrippe zwischen Kammer Nr.
- 7 SUITABLE TO TAB 6.3x0.8mm AND 4.8x0.8mm ACCORDING TO DIN 46244
Geeignet für Flachstecker 6.3x0.8mm und 4.8x0.8mm nach DIN 46244
- 8 MATING STOP BETWEEN CAVITY NO.1 AND 2, ALSO BETWEEN THE LAST AND THE LAST BUT ONE CAVITY
Tiefenanschlag zwischen Kammer Nr.1 und 2, ebenfalls zwischen der letzten und vorletzten Kammer
- 9 CONTACT CAVITY NO.
Kammernummer
- 10 DIMENSION A AND DIMENSION B SEE SHEET 2 OF 3
Maß A und Maß B siehe Blatt 2 von 3
- 11 MATED WITH TE CONNECTOR: SEE TABLE, SHEET 2 OF 3
Passender TE Gegenstecker: siehe Tabelle, Seite 2 von 3
- 12 GENERAL SUITABLE TAB HEADER HOUSING SEE RAST 5 PERFORMANCE
Generell passende Flachsteckerwanne, siehe RAST 5 Vorgabe
- 13 CONNECTION TO THE PC BOARD SEE DRAWING 88-9935-4
Leiterplattenanschluß siehe Zeichnung 88-9935-4
- 14 SEE TABLE, SHEET 2 OF 3
Siehe Tabelle, Blatt 2 von 3
- 15 MATERIAL CORRESPONDS TO THE REQUIREMENT EN 60335 (INCL. GLOW WIRE TEST 750°C WITHOUT FLAME)
- 16 WIRE TANGLING PROTECTION
- 17 WIRE TANGLING PROTECTION IN COMBINATION WITH CODING RIBS, ONLY VALID FOR VERSIONS 5-964702-3, 0-964702-3, 0-964702-1
- 18 KEYING ACC. TO RAST-5 STANDARD; COLOUR IS DIFFERENT
- 19 8 POS. SPECIAL VERSION WITH SWAGED KEYING RIB
- 20 SPECIAL MATERIAL PA66, UL 94 V0
- 21 DIMENSION "A" IS ACCEPTED WITHIN TOLERANCE +0.05/-0.20.
- 22 PRELIMINARY PART- NOT YET RELEASED FOR PRODUCTION
- 23 ONLY FOR PN 2178600-2, 3-2178600-2, 4-2178600-2, 5-2178600-2, TOLERANCE IS +0.4 -0.2, WORST CASE CAN BE OUT OF RAST STANDARD.
- 24 ONLY FOR PN 2178600-2, 3-2178600-2, 4-2178600-2, 5-2178600-2, TOLERANCE IS +0.4 -0.2
- 25 ONLY FOR PN 2178600-2, 3-2178600-2, 4-2178600-2, 5-2178600-2, TOLERANCE IS ±4°
- 26 ONLY FOR PN 3-1241965-5, 3-1241965-7 TOLERANCE IS +0.3 -0.2
- 27 ONLY FOR PN 3-1241965-5, 3-1241965-7 TOLERANCE IS +0.2 -0.2
- 28 ONLY FOR PN 3-1241965-5, 3-1241965-7 TOLERANCE IS +0.05 -0.2
- 29 OBSOLETE PART
- 30 ONLY FOR 4-1241965-7, TOLERANCE IS -0.3
- 31 ONLY FOR 4-1241965-7, TOLERANCE IS +0.2/-0.25
- 32 ONLY FOR 1-2178029-3, TOLERANCE IS +0.15/-0.2


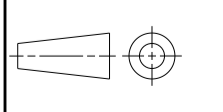
THIS DRAWING IS A CONTROLLED DOCUMENT.		DWN: Kishor M 18JUL2017		TE Connectivity	
DIMENSIONS: mm		CHK: K. Munz 07-NOV-06		NAME	
TOLERANCES UNLESS OTHERWISE SPECIFIED: ±0.2		APVD: Th. Klenner 07-NOV-06		PRODUCT SPEC	
1-PLC ±0.1		108-18049		APPLICATION SPEC	
2-PLC ±0.05		108-18049		APPLICATION SPEC	
3-PLC ±0.001		108-18049		APPLICATION SPEC	
4-PLC ±0.0001		108-18049		APPLICATION SPEC	
ANGLES FINISH		WEIGHT		RESTRICTED TO	
MATERIAL TBD		SCALE 5:1		SHEET 1 OF 4	
Customer Drawing		REV B35		REV 00779	

THIS DRAWING IS UNPUBLISHED. RELEASED FOR PUBLICATION 20
 © COPYRIGHT BY - ALL RIGHTS RESERVED.

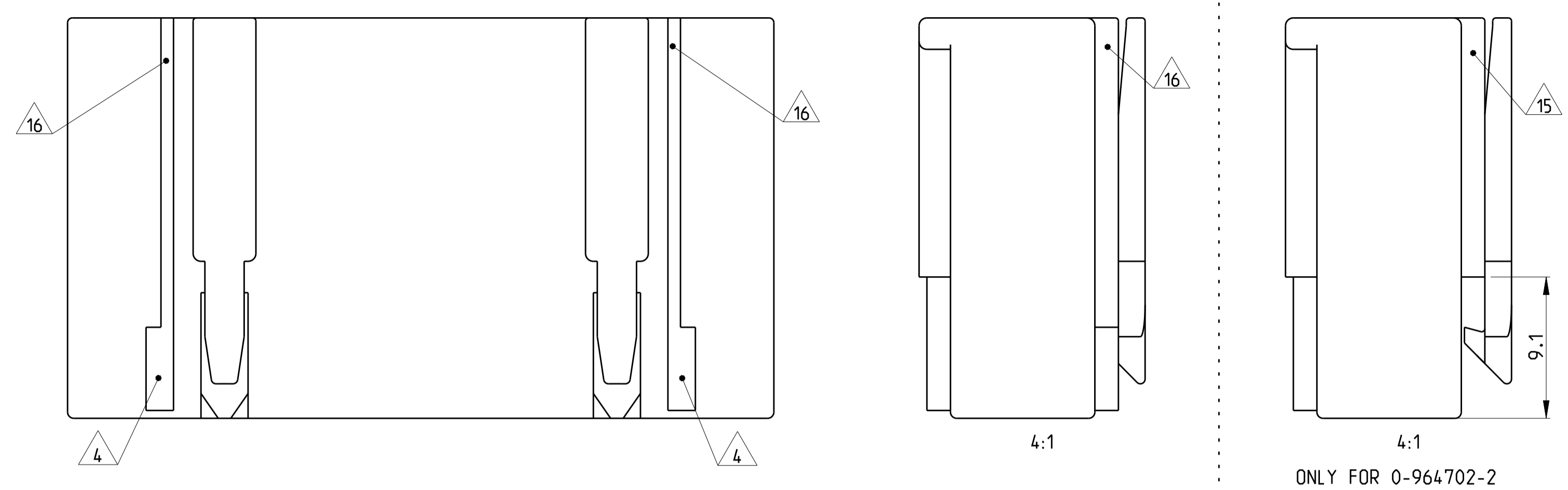
LOC	DIST	REVISIONS					
		P	LTR	DESCRIPTION	DATE	DWN	APVD
A1	-			SEE SHEET 1			

2322912-8	8	08-D	40	35	BLUE	PA66 UL94 V0 GW T 750	B	1	12 13
2322912-7	7	07-C	35	30	GREY		B	1	12 13
2322912-6	6	06-D	30	25	BLUE		B	1	12 13
2322912-3	3	-	15	10	YELLOW		B	1	12 13
2-2322912-2	2	02-A	10	5	NATURE		B	1	12 13
1-2322912-2	2	02-G	10	5	BLUE		B	1	12 13
2322912-2	2	02-C	10	5	GREY	B	1	12 13	
5-1241965-4	4	-	20	15	NATURAL	PA66 UL94 V0 GW T 750 CT1350	E	1	12 13
4-1241965-4	4	-	20	15	NATURAL		E	1	12 13
3-1241965-4	4	-	20	15	NATURAL		E	1	12 13
2-1241965-4	4	-	20	15	NATURAL		E	A	12 13
1-1241965-4	4	04-C	20	15	NATURAL		E	A	12 13
8-1241965-2	2	02-C	10	5	NATURAL		E	A	12 13
4-1241965-7	7	-	35	30	NATURAL		E	A	12 13
5-1241965-7	7	07-C	35	30	NATURAL		E	1	12 13
5-1241965-5	5	05-B	25	20	NATURAL		E	1	12 13
PART NO.	POS.	RAST 5	DIM A	DIM B	COLOUR	MATERIAL	LOCKING LATCH	REV.	MATED WITH
SPECIAL VERSION: UL94 V0 & GW T 750									

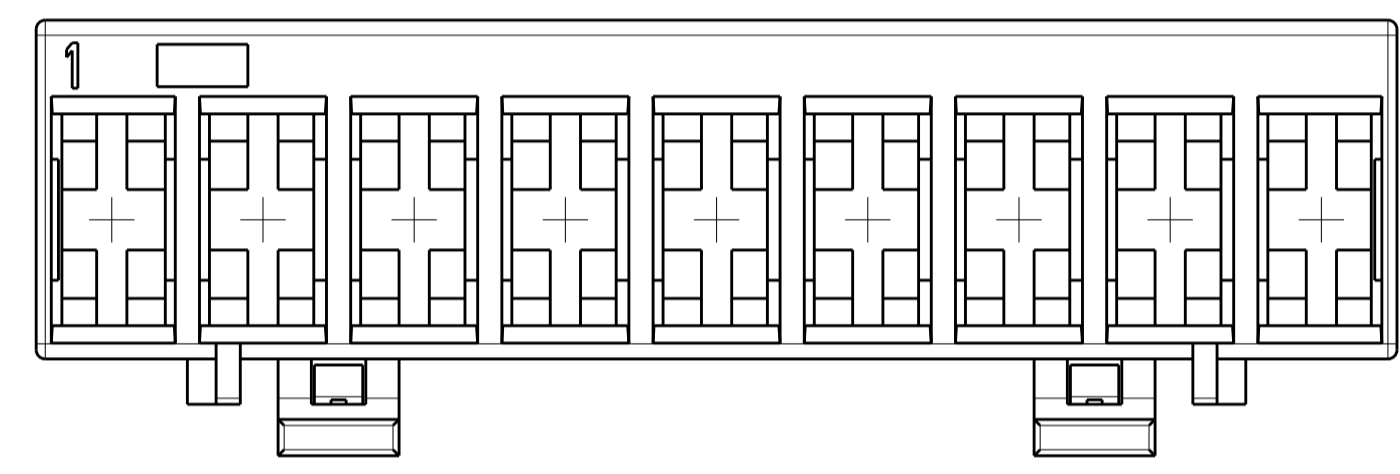
KEYING PLAN SEE SHEET 2 OF 4

THIS DRAWING IS A CONTROLLED DOCUMENT.		DWG: Kishor M 18 JUL 2017		 TE Connectivity	
DIMENSIONS: mm		CHK: K. Munz 07-NOV-06			
		TOLERANCES UNLESS OTHERWISE SPECIFIED:		NAME: Th. Klenner 07-NOV-06	
0 PLC ± 1 PLC ±0.1 2 PLC ±0.01 3 PLC ±0.001 4 PLC ±0.0001 ANGLES * FINISH *		PRODUCT SPEC: 108-18049 APPLICATION SPEC:		SIZE: A1 CAGE CODE: 00779 DRAWING NO: 1241965	
MATERIAL: TBD		WEIGHT: -		RESTRICTED TO: -	
Customer Drawing				SCALE: 5:1 SHEET 3 OF 4	

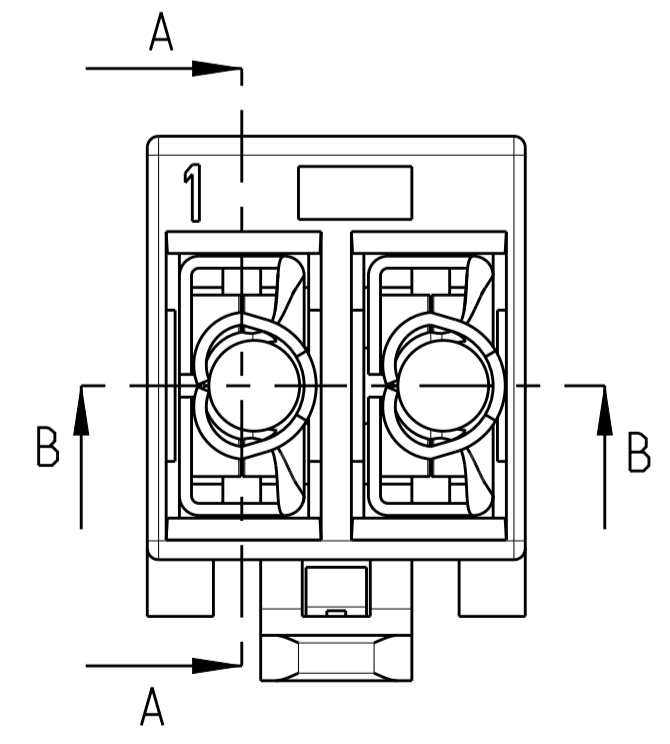
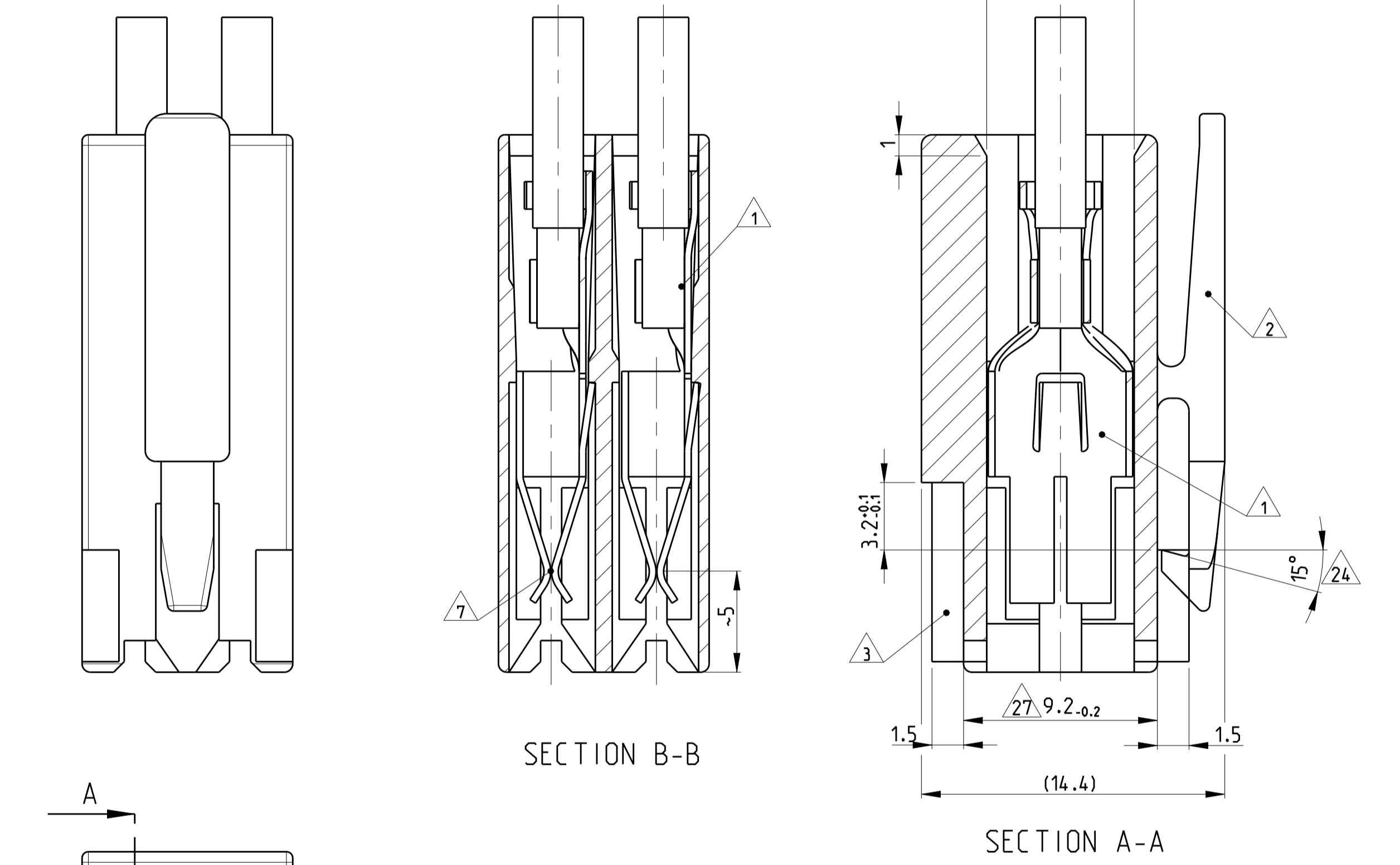
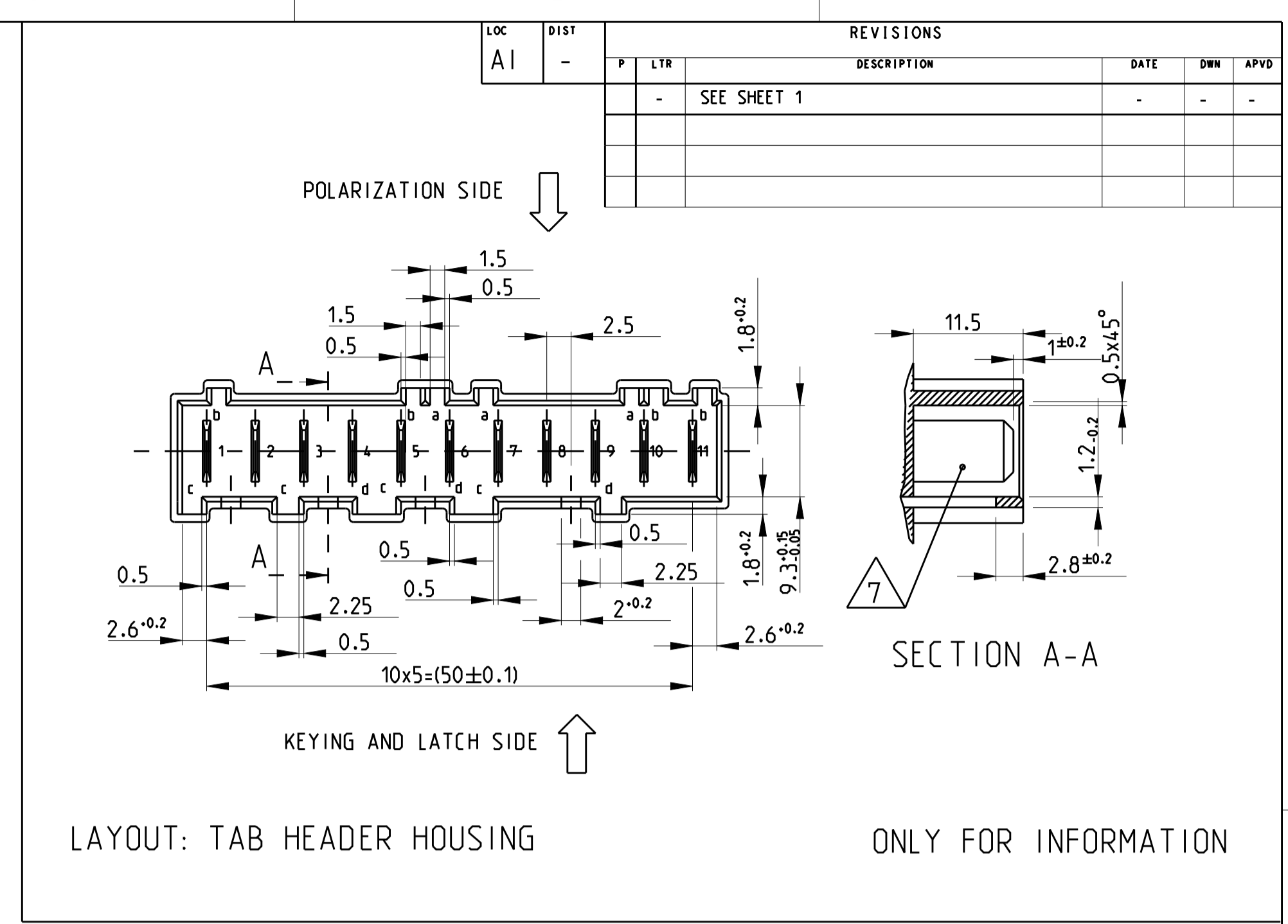
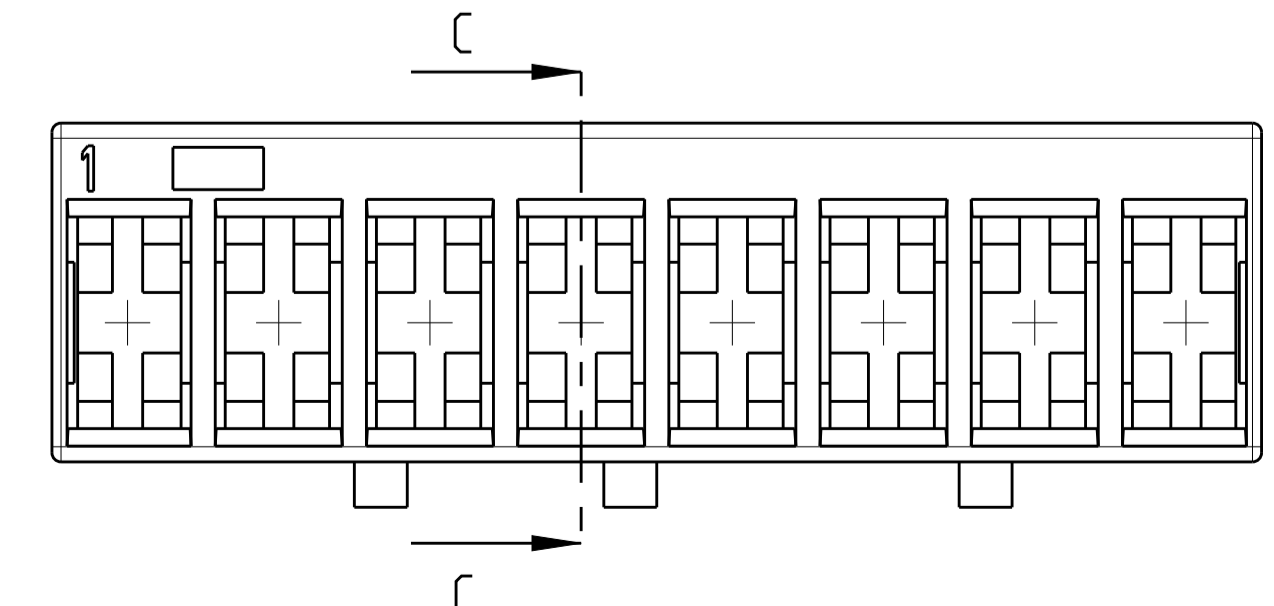
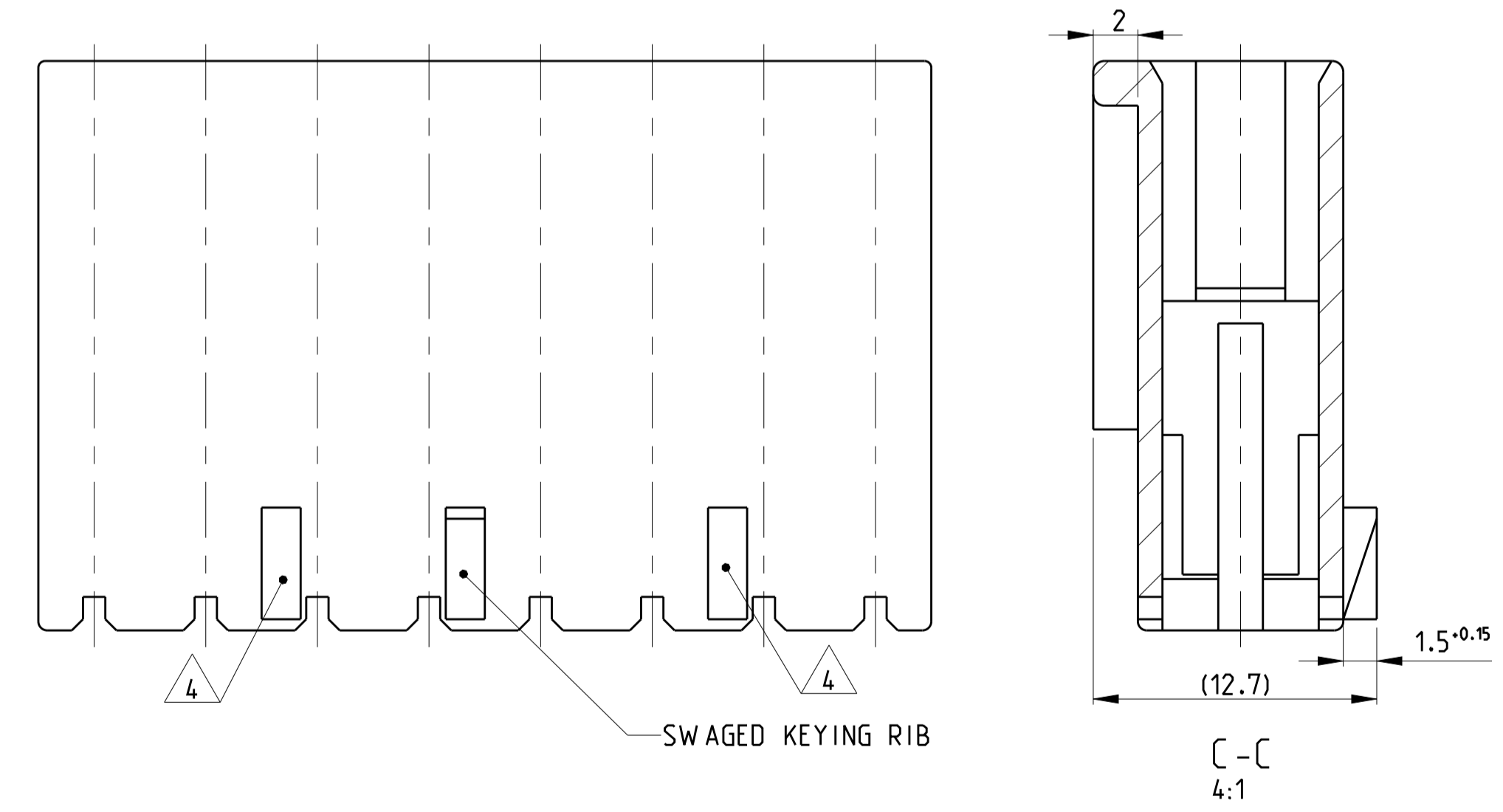
SPECIAL VERSIONS 15 16
 9 POS STD. TIMER HSG. WITH TANGLING PROTECTION




ONLY FOR 0-964702-2



SPECIAL VERSION 18
 8 POS SPECIAL STD. TIMER HSG.



THIS DRAWING IS A CONTROLLED DOCUMENT.		DRW: Kishor M 18 JUL 2017	 TE Connectivity
DIMENSIONS: mm		CHK: K. Munz 07-NOV-06	
TOLERANCES UNLESS OTHERWISE SPECIFIED: ±0.2		APVD: Th. Klenner 07-NOV-06	NAME: 2-12 POS. STANDARD TIMER HSG WITH EXTERIOR LOCKING
0-PLC ±0.1 1-PLC ±0.1 2-PLC ±0.05 3-PLC ±0.001 4-PLC ±0.0001		PRODUCT SPEC: 108-18049	SIZE: A1
MATERIAL: TBD		APPLICATION SPEC: -	CAGE CODE: 00779
ANGLES: -		FINISH: -	DRAWING NO: 1241965
WEIGHT: -		SCALE: 5:1	SHEET 4 OF 4
Customer Drawing		REV: B35	

Mouser Electronics

Authorized Distributor

Click to View Pricing, Inventory, Delivery & Lifecycle Information:

[TE Connectivity:](#)

[2-1241965-7](#)