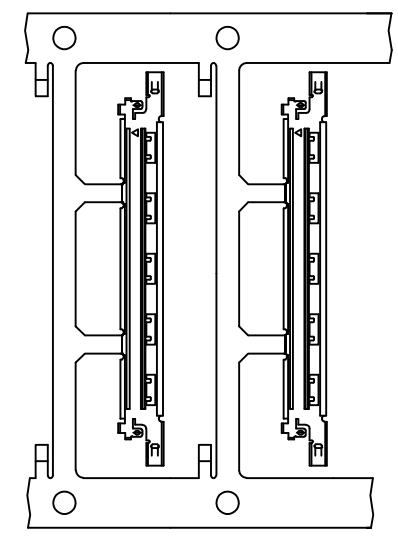
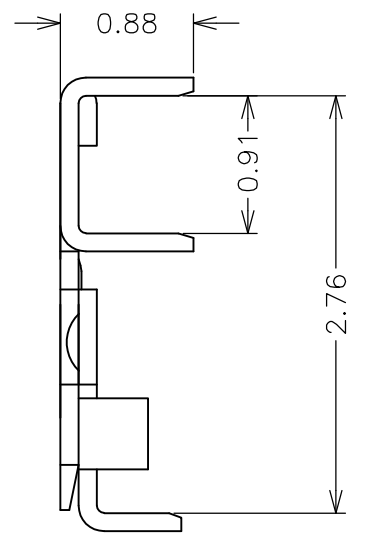
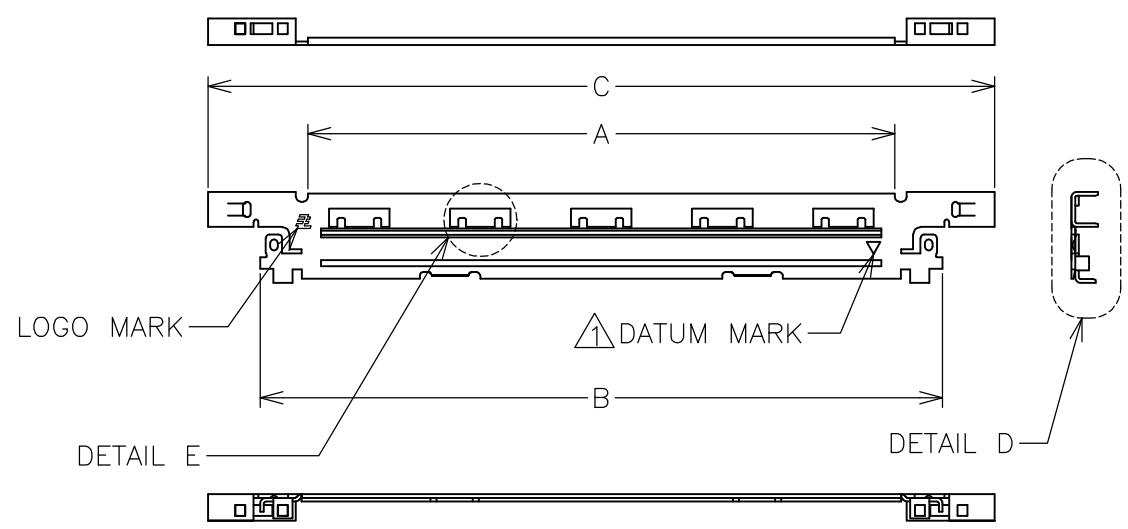


THIS DRAWING IS UNPUBLISHED. RELEASED FOR PUBLICATION

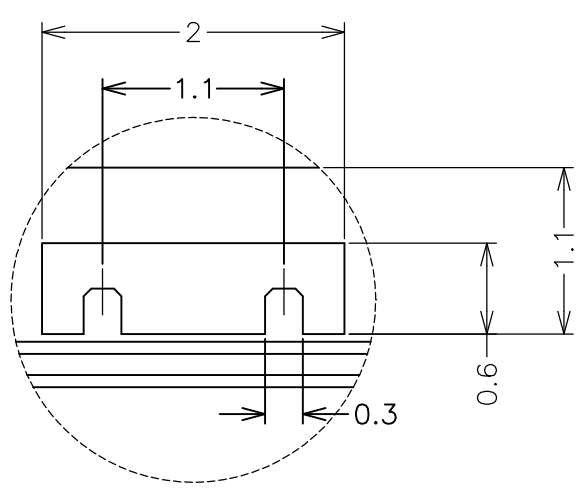
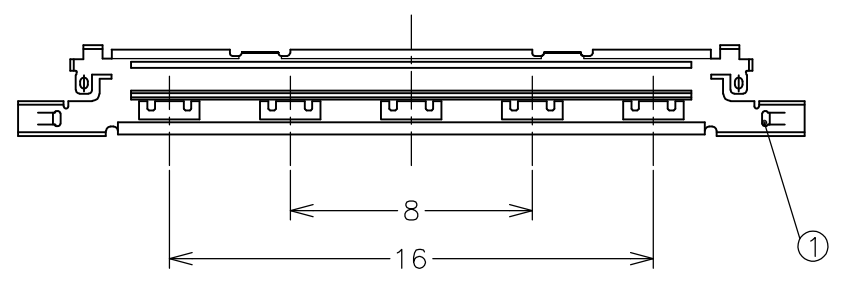
© COPYRIGHT BY TYCO ELECTRONICS CORPORATION. ALL RIGHTS RESERVED.

PART NO.	POS NO.	A	B	C	DATUM MARK \triangle	TOOLING STATUS
2023347-3	40	19.4	22.56	26	WITHOUT DATUM MARK	AVAILABLE
2023347-2	30	14.4	17.56	21		NOT AVAILABLE
2023347-1	20	9.4	12.56	16		NOT AVAILABLE
5-2023347-3	40	19.4	22.56	26	WITH DATUM MARK	AVAILABLE
5-2023347-2	30	14.4	17.56	21		NOT AVAILABLE
5-2023347-1	20	9.4	12.56	16		NOT AVAILABLE

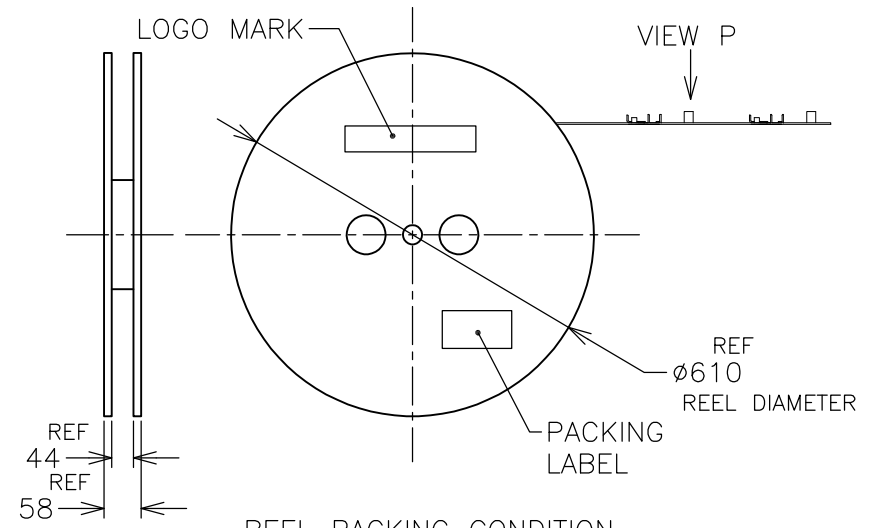
LOC	DIST	P	LTR	REVISIONS 変更	DESCRIPTION	DATE	DWN	APVD
J	/		A	RELEASED		18SEP2009	Y.S	S.K



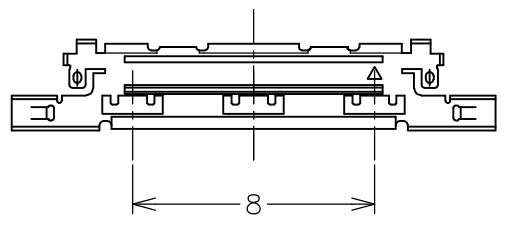
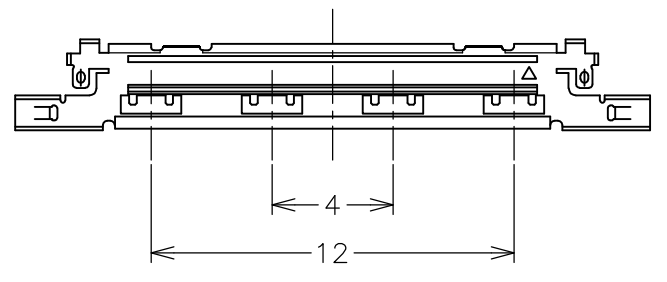
VIEW P
(SCALE 2:1)



DETAIL E
(SCALE 20:1)



REEL PACKING CONDITION
(SCALE REF.)



GENERAL TOLERANCE	
6 MAX.	±0.2
6 OVER MAX. 30	±0.3
30 OVER MAX. 120	±0.5
ANGLE	±2°

①	UPPER SHELL	COPPER ALLOY, Au OVER Ni
ITEM	PART NAME	MATERIAL & FINISH \triangle

THIS DRAWING IS A CONTROLLED DOCUMENT.		DWN Y.SHINO 18SEP2009	Tyco Electronics Corporation Kawasaki, Japan													
DIMENSIONS: 単位: 耗 mm		CHK S.KAJINUMA 18SEP2009														
TOLERANCES UNLESS OTHERWISE SPECIFIED: 一般公差		APVD S.KAJINUMA 18SEP2009	NAME 名称 LCD COAXIAL EMBEDDED DISPLAY INTERFACE (LCEDI) 0.5mm PITCH CONNECTOR PLUG UPPER SHELL													
<table border="1"> <tr><td>0 RLC</td><td>±</td></tr> <tr><td>1 PLC</td><td>±</td></tr> <tr><td>2 PLC</td><td>±</td></tr> <tr><td>3 PLC</td><td>±</td></tr> <tr><td>4 PLC</td><td>±</td></tr> <tr><td>ANGLES</td><td>±</td></tr> </table>		0 RLC	±	1 PLC	±	2 PLC	±	3 PLC	±	4 PLC	±	ANGLES	±	PRODUCT SPEC 製品規格 108-78659	SIZE A3 CAGE CODE 00779	
0 RLC	±															
1 PLC	±															
2 PLC	±															
3 PLC	±															
4 PLC	±															
ANGLES	±															
MATERIAL 材料		APPLICATION SPEC 取付適用規格 114-5456	DRAWING NO 番号 G-2023347													
FINISH 仕上		WEIGHT	RESTRICTED TO													
- \triangle		CUSTOMER DRAWING		SCALE 尺度 4:1												
				SHEET 1 OF 1												
				REV A												

Mouser Electronics

Authorized Distributor

Click to View Pricing, Inventory, Delivery & Lifecycle Information:

[TE Connectivity:](#)

[5-2023347-3](#)