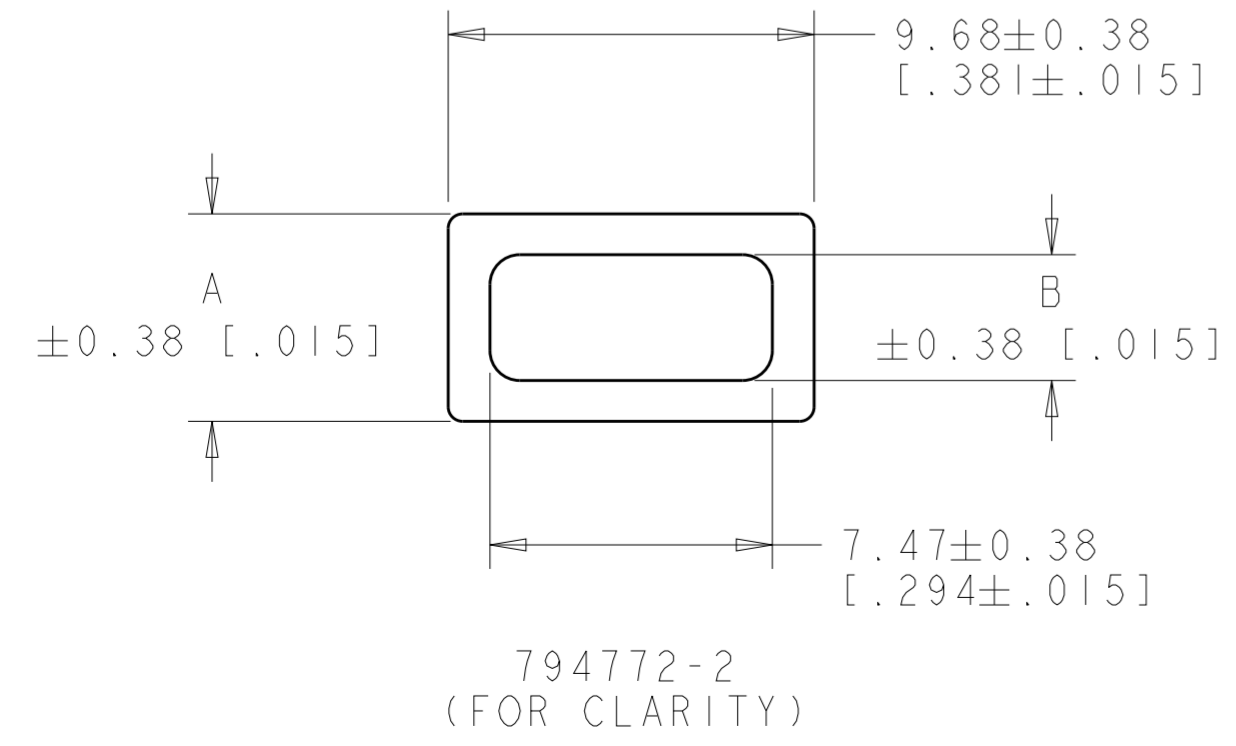
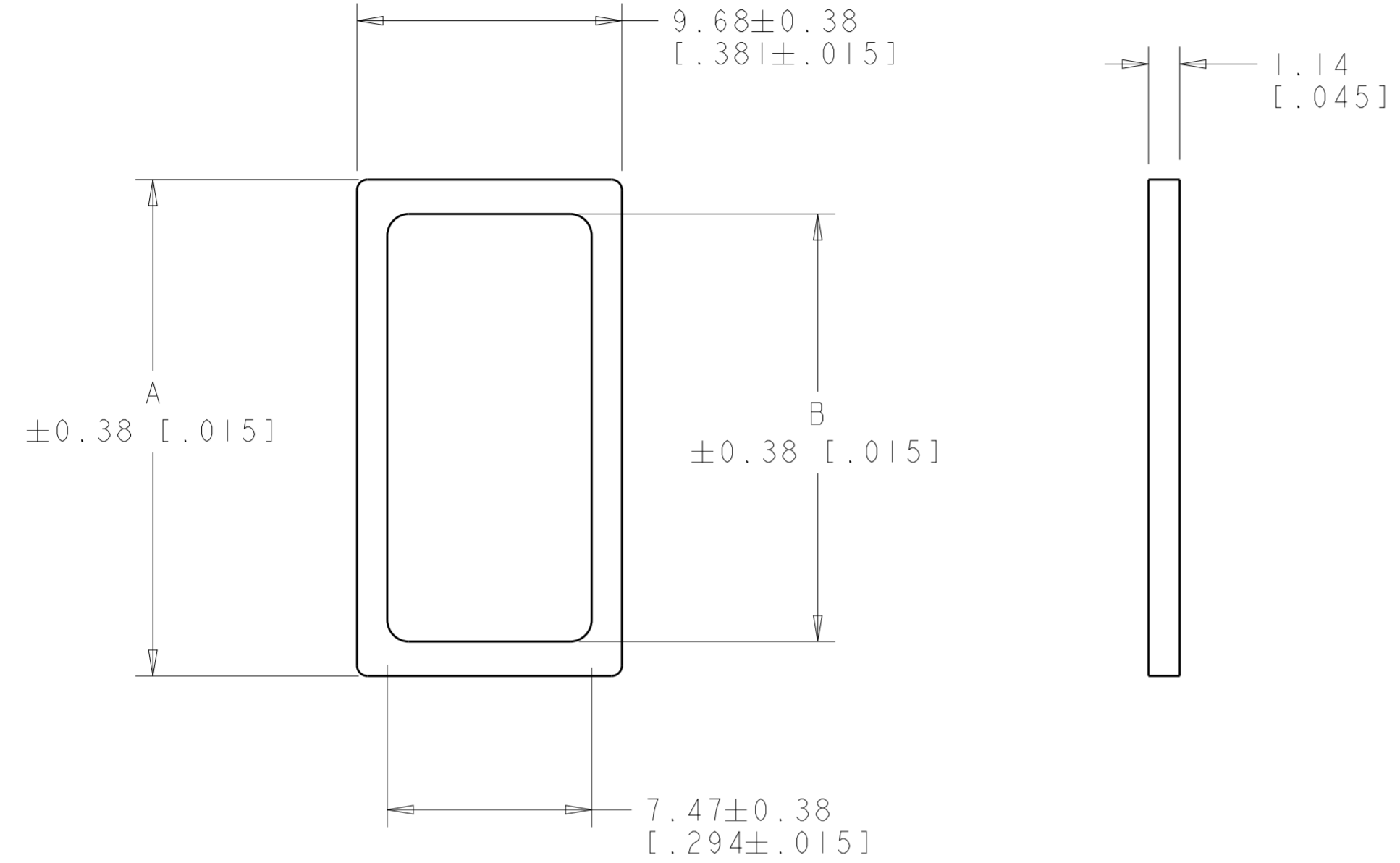


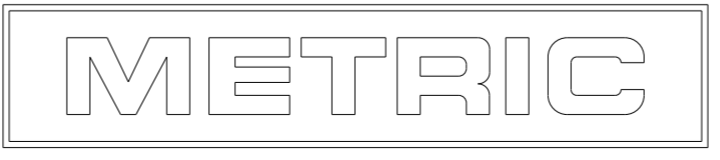
THIS DRAWING IS UNPUBLISHED. RELEASED FOR PUBLICATION 20
 © COPYRIGHT 20 ALL RIGHTS RESERVED.

LOC	DIST	REVISIONS					
CM	00	P	LTR	DESCRIPTION	DATE	DWN	APVD
		C		REVISED PER ECO-09-028095	21DEC2009	HMR	MS
		CI		REVISED PER ECR-15-003909	23MAR2015	AV	DZ

- 1 MATERIAL: DIECUT URETHANE FOAM, 50 SHORE A DUROMETER.
- 2 PRELIMINARY PART NUMBER.
- 3 MATERIAL: DIECUT URETHANE FOAM, 30 SHORE A DUROMETER.



NOTE	VOLUME IN ³	DIM B	DIM A	POSN	PART NO.
2/3	.009	48.86 [1.924]	51.13 [2.013]	24	4-794772-3
2/3	.008	44.72 [1.761]	46.99 [1.850]	22	4-794772-2
2/3	.008	40.58 [1.598]	42.84 [1.687]	20	4-794772-1
2/3	.007	36.49 [1.435]	38.70 [1.524]	18	4-794772-0
2/3	.007	32.30 [1.272]	34.56 [1.361]	16	3-794772-9
2/3	.006	28.16 [1.109]	30.42 [1.198]	14	3-794772-8
2/3	.005	24.02 [0.946]	26.28 [1.035]	12	3-794772-7
2/3	.005	19.89 [0.783]	22.15 [0.872]	10	3-794772-6
2/3	.004	15.75 [0.620]	18.01 [0.709]	8	3-794772-5
2/3	.003	11.61 [0.457]	13.87 [0.546]	6	3-794772-4
3	.003	7.47 [0.294]	9.68 [0.381]	4	3-794772-3
2/3	.002	3.33 [0.131]	5.49 [0.216]	2	3-794772-2
1/2	.009	48.86 [1.924]	51.13 [2.013]	24	2-794772-4
1/2	.008	44.72 [1.761]	46.99 [1.850]	22	2-794772-2
1/2	.008	40.58 [1.598]	42.84 [1.687]	20	2-794772-0
1/2	.007	36.49 [1.435]	38.70 [1.524]	18	1-794772-8
1/2	.007	32.30 [1.272]	34.56 [1.361]	16	1-794772-6
1/2	.006	28.16 [1.109]	30.42 [1.198]	14	1-794772-4
1/2	.005	24.02 [0.946]	26.28 [1.035]	12	1-794772-2
1	.005	19.89 [0.783]	22.15 [0.872]	10	1-794772-0
1	.004	15.75 [0.620]	18.01 [0.709]	8	794772-8
1	.003	11.61 [0.457]	13.87 [0.546]	6	794772-6
1	.003	7.47 [0.294]	9.68 [0.381]	4	794772-4
1	.002	3.33 [0.131]	5.49 [0.216]	2	794772-2



THIS DRAWING IS A CONTROLLED DOCUMENT.

DIMENSIONS: mm [INCHES]

TOLERANCES UNLESS OTHERWISE SPECIFIED:

0 PLC	±
1 PLC	±
2 PLC	±0.13 [0.005]
3 PLC	±
4 PLC	±
ANGLES	±
FINISH	±

MATERIAL: 1

APVD: C JONES 01FEB2001

CHK: C JONES 01FEB2001

DWN: K WHITAKER 01FEB2001

STE TE Connectivity

NAME: PERIMETER INTERFACE SEAL, MINI UNIVERSAL MATE-N-LOK(TM)

SIZE: A2

CAGE CODE: C-794772

DRAWING NO: C-794772

RESTRICTED TO: -

CUSTOMER DRAWING

SCALE: 5:1

SHEET 1 OF 1

REV: C1

Mouser Electronics

Authorized Distributor

Click to View Pricing, Inventory, Delivery & Lifecycle Information:

[TE Connectivity:](#)

[794772-2](#)