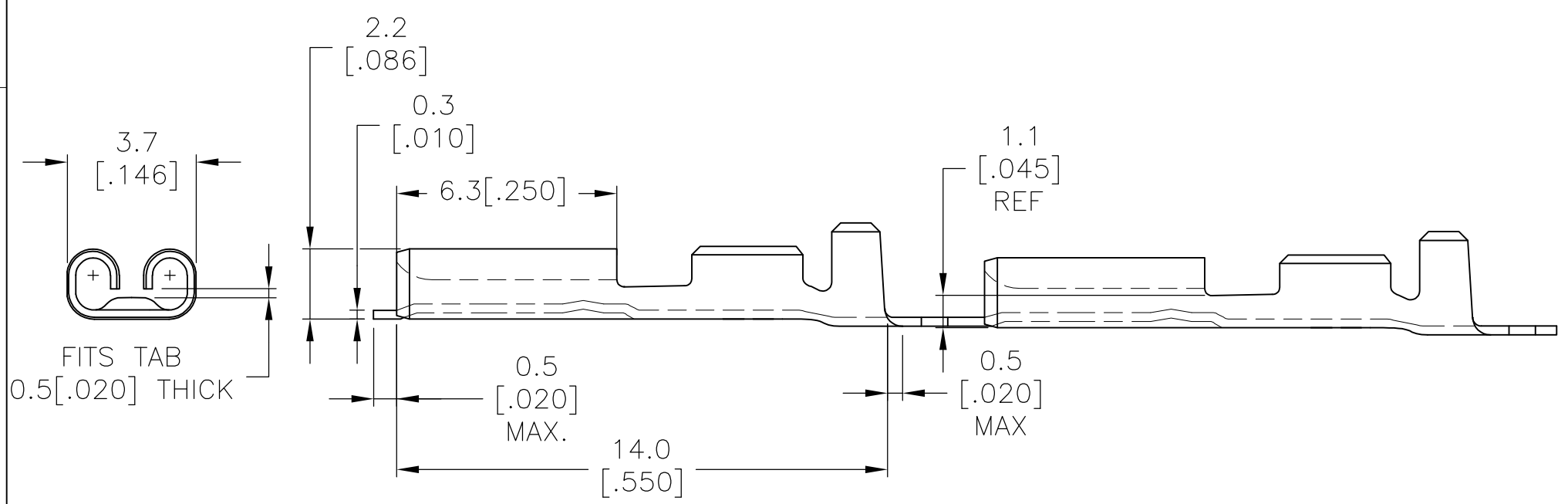
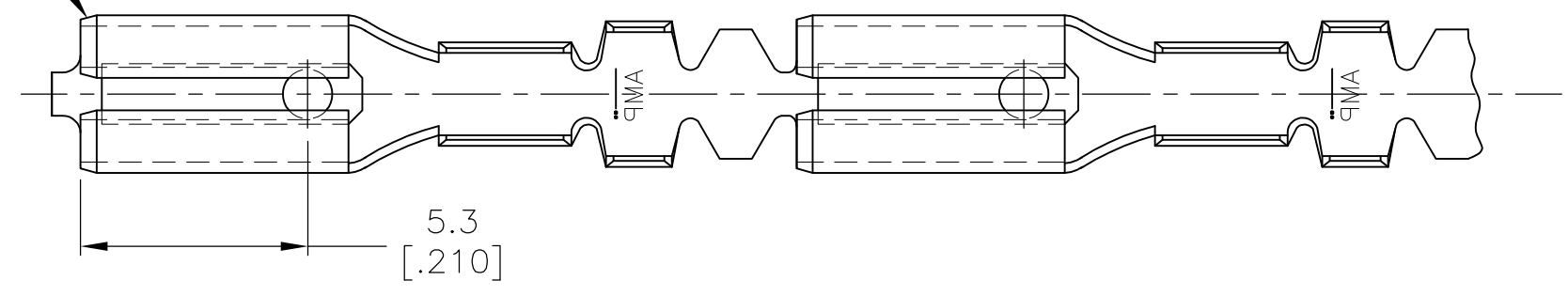


THIS DRAWING IS UNPUBLISHED. RELEASED FOR PUBLICATION
 © COPYRIGHT - By - ALL RIGHTS RESERVED.


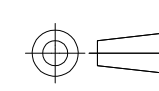
REVISIONS					
P	LTR	DESCRIPTION	DATE	DWN	APVD
	F3	REVISED PER ECO-17-005565	24APR2017	RS	HG
	F4	REVISED PER ECO-17-014469	31OCT2017	HG	TD

- △1 SPLICE FREE, FOR AMP_O_MATOR.
- △2 REELED WITH PAPER LAYER.
- △3 OBSOLETE PARTS: OBSOLETE CIS STREAMLINING PER D.RENAUD/D.SINISI

CHAMFER



FINISH	MATERIAL	PART NUMBER
TIN	BRASS △2	6-160316-4
TIN-LEAD	PHOSPHORBRONZE	6-160316-3
TIN-LEAD	BRASS	6-160316-2
PRE-TIN HOT DIP	PHOSPHORBRONZE	6-160316-0
TIN △1	BRASS	5-160316-9
NONE △1	BRASS	5-160316-8
GOLD	PHOSPHORBRONZE	5-160316-7
TIN △3	PHOSPHORBRONZE	5-160316-6
NONE	PHOSPHORBRONZE	5-160316-5
GOLD △3	BRASS	5-160316-4
SILVER	BRASS	5-160316-3
TIN	BRASS	5-160316-2
NONE	BRASS	5-160316-1

THIS DRAWING IS A CONTROLLED DOCUMENT.		DWN D.KESSLER 11-04-94	 TE Connectivity			
DIMENSIONS: mm [INCHES]		CHK P.BEIJNON				
TOLERANCES UNLESS OTHERWISE SPECIFIED: 0 PLC ± 1.0 1 PLC ± 0.5 2 PLC ± 0.2 3 PLC ± - 4 PLC ± - ANGLES ± 1°		APVD L.V. SOEST	NAME			
		PRODUCT SPEC	.110 SRS FASTON RECEPTACLE			
MATERIAL		APPLICATION SPEC	SIZE	CAGE CODE	DRAWING NO	RESTRICTED TO
WIRE RANGE : 0.3-0.56mm ² (22-20 AWG)	INSUL-RANGE : Ø1.0-2.0 (Ø.050-.080)	WEIGHT	A3	00779	C-160316	-
CUSTOMER DRAWING			SCALE	SHEET	REV	
			6:1	1 OF 1	F4	

Mouser Electronics

Authorized Distributor

Click to View Pricing, Inventory, Delivery & Lifecycle Information:

[TE Connectivity:](#)

[5-160316-2](#)