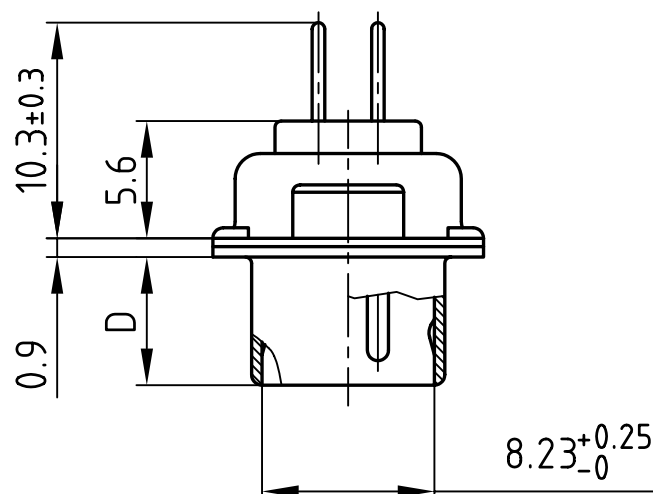
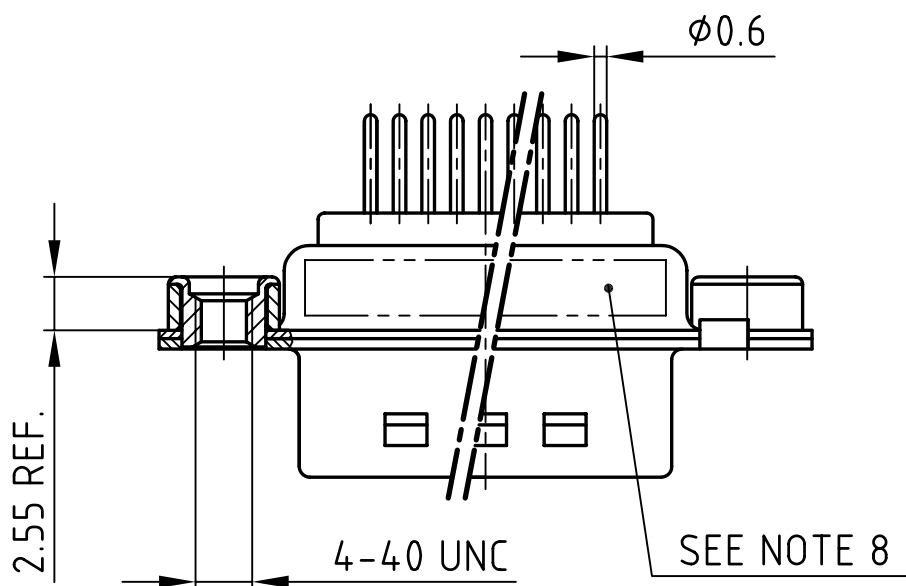
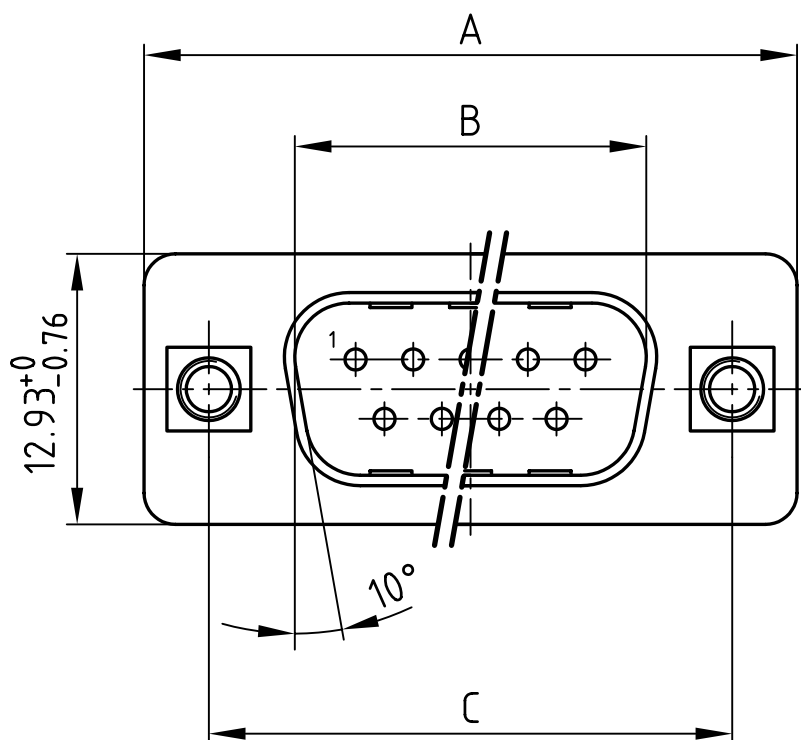


used for: D-SUB

POS.	A <sup>-0.76</sup>	B <sup>+0.25</sup>	C	D <sup>-0.3</sup>	PART NO.
9	31.19	16.79	25.00 <sup>+0.12</sup> <sub>-0.13</sub>	6.12	163A11369X
15	39.52	25.12	33.30 <sup>+0.15</sup> <sub>-0.1</sub>	6.12	163A11379X
25	53.42	38.84	47.04 <sup>±0.13</sup>	5.99	163A11389X
37	69.70	55.30	63.50 <sup>±0.13</sup>	5.99	163A11399X



Directive 2002/95/EC  
"RoHS"  
Compliant

NOTES:

- METALSHELLS: STEEL; min. 320µin TIN
- INSULATORS: PBT GF UL 94 V-0, BLACK
- CONTACTS: COPPER ALLOY  
PLATING: min. 8µin HARD GOLD over min. 50µin NICKEL
- THREADED INSERT: COPPER ALLOY; min. 200µin TIN over 80µin NICKEL
- COLLAR: COPPER ALLOY; min. 200µin TIN over 80µin NICKEL
- P.C.B. HOLE DRILLINGS ON DRAWING NO.: 16K111UA
- MAXIMUM TORQUE VALUE FOR THREAD: 6 in.LB
- CONNECTOR IS PART MARKED: PART-NO. CONEC ABC

APPROVAL # FREIGABE # DEBLOCAGE # AUTORIZACION # APPROVAL	
CUSTOMER APPROVAL DATE:	
NAME:	TITLE:
COMPANY NAME:	
APPROVAL # FREIGABE # DEBLOCAGE # AUTORIZACION # APPROVAL	

THIS DRAWING MAY NOT BE COPIED OR REPRODUCED IN ANY WAY, AND MAY NOT BE PASSED ON TO A THIRD PARTY WITHOUT WRITTEN PERMISSION.  
 OWNERSHIP AND COPYRIGHT OF CONEC GmbH  
 DO NOT ALTER CAD DRAWING BY HAND

tolerance				scale: 2:1
				material: SEE NOTES
2002	date	name		title: <b>D-SUB MALE</b> 9-37pos. SOLDER PIN STRAIGHT with threaded insert
drawn	28.06.	Parei		
appd.	28.06.	E. Mickenbecker		
norm	DIN 41652			
d-old				
a	Origin			dwg no: AutoCAD 2000 <b>16K1A696</b> DIN-A 4 sh: 1/1
rev.	description	date	name	part no: SEE TABLE

F  
E  
D  
C  
B  
A

F  
E  
D  
C  
B  
A

4 3 2 1

4 3 2 1

# Mouser Electronics

Authorized Distributor

Click to View Pricing, Inventory, Delivery & Lifecycle Information:

[CONEC:](#)

[163A11369X](#) [163A11389X](#)