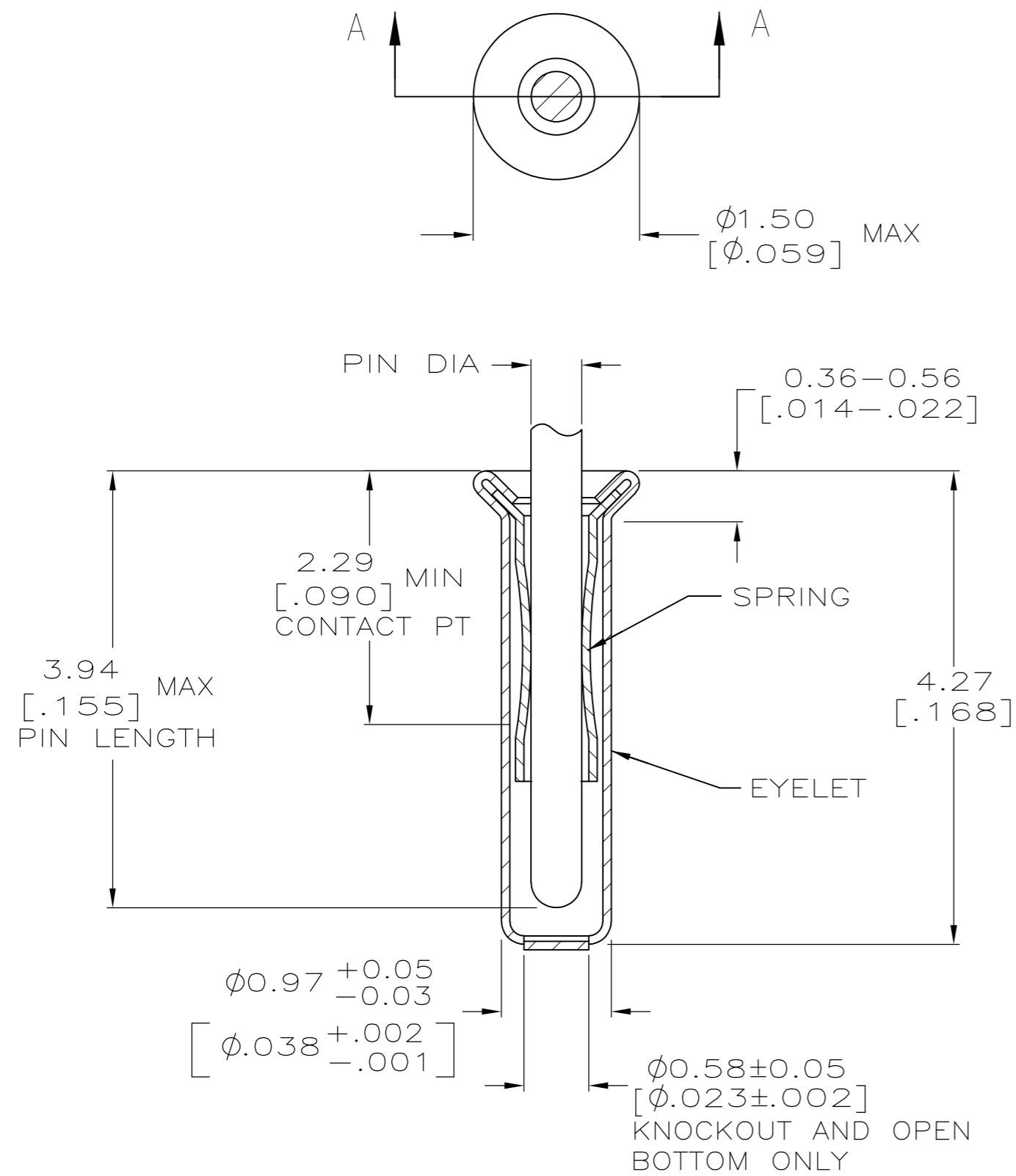


THIS DRAWING IS UNPUBLISHED. RELEASED FOR PUBLICATION  
 © COPYRIGHT - By - ALL RIGHTS RESERVED.

LOC	DIST	REVISIONS			
P	LTR	DESCRIPTION	DATE	DWN	APVD
GP	00	AC2	REVISED PER ECO-11-004835	11MAR11	RK HMR



SECTION A-A

- 1. TIN PER MIL-T-10727 OR TIN LEAD .000254 [.000100] MIN THK.
- 2. GOLD PER MIL-G-45204, TYPE II, 0.00076 [.000030] MIN THK OVER NICKEL PER QQ-N-290 0.00028 [.000011] MIN THK ON CONTACT AREA.
- 3. GOLD FLASH PER MIL-G-45204, TYPE II, 0.13µm [.000005] MIN THK. OVER NICKEL PLATE PER QQ-N-290 0.51µm-1.52µm [.000020-.000060] EXT THK.
- 4. RECOMMENDED HOLE SIZE, PLATED OR UNPLATED:  
 MACHINE INSERTION: 1.04±0.05 [.041±.002]  
 HAND INSERTION: 1.02 <sup>+0.10</sup>/<sub>-0.00</sub> [.040 <sup>+0.004</sup>/<sub>-0.000</sub>]
- 5. APPLICATION TOOL PART NUMBER:  
 MACHINE NO. 682127-2  
 INSERTION HEAD NO. 682039-1
- 6. TO INSURE PROPER SPRING TENSION DO NOT EXCEED A 0.10 [.004] DIFFERENCE IN PIN DIA WHEN CHANGING TO A SMALLER PIN.
- 7. BOTTOM PLUG KNOCKOUT TOOL PART NUMBER 69729 WITH TIP PART NUMBER 69728.
- 8. TIN PER ASTM B 545, .000254 [.000100] MIN THK.

THIS DRAWING IS A CONTROLLED DOCUMENT.	DWN	20SEP2005	FINISH		PART NO
SUPSD BY 50935-1	R. TALLEY		TIN 8	TIN 8	6-50935-2
			TIN 1	GOLD 2	50935-9
			GOLD 3	TIN 1	50935-8
			TIN 1	GOLD 2	50935-6
			TIN 1	TIN 1	50935-5
			GOLD 3	GOLD 2	50935-4
			GOLD 3	TIN 1	50935-2
			GOLD 3	GOLD 2	50935-1
			EYELET	SPRING	50935
			RECOMMENDED PIN DIA 6		

OBSOLETE  
 OBSOLETE  
 OBSOLETE

DIMENSIONS: INCHES		TOLERANCES UNLESS OTHERWISE SPECIFIED:		DWN R. TALLEY 20SEP2005		TE Connectivity	
0 PLC ± -		1 PLC ± -		CHK -		NAME	
2 PLC ± -		3 PLC ± 0.20 [.008]		APVD -		MINIATURE SPRING SOCKET ASSEMBLY SERIES 1	
4 PLC ± -		ANGLES ± -		PRODUCT SPEC -		SIZE CAGE CODE DRAWING NO	
MATERIAL BE CU		FINISH -		APPLICATION SPEC -		A2 00779 C=50935	
				WEIGHT -		RESTRICTED TO	
				CUSTOMER DRAWING		SCALE 20:1 SHEET 1 OF 1 REV AC2	

# Mouser Electronics

Authorized Distributor

Click to View Pricing, Inventory, Delivery & Lifecycle Information:

[TE Connectivity:](#)

[50935-6](#)