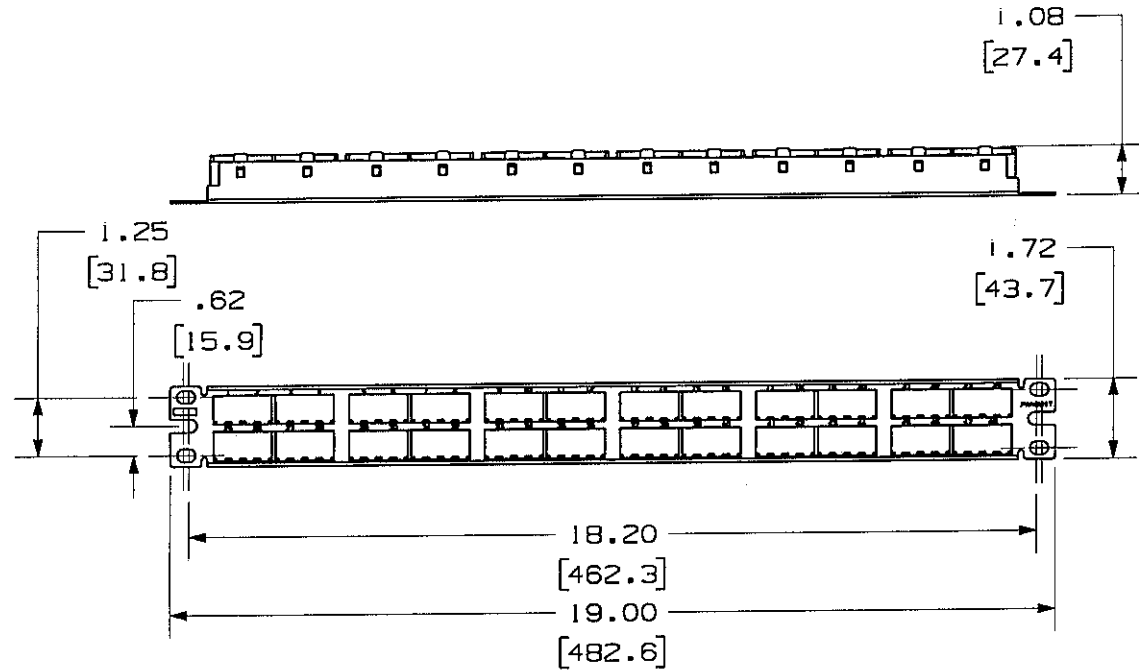


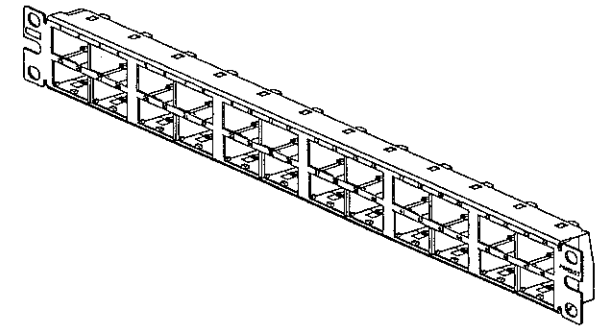
THIS COPY IS PROVIDED ON A RESTRICTED BASIS AND IS NOT TO BE USED IN ANY WAY DETRIMENTAL TO THE INTERESTS OF PANDUIT CORP.



PANDUIT P/N	WEIGHT
CPP48HDWBLY	6.15 LB/10 PCS (2788.0 g/10 PCS)

NOTES:

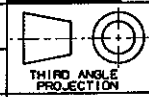
- SEE CURRENT CATALOG FOR VARIOUS APPLICATIONS WITH THIS WIRING SYSTEM.
- THE HIGH DENSITY PATCH PANEL IS DESIGNED FOR MOUNTING TO 19" UNIVERSAL RACKS.
- PACKAGE CONTENTS:
 - (1) -48 PORT STAMPING
 - (6) -8 POSITION FACEPLATE (ASSEMBLED TO PANEL)
 - (1) -SCREW KIT (INCLUDES FOUR #12-24 SCREWS)
 - (1) -SCREW KIT (INCLUDES FOUR M6 SCREWS)
- DIMENSIONS IN PARENTHESIS ARE IN METRIC.



MODEL FILENAME	M01348AA_CPP48HD_ASMBL_08.PRT	SIZE	A
DRAWING FILENAME	M02479DA_DC81_00A.PRT		

NETWORK SYSTEMS
 NETWORK SYSTEMS
 MAY 26 2006
 ENGINEERING DEPT

MINI-COM 48 PORT HIGH DENSITY MODULAR PATCH PANEL CUSTOMER DRAWING



ALL DIMENSIONS ARE GIVEN IN INCHES, UNLESS OTHERWISE SPECIFIED.
 DIMENSIONAL TOLERANCES ARE:
 (.X) ± (.XXX) ± (.0101.3)
 (.XX) ± (.031.8) ANGLES ±

I.I. NUMBER	N/A
PRODUCT SPEC	N/A
WORK INSTRUCTION	N/A
SCALE	NONE
PART NO.	CPP48HDWBLY
DRAWING NO.	02479-081

REV	DATE	BY	CHK	DESCRIPTION	ECN	R	CUST	SUP	OTH
R	3-11-06	JsP	MMO	RELEASED TO PRODUCTION	02479-081				

DRAWN BY	JsP
DATE	3-11-06
CHK'D	MMO
MATERIAL	STAMPING- 18 GAGE C.R.S. FACEPLATE- ABS

Mouser Electronics

Authorized Distributor

Click to View Pricing, Inventory, Delivery & Lifecycle Information:

[Panduit:](#)

[CPP48HDWBL Y](#)